

36 627 706 Product version up to 10/14/2020



- with CASCADE structure
- rosette 60 x 60 mm
- with cold marking
- head part with cut-to-length spindle and sleeve
- WRAS

Required miscellaneous



Wall valve 1/2" -

35 607 970 90

- min. recess depth 105 mm
- max. recess depth 150 mm

36 627 706 Product version up to 10/14/2020

mm [inches]



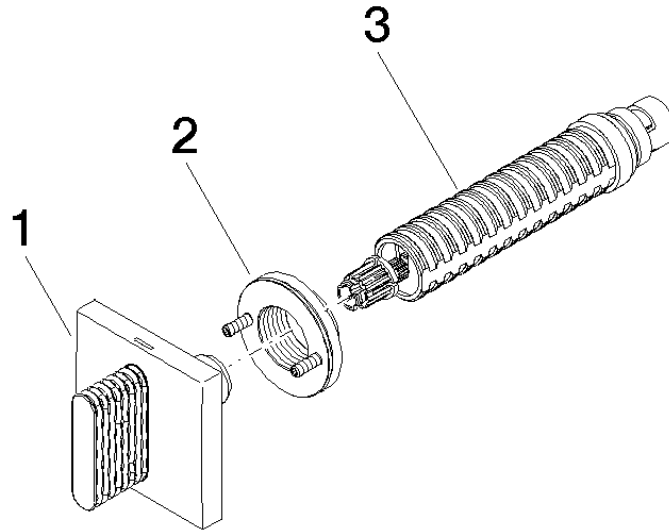
Codes & Standards

| | | | |
|----------------|------|--------|---------------------------|
| ASME A112.18.1 | cUPC | EN 200 | Scottish Water Byelaws |
|----------------|------|--------|---------------------------|

UK Water Supply
Regulations

Certificates and sustainability

| | | | |
|---------------------|-----------|--------------|--|
| DVGW_DW- 6501DN0 | WRAS_2010 | IAPMO_4976 (| EPD-DOR-20230287 -IBA1-EN Environmental.prod uct-declarat |
|---------------------|-----------|--------------|--|



Spare parts list

| No. | Item Number | Name | Quantity used | Delivery time |
|-----|--------------------|---|---------------|---------------|
| 2 | 90 21 02 108 00 90 | Wall disc complete - | 1.00 | 14 |
| 3 | 90 90 03 143 00 90 | Head part clockwise closing 1/2" - | 1.00 | 14 |
| 1 | 90 20 70 053 02-99 | Handle for concealed wall mounting Cold oval step 60 x 60 x 40 mm - Brushed Dark Platinum | 1.00 | 40 |