

28 450 370 Product version up to 7/6/2018



- 1/2" shower outlet
- rosette Ø 60 mm
- 1/2" connection
- WRAS

Intrinsic protection against back flow.

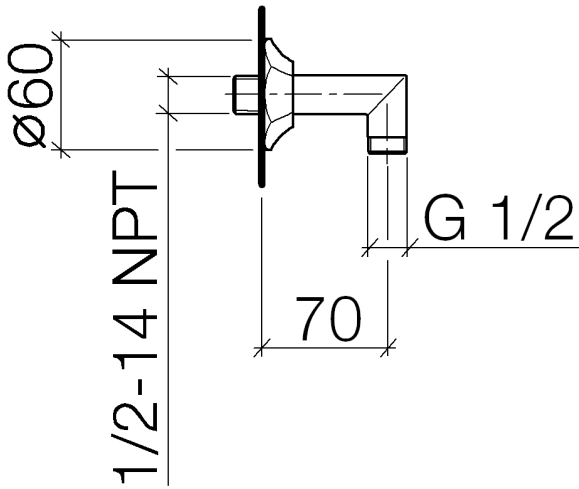
| | | |
|---|-------------------------------|---------------|
|  | Brushed Platinum | 28 450 370-06 |
|  | Chrome | 28 450 370-00 |
|  | Platinum | 28 450 370-08 |
|  | Durabrand (23kt Gold) | 28 450 370-09 |
|  | Brushed Durabrand (23kt Gold) | 28 450 370-28 |
|  | Brushed Dark Brass (PVD) | 28 450 370-39 |
|  | Brushed Bronze (PVD) | 28 450 370-42 |
|  | Brushed Dark Platinum | 28 450 370-99 |

Recommended miscellaneous

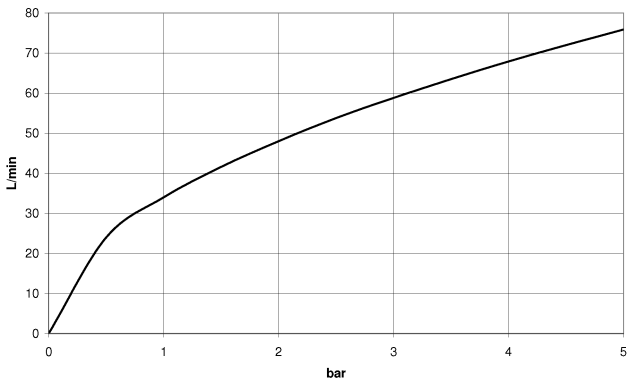
- Concealed wall elbow -** 35 085 970 90
- min. recess depth 90 mm
 - max. recess depth 163 mm



28 450 370 Product version up to 7/6/2018



Flow rate chart



Codes & Standards

EN 1717

Scottish Water
Byelaws

UK Water Supply
Regulations



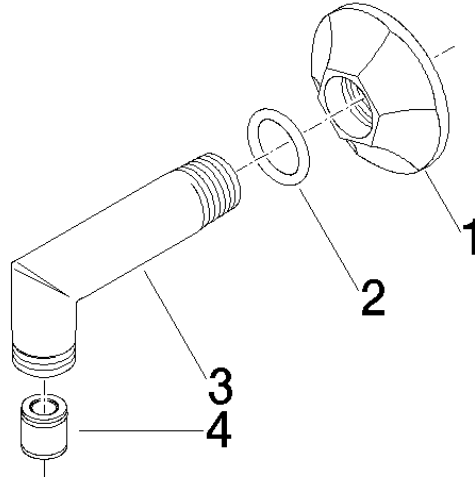
MADISON Wall elbow - Brushed Platinum

MADISON

28 450 370 Product version up to 7/6/2018

Certificates and sustainability

Belgaqua_21-381-2 WRAS_240502



Spare parts list

| No. | Item Number | Name | Quantity used | Delivery time |
|--|--------------------|---|---------------|---------------|
| 1 | 09 27 37 003-06 | Rosette Ø 60,6 x 17,3 mm - Brushed Platinum | 1.00 | - |
| Spare part can no longer be ordered, please order the replacement item | | | | |
| 3 | 09 11 03 021-06 | Connection 93,5 x 42,5 x 21 mm - Brushed Platinum | 1.00 | 20 |
| 4 | 90 23 01 040 00 90 | Back-flow preventer Check valve cartridge, DW15 - | 1.00 | 14 |
| 2 | 90 14 10 026 00 90 | O-Ring 20,5 x 3,5 mm - | 1.00 | 14 |