

Showerpipe with shower thermostat with hand shower set 220 mm - Brushed Dark Bronze (PVD)

SERIES SPECIFIC

34 467 979 Product version from 6/1/2025



Rain shower:

- rain shower Ø 220 mm
- Material rain shower: plastic
- PURE RAIN, max. flow rate 9 l/min (at 3 bar)
- Function from: 8 l/min
- rain shower with anti-scale system

Hand shower:

- spray head Ø 120mm
- COMPACT RAIN, max. flow rate 6.8 l/min (at 3 bar)
- hand shower with anti-scale system
- inherently safe from back flow

Control element:

- rotary diverter with volume control and shut-off function
- with FlowReduce function
- Plastic hose, 1750 mm, with integrated anti-twist protection
- slide bar

Technical data:

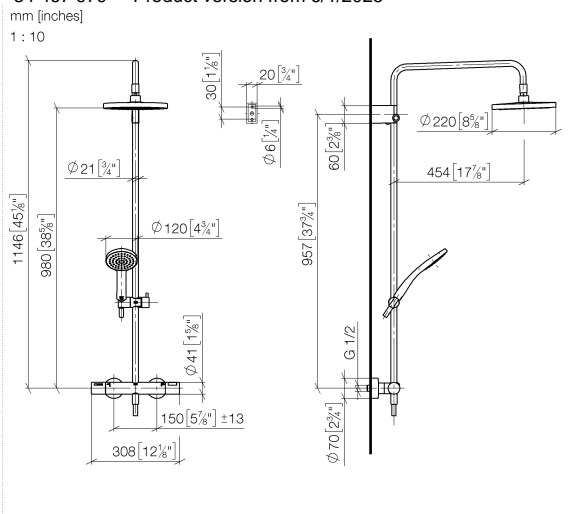
- shower with fixed riser projection 454mm
- height of fittings up to rain shower (bottom edge) 980mm
- height of fittings up to top edge of elbow 1146mm
- slide-on rosettes Ø 70 mm
- gauge 150 mm - 13 mm
- Pipe diameter 20 mm
- 1/2" connection

Notes:

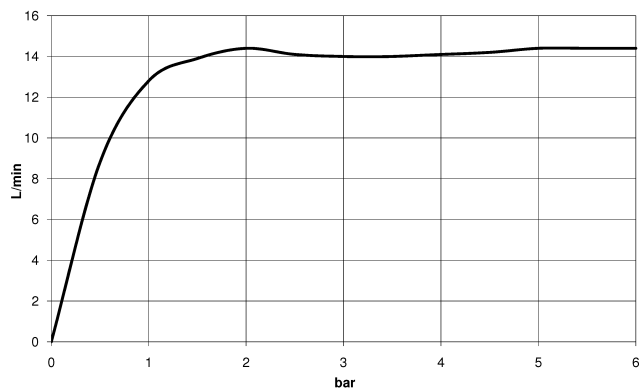
	Brushed Dark Bronze (PVD)	34 467 979-43
	Chrome	34 467 979-00
	Dark Chrome	34 467 979-19
	Light Gold (PVD)	34 467 979-26
	Brushed Light Gold (PVD)	34 467 979-27
	Matte Black	34 467 979-33
	Brushed Gold (PVD)	34 467 979-37
	Brushed Bronze (PVD)	34 467 979-42
	Brushed Chrome	34 467 979-93
	Brushed Dark Platinum	34 467 979-99

Showerpipe with shower thermostat with hand shower set 220 mm - Brushed Dark Bronze (PVD) SERIES SPECIFIC

34 467 979 Product version from 6/1/2025



Flow rate chart



Codes & Standards

EN 1717



Showerpipe with shower thermostat with hand shower set 220 mm - Brushed Dark Bronze (PVD)

SERIES SPECIFIC

34 467 979 Product version from 6/1/2025

Certificates and sustainability

EPD-DOR-20230287 Belgaqua_25-342-2

-IBA1-EN

Environmental.prod

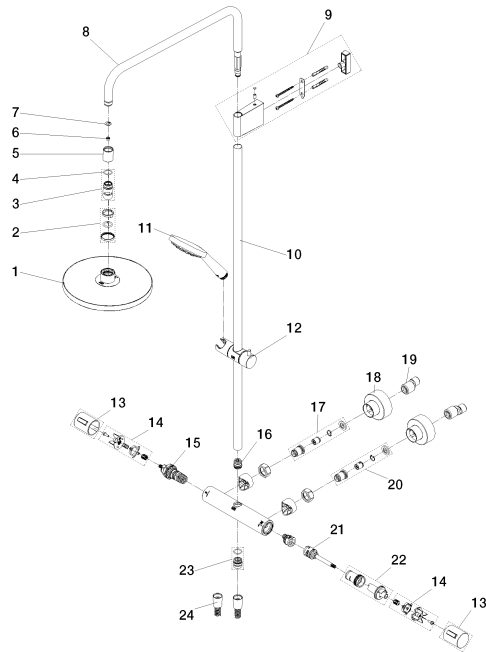
uct-declarat

Showerpipe with shower thermostat with hand shower set 220 mm - Brushed
Dark Bronze (PVD)

SERIES SPECIFIC

34 467 979 Product version from 6/1/2025

Parts for other
finishes can be found
here: [Chrome](#)





Showerpipe with shower thermostat with hand shower set 220 mm - Brushed Dark Bronze (PVD) SERIES SPECIFIC

34 467 979 Product version from 6/1/2025

Spare parts list

No.	Item Number	Name	Quantity used	Delivery time
24	90 30 03 012 00-43	hose	1.00	-
Spare part can no longer be ordered, please order the replacement item				
23	90 31 20 516 00-43	nipple	1.00	-
Spare part can no longer be ordered, please order the replacement item				
18	90 31 20 512 00-43	rosette	1.00	-
Spare part can no longer be ordered, please order the replacement item				
4	09 14 10 116 90	O-Ring EPDM 70 17,17 x 1,78 mm -	1.00	14
20	90 31 20 540 00 90	Connection Seat without lug right -	1.00	14
7	09 16 01 014 90	Ring Retaining ring Ø 15 x 1 mm -	1.00	14
2	90 23 10 096 00 90	ring set for rain shower -	1.00	14
5	90 21 02 029 00-43	Cover/sleeve for rain shower - Brushed Dark Bronze (PVD)	1.00	40
10	90 28 22 612 00-43	Pipe Ø 20 x 209 mm - Brushed Dark Bronze (PVD)	1.00	40
25	90 30 30 514 04 90	Attachment set for shower pipe -	1.00	14
11	90 12 11 186 00-43	shower	1.00	-
Spare part can no longer be ordered, please order the replacement item				
14	90 12 12 072 00 90	Retainer for thermostat handle Ø 15 x 12 mm -	2.00	14
19	04 11 04 030 00 90	S-connection with sound damper and seal 1 pair G1/2 x G3/4 -	2.00	14
15	90 15 02 071 00 90	Thermostat cartridge -	1.00	14
9	90 17 20 315 00-43	holder	1.00	-
Spare part can no longer be ordered, please order the replacement item				
1	90 12 05 093 00-43	shower	1.00	40
6	09 23 01 101 90	Flow limiter pink 14 l/min. -	1.00	14
22	90 30 40 018 00 90	Adapter for diverter -	1.00	14
16	90 24 03 540 01 90	Nipple Coupling M20 x 1 -	1.00	14
8	90 28 22 613 00-43	Spout Ø 21 x 10 mm - Brushed Dark Bronze (PVD)	1.00	40
3	90 18 40 260 00-43	Ball joint with pipe aerator - Brushed Dark Bronze (PVD)	1.00	40
13	90 17 33 030 01-43	handle	2.00	-
Spare part can no longer be ordered, please order the replacement item				
17	90 31 20 530 00 90	Connection Seat without lug left -	1.00	14
21	90 15 02 071 03 90	Diverter Ø 25 x 25 mm -	1.00	14
12	12 550 970-43	Slide unit Ø 20 mm - Brushed Dark Bronze (PVD)	1.00	82