

Product Catalog 2026

Electrical components and enclosure accessories



Contact information

Ouneva Oy

Teollisuustie 21
82730 Tuupovaara
Finland

Switch: +358 400 179 750
firstname.lastname@ouneva.fi
ounevagroup.fi

CEO

Mikko Nevalainen

Orders

Tuula Tserni
+358 40 728 6276

Pirjo Lottanen
+358 40 728 6271

Anu Ruokolainen
+358 41 731 6296

Sales

Joaquin Rodriguez
+358 41 731 8220

Tero Lätti
+358 41 732 0334

Jukka Hyvärinen
+358 40 567 2274

Marko Pitkänen
+358 50 521 6377

Mika Kosunen
+358 50 569 9954

ounevaproducts.fi

**SUSTAINABLE
SOLUTIONS
FOR THE FUTURE**



Ouneva Group

We are an international contract manufacturer and R&D partner. We offer sustainable solutions for a wide range of industries and the most demanding needs, our impact reaching all corners of the world. Our strengths lie in a unique technology portfolio, a dedicated and skilled staff, and a strong attitude. Working together, the courage to move forward, and the creation of the best solutions guide our work and define who we are.

Our wide technology portfolio covers the manufacturing processes of metal, plastic, electronics and plating in contract manufacturing. Our cutting-edge expertise extends from extremely accurate measuring devices used in the medical industry to high-tech speaker components used in professional studios and to electrical systems used in the mining industry.

Ouneva Group operates in Finland and Estonia. The group includes Alsiva, Ase Utra, Electro-Hill, Eswire, Jotwire, Ouneva, Top Speed, and Valukumpu.

Ouneva Oy

We are a strong, family-owned Finnish company with over 50 years of experience in manufacturing connectors and meeting the requirements of the electrical industry. We design and manufacture our high quality products in North Karelia, Finland. We also provide customer-specific connector and power supply solutions. We meet the strict requirements of the industry with our solid design and testing expertise, continuously developing our operations.

In addition to our own connector products, we are a contract manufacturer of sheet metal products for the electronics, machinery and electrical industries, to mention a few. Our deliveries scale from single components to complex, demanding system deliveries.

We bring added value to our customers through our experienced product design department that specializes in improving manufacturability. Our strong expertise ensures the best manufacturability, usability and safety of our products.



Table of contents

Safety and certification	4
Sustainability	6

COPPER CABLE LUGS AND CONNECTORS

Copper cable lugs – PK-series	8
Copper angle cable lugs	11
Copper cable lugs – PKD-series	12
JH splice connectors	14
RJ parallel sleeves	14
JHR Al/Cu splice connectors	15
C-sleeves	16
Tin-plated C-sleeves	17
Screw cable lug	17

ALUMINIUM CABLE LUGS AND CONNECTORS

Aluminium cable lugs OLA	19
Aluminium splice connectors OJA	20
Al/Cu bi-metal cable lugs OSCU	21
Al/Cu shear bolt cable lugs ROLA	22
Al/Al shear bolt splice connectors	22
Low voltage cable joint packages	23
Splice connector for unstripped cable	23
Al/Cu shear bolt splice connectors	24
Al/Cu low voltage cable joint packages	24

UNIVERSAL CONNECTORS

OTL universal connectors	27
OTL PEN	33
OTL FBB	34
Device connectors	35
OL universal connectors	37
OT universal connectors	38
OLE insulated universal connectors	39
OTE universal connectors	39

UNIVERSAL BRANCHING CONNECTORS

OJL distribution blocks	42
Terminal plates	46
Branching blocks	47
OPK pole branching connectors	48

GROUNDING EQUIPMENT

Grounding ball studs	51
PEN connectors	52
Potential equalizer busbars	52
Modular N/PE busbars	53
Grounding busbars	55

CABLE TERMINALS AND ACCESSORIES

IECEX/ATEX sealing plugs	57
Cable terminal boxes	58
Flanges for switchgears	60
Socket joints	61
Cover plates	62

BUSBARS AND SYSTEM EQUIPMENT

Flexible busbars	64
Busbar system connectors	65
Aluminium connection rails	65

OVERHEAD LINE ACCESSORIES (AMKA PRODUCTS)

Parallel groove clamps	67
Transformer pole busbars	67
Suspension clamp	68
Dead-end clamp	68

BRANCHING CABINETS AND MARKING DEVICES

Branching cabinets	70
Marking devices	71

ENCLOSURE ACCESSORIES

Enclosure latches	74
Latch keys	75
Enclosure hinge	75

Our products are tested and certified

Ouneva's connector products and power distribution solutions are tested and certified according to strict industry standards. Tested and certified products ensure operational and product safety, reliability, and compatibility.

- **Safety:** Certified products have undergone tests defined by standards, exceeding the mechanical and electrical requirements encountered in normal product use. Testing minimizes the risk of electrical fires, shocks, or other hazards.
- **Reliability:** During testing, products' mechanical and electrical characteristics are tested by aging the product for decades on an accelerated schedule to identify potential risk factors. Certification ensures that connectors are tested to withstand various environmental variables, such as temperature fluctuations, humidity, or vibration of the mounting base.
- **Compatibility:** Certified products are designed to meet industry-wide requirements. This ensures that different products are compatible in terms of characteristics with various systems and devices. Compatible products minimize the risk of various fault conditions and damage to the entire system or device.

All our products have clear installation guides to help you install our products safely and easily. You can always find information on which standards the product is certified to in our product information. For more information on individual products, please contact our product support if needed.

By choosing Ouneva's tested and certified connectors and power distribution solutions, you can be sure that:

1. The products have been tested according to industry requirements in accredited laboratories. They are of high quality and safe to use.
2. The risk of faulty conditions and damage to systems is minimized by testing products in extreme conditions. Correctly done installations are reliable and safe.
3. The product's service life and the reliability of the connections bring cost savings over the life cycle of the products.



CLASS A CONNECTORS ARE ALSO SHORT-CIRCUIT TESTED.



We recommend choosing a Class A connector

Connectors can be classified into two different classes, A and B, of which only class A connectors are also short-circuit tested and have a much wider variety of usage. Class A connectors are also safer and more cost-efficient as they do not require separate quick circuit breakers, which are often expensive in acquiring and installation costs. We highly recommend that you choose a Class A connector to ensure the safety of the connector.

What other safety aspects should you consider when choosing a connector?

Material choices should be considered already in the design phase. Correct material choices influence the price, quality and recyclability of the product. They also have a significant impact on product safety and especially fire safety, which is an important part of the aspects to be considered.

Ouneva uses plastic materials, whose fire rating fulfills the requirements of the UL 94 test standard V-0. V-0 classified materials do not boost fire, are self-extinguishing and a material certificate, a so-called "yellow card", is available for viewing. The fire rating has been accomplished without halogens.

When connecting aluminum cables, the installation guide must be followed carefully

The recommended preparations for aluminium conductors are pre-rounding, greasing and brushing. First, remove the insulation and shape the cable into a round shape. Then grease the conductor and remove the oxidized layer from its surface, for example by brushing with a wire brush. Finally, install the conductor in the connector and check the conductor's fastening with a torque wrench.

Material classification according to UL 94 standard (vertical burning test)

Criteria Conditions	94V-0	94V-1	94V-2
Total flaming combustion for each specimen	≤ 10 sec	≤ 30 sec	≤ 30 sec
Total flaming combustion for all 5 specimens of any set	≤ 50 sec	≤ 250 sec	≤ 250 sec
Flaming and glowing combustion for each specimen after second burner flame application	≤ 30 sec	≤ 60 sec	≤ 60 sec
Cotton ignited by flaming drips from any specimen	No	No	Yes

Sustainable solutions for the future

Bronze in EcoVadis

Ouneva has been assessed through EcoVadis for the year 2024. We reached the bronze medal in the assessment, which means that our business belongs to the top 35% of all the 1,6 million companies assessed worldwide. EcoVadis is a corporate sustainability rating service that evaluates a company's sustainability in the areas of environmental efforts, ethics, labour and human rights, and sustainable procurement practices.



We have over 50 years of experience in manufacturing high quality connectors for the electrical industry. Our products are manufactured in North Karelia, Finland from European raw materials and we do the tin plating of the products ourselves, for example. The plastic and moulded parts of the connectors are also manufactured within Ouneva Group. We are responsible for the production process all the way from design to packaging and shipping.

Environmental Product Declaration (EPD)

An Environmental Product Declaration, or EPD, is a verified document that presents the environmental impacts of a product throughout its entire life cycle. The information is based on a Life Cycle Assessment (LCA), which collects comprehensive data on the product's raw materials, manufacturing, transportation and end-of-life processes. The results of the assessment provide insight into how the product contributes to global warming, ozone depletion, eutrophication, acidification and depletion of natural resources. The EPD is a standardised (EN 15804), impartial and third-party verified reporting document.

EPDs are available for the following product groups: OPK, C-sleeves, OTL, OJL, OL and copper cable lugs. Our Environmental Product Declarations have been published in the EPD Hub.

Read more about the EPD on our website using the QR code.



Towards more sustainable business

Creating sustainable solutions is a key part of our sustainability efforts. We develop our operations with clear goals so that sustainability becomes a natural part of Ouneva Group's strategy, leadership and daily work. Our aim is to enable our customers to manufacture high-quality and sustainable solutions that support both their growth and ours.

Our sustainability goals are:

1. A healthy and motivated team

Our people are our most important asset. We actively support their wellbeing, skills and safety. We want to remain an attractive workplace where everyone feels good working.

2. Reducing our environmental impact

We're taking continuous steps towards low-carbon production. We reduce our environmental footprint by improving energy efficiency at our factories and by using and recycling raw materials as efficiently as possible.

3. Being a profitable and reliable business partner

We are a financially solid Finnish family-owned company. We offer our customers comprehensive solutions that draw on our broad expertise and technology portfolio to meet future demands. We make regular investments in the latest production technologies, increased automation and expanded capacity.

Ouneva Group is a participant in the United Nations Global Compact initiative. Companies involved in the Global Compact are committed to the Ten Principles of human rights, labor, environment and anti-corruption.

Ouneva Group joined the Global Compact initiative in 2022.

We recognize the UN's sustainable development goals (Sustainable Development Goals, SDG). We have identified four of these goals that we can influence the most with our activities:



Goal 8: Promote sustained, inclusive, and sustainable economic growth, full and productive employment, and decent work for all.



Goal 9: Build resilient infrastructure, promote inclusive and sustainable industrialization, and foster innovation.



Goal 12: Ensure sustainable consumption and production patterns.



Goal 13: Take urgent action to combat climate change and its impacts.

Copper cable lugs and connectors

Copper cable lugs and connectors are made of 99,9% pure copper. The products are electroplated with tin at our own factory in Tuupovaara. The cable lugs and connectors are made to be used in connecting copper wires, coils and busbars. All the products can be installed with the most basic crimping tools. For more information on approved crimping tools, see our installation guide.



Product documents:



Copper cable lugs



PK-series

General: PK-series cable lugs are compatible with all kinds of stranded (also compacted) wires.

Use: Copper cable lugs are designed for connecting copper cables, coils and busbars. Cable lugs are also compatible with PEX cables. Installation of the cable lugs can be performed with the most basic crimping tools (see page 13).

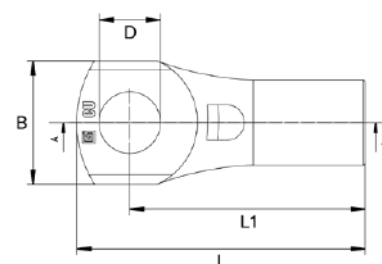
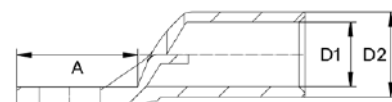
Materials: The lugs are manufactured of 99,9% pure copper and electrolytically plated with tin.

Certification and applied regulations: UL 486A-486B

STK code	Product code	Product name	Conductor (mm ²)	D (mm)	L (mm)	L1 (mm)	D1 (mm)	D2 (mm)	B (mm)	Weight (g)	Package (pcs)
52 011 01	VA01-0094	PK 0,75-3	0,75	3,3	16	13	1,3	3	6,1	0,5	100
52 011 02	VA01-0095	PK 0,75-4	0,75	4,2	17	13,5	1,3	3	6,5	0,5	100
52 011 05	VA01-0096	PK 1,5-3	1,5	3,3	16	13	1,9	3,4	6,5	1	100
52 011 06	VA01-0097	PK 1,5-4	1,5	4,2	17	13,5	1,9	3,4	6,5	1	100
52 011 07	VA01-0027	PK 1,5-5	1,5	5,4	18	13,5	1,9	3,4	7,5	1	100
52 011 10	VA01-0028	PK 2,5-3	2,5	3,3	16	13	2,6	4,2	6,5	1	100
52 011 11	VA01-0029	PK 2,5-4	2,5	4,2	17	13,5	2,6	4,2	6,5	1	100
52 011 12	VA01-0030	PK 2,5-5	2,5	5,4	18	13,5	2,6	4,2	7,5	1	100
52 011 13	VA01-0031	PK 2,5-6	2,5	6,4	21	15,5	2,6	4,2	8,5	1	100
52 011 20	VA01-0032	PK 6-4	6	4,3	23	17,5	3,6	6	8,5	3	100
52 011 21	VA01-0033	PK 6-5	6	5,5	23	17,5	3,6	6	9,5	3	100
52 011 22	VA01-0034	PK 6-6	6	6,5	25	17,5	3,6	6	9,5	3	100
52 011 23	VA01-0035	PK 6-8	6	8,5	30	23	3,6	6	13	4	100
52 011 25	VA01-0045	PK 10-5	10	5,5	32	22	5	8	11,5	8	100
52 011 26	VA01-0046	PK 10-6	10	6,5	32	22	5	8	11,5	8	100
52 011 27	VA01-0047	PK 10-8	10	8,5	34	22	5	8	13,5	8	100
52 011 28	VA01-0129	PK 10-10	10	10,5	40	27	5	8	14	8	100
52 003 00	VA01-0048	PK 16-5	16	5,5	34	27	6	9	13	10	100
52 011 30	VA01-0049	PK 16-6	16	6,5	34	26	6	9	13	10	100
52 011 31	VA01-0050	PK 16-8	16	8,5	34	26	6	9	13	9	100
52 011 32	VA01-0131	PK 16-10	16	10,5	40	29	6	9	16	10	100
52 011 33	VA01-0132	PK 16-12	16	12,5	43,5	31,5	6	9	18	11	100
52 003 01	VA01-0133	PK 16-14	16	14,5	43,5	31,5	6	9	18	11	100
52 011 35	VA01-0221	PK 25-6	25	6,5	37	30	8	11	16	14	100
52 011 36	VA01-0051	PK 25-8	25	8,5	37	30	8	11	17	13	100
52 011 37	VA01-0115	PK 25-10	25	10,5	40	33	8	11	17	14	100
52 011 38	VA01-0116	PK 25-12	25	12,5	46	34	8	11	20	15	100
52 003 02	VA01-0117	PK 25-14	25	14,5	46	34	8	11	20	15	100
52 011 39	VA01-0118	PK 25-16	25	17	54	39,5	8	11	23	17	100
52 011 40	VA01-0052	PK 35-6	35	6,5	44	35	9	13	18,5	25	100
52 011 41	VA01-0053	PK 35-8	35	8,5	44	35	9	13	18,5	25	100
52 011 42	VA01-0119	PK 35-10	35	10,5	44	35	9	13	18,5	24	100
52 011 43	VA01-0120	PK 35-12	35	12,5	48,5	36,5	9	13	20	26	100
52 017 43	VA01-0121	PK 35-14	35	14,5	48,5	36,5	9	13	20	25	100
52 011 44	VA01-0122	PK 35-16	35	17	56	41,5	9	13	23	28	100
52 003 03	VA01-0054	PK 50-6	50	6,5	49	40	11	14,5	21	29	100
52 011 45	VA01-0055	PK 50-8	50	8,5	49	40	11	14,5	21	28	100
52 011 46	VA01-0123	PK 50-10	50	10,5	49	40	11	14,5	21	27	100
52 011 47	VA01-0124	PK 50-12	50	12,5	55	43	11	14,5	23	29	100
52 017 47	VA01-0125	PK 50-14	50	14,5	55	43	11	14,5	23	29	100
52 011 48	VA01-0126	PK 50-16	50	17	60,5	46	11	14,5	24	33	100



STK code	Product code	Product name	Conductor (mm ²)	D (mm)	L (mm)	L1 (mm)	D1 (mm)	D2 (mm)	B (mm)	Weight (g)	Package (pcs)
52 004 49	VA01-0062	PK 70-6	70	6,5	58	49	13	17	24,5	46	50
52 011 50	VA01-0056	PK 70-8	70	8,5	58	49	13	17	24,5	46	50
52 011 51	VA01-0127	PK 70-10	70	10,5	58	47	13	17	24,5	45	50
52 011 52	VA01-0128	PK 70-12	70	12,5	58	46,5	13	17	24,5	44	50
52 017 52	VA01-0017	PK 70-14	70	14,5	58	46,5	13	17	24,5	44	50
52 011 53	VA01-0018	PK 70-16	70	17	65	50,5	13	17	28	48	50
52 012 63	VA01-0072	PK95-6	95	6,5	69	55	15	20	29	83	50
52 004 46	VA01-0064	PK 95-8	95	8,5	69	55	15	20	29	82	50
52 011 55	VA01-0019	PK 95-10	95	10,5	69	55	15	20	29	80	50
52 011 56	VA01-0020	PK 95-12	95	12,5	69	55	15	20	29	78	50
52 017 56	VA01-0021	PK 95-14	95	14,5	69	55	15	20	29	78	50
52 011 57	VA01-0022	PK 95-16	95	17	69	55	15	20	29	75	50
52 012 61	VA01-0066	PK 120-8	120	8,5	72	58	17	22	32	95	25
52 011 60	VA01-0023	PK 120-10	120	10,5	72	58	17	22	32	93	25
52 011 61	VA01-0024	PK 120-12	120	12,5	72	58	17	22	32	91	25
52 017 61	VA01-0036	PK 120-14	120	14,5	72	58	17	22	32	90	25
52 011 62	VA01-0037	PK 120-16	120	17	72	58	17	22	32	89	25
52 011 64	VA01-0038	PK 150-10	150	11	81	65	19	25	36	147	25
52 011 65	VA01-0039	PK 150-12	150	13	81	65	19	25	36	143	25
52 003 04	VA01-0040	PK 150-14	150	14,5	81	65	19	25	36	143	25
52 011 66	VA01-0041	PK 150-16	150	17	81	65	19	25	36	140	25
52 011 67	VA01-0042	PK 150-20	150	21	81	65	19	25	36	133	25
52 003 05	VA01-0043	PK 185-10	185	11	89	71	21	27	39	173	20
52 011 70	VA01-0044	PK 185-12	185	13	89	71	21	27	39	170	20
52 003 06	VA01-0135	PK 185-14	185	14,5	89	71	21	27	39	168	20
52 011 71	VA01-0144	PK 185-16	185	17	89	71	21	27	39	168	20
52 011 72	VA01-0145	PK 185-20	185	21	89	71	21	27	39	166	20
52 003 07	VA01-0102	PK 240-10	240	11	99	81	24	30	44	219	10
52 011 75	VA01-0103	PK 240-12	240	13	99	81	24	30	44	210	10
52 003 08	VA01-0104	PK 240-14	240	14,5	99	81	24	30	44	212	10
52 011 76	VA01-0105	PK 240-16	240	17	99	81	24	30	44	207	10
52 011 77	VA01-0106	PK 240-20	240	21	99	81	24	30	44	207	10
52 003 09	VA01-0107	PK 300-10	300	11	114	91	26	32	48	273	10
52 003 10	VA01-0108	PK 300-12	300	13	114	91	26	32	48	264	10
52 011 78	VA01-0109	PK 300-14	300	14,5	114	91	26	32	48	276	10
52 011 79	VA01-0110	PK 300-16	300	17	114	91	26	32	48	261	10
52 011 80	VA01-0111	PK 300-20	300	21	114	91	26	32	48	258	10
52 011 81	VA01-0235	PK 300-24	300	25	114	91	26	32	48	253	10
52 011 84	VA01-0112	PK 400-16	400	17	126	103	30	36	54	336	Acc. to order
52 011 85	VA01-0113	PK 400-20	400	21	126	103	30	36	54	326	Acc. to order
52 011 86	VA01-0236	PK 400-24	400	25	126	103	30	36	54	315	Acc. to order



Copper cable lugs



PKP-series

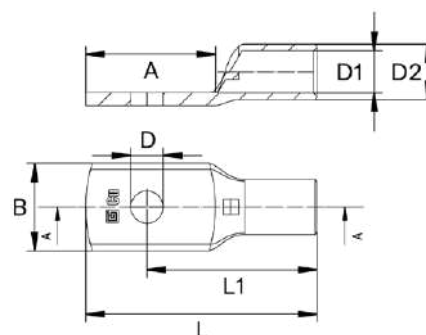
General: PKP-series cable lugs are compatible with all kinds of stranded (also compacted) wires and specially suitable for fine-stranded cables.

Use: PKP copper cable lugs are designed for connecting copper cables, coils and busbars. Cable lugs are also compatible with PEX cables. Installation of the cable lugs can be performed with the most basic crimping tools (see page 13).

Materials: The lugs are manufactured of 99,9% pure copper and electrolytically plated with tin.

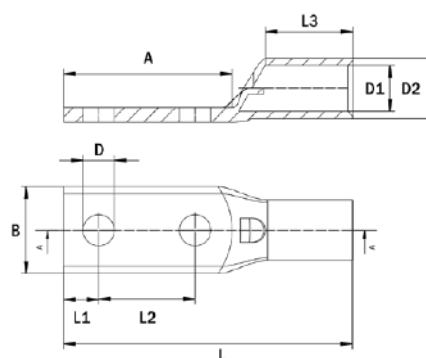
Cable lugs with long blade

STK code	Product code	Product name	Conductor (mm ²)	A (mm)	D (mm)	L (mm)	L1 (mm)	D1 (mm)	D2 (mm)	B (mm)	Weight (g)	Package (pcs)
52 004 36	VA01-0326	PKP106	10	16	6,5	34	24	5	8	13,5	11	100
52 004 37	VA01-0134	PKP108	10	21	8,5	39	29	5	8	13,5	11	100
52 004 38	VA01-0222	PKP168	16	33	8,5	50,5	34,5	6	9	18	16	100
52 004 39	VA01-0327	PKP1610	16	33	10,5	50,5	34,5	6	9	18	15	100
52 004 40	VA01-0328	PKP1614	16	33	14,5	50,5	34,5	6	9	18	14	100
52 004 41	VA01-0223	PKP258	25	33	8,5	52,5	36,5	8	11	20	20	100
52 004 42	VA01-0136	PKP2510	25	33	10,5	52,5	36,5	8	11	20	19,5	100
52 004 43	VA01-0137	PKP2514	25	33	14,5	52,5	36,5	8	11	20	18	100
52 004 44	VA01-0224	PKP358	35	33	8,5	55,5	39,5	9	13	20	35	100
52 004 76	VA01-0138	PKP3510	35	33	10,5	55,5	39,5	9	13	20	34	100
52 004 77	VA01-0139	PKP3514	35	33	14,5	55,5	39,5	9	13	20	31	100
52 004 78	VA01-0225	PKP508	50	34	8,5	60,5	44,5	11	14,5	23	38	100
52 004 79	VA01-0140	PKP5010	50	34	10,5	60,5	44,5	11	14,5	23	37	100
52 004 80	VA01-0141	PKP5014	50	34	14,5	60,5	44,5	11	14,5	23	35	100
52 004 81	VA01-0142	PKP7010	70	34	10,5	65	49	13	17	24,5	52	50
52 004 82	VA01-0143	PKP7014	70	34	14,5	65	49	13	17	24,5	49	50
52 004 83	VA01-0148	PKP9510	95	44	10,5	79,5	57,5	15	20	29	97	50
52 004 84	VA01-0149	PKP9514	95	33	14,5	79,5	57,5	15	20	29	94	50
52 004 85	VA01-0329	PKP12010	120	44	10,5	83	61	17	22	32	112	25
52 004 86	VA01-0150	PKP12014	120	44	14,5	83	61	17	22	32	109	25
52 004 87	VA01-0151	PKP12017	120	44	17	83	61	17	22	32	105	25
52 004 88	VA01-0152	PKP15014	150	44	14,5	96	74	19	25	36	173	25
52 004 89	VA01-0114	PKP15017	150	44	17	96	74	19	25	36	169	25
52 004 90	VA01-0153	PKP18514	185	44	14,5	94	72	21	27	39	184	20
52 004 91	VA01-0146	PKP18517	185	44	17	94	72	21	27	39	180	20
52 004 92	VA01-0147	PKP24017	240	52	17	106	81	24	30	44	233	10



Cable lugs with two fastening holes

STK code	Product code	Product name	Conductor (mm ²)	A (mm)	D (mm)	L (mm)	L1 (mm)	L2 (mm)	L3 (mm)	D1 (mm)	D2 (mm)	B (mm)	Weight (g)	Package (pcs)
52 012 92	VA01-0282	PK10-2×6	10	33	6,5	48,5	7	14-16	9	5	8	12	9	25
52 023 15	VA01-0474	PK16-2×6	16	33	6,5	49,5	7	14-16	10	6	9	12	12	25
52 012 93	VA01-0057	PK25-2×8	25	63	8,5	107	16	30	35	8	11	17,5	15	25
52 012 94	VA01-0058	PK35-2×10	35	63	11	107	16	30	35	9	13	18,5	27	25
52 012 95	VA01-0059	PK50-2×10	50	63	11	113	16	30	36	11	14,5	21	31	25
52 012 96	VA01-0060	PK70-2×10	70	72	11	120	14	38	36	13	17	24,5	49	25
52 012 97	VA01-0296	PK95-2×10	95	72	11	120	14	38	36	15	20	29	85	25
52 012 98	VA01-0283	PK120-2×10	120	72	11	120	14	38	30	17	22	32	99	25
52 012 99	VA01-0330	PK150-2×12	150	70	13	120	14,5	40	36	19	25	36	150	10
52 017 00	VA01-0331	PK185-2×12	185	78	13	126	20	40	36	21	27	39	259	10
52 017 01	VA01-0100	PK240-2×14	240	78	15	126	20	40	36	24	30	44	270	10
52 017 02	VA01-0101	PK300-2×14	300	80	15	188	18	40	80	26	32	48	600	10



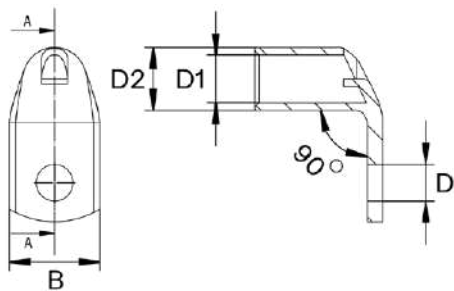
Copper angle cable lugs



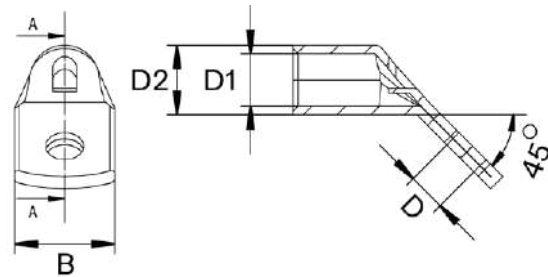
General: Lugs are compatible with all kinds of stranded (also compressed) wires. PKK-series cable lugs are available with both 90° and 45° angle.

Use: Angle cable lugs are designed for connecting copper cables, coils and busbars. Cable lugs are also compatible with PEX cables. When installing PKK-series cable lugs, use installation instructions provided for PK-series copper lugs (see page 13).

Materials: The lugs are manufactured of 99,9% pure copper and electrolytically plated with tin.



90° angle cable lugs



45° angle cable lugs

STK code	Product code	Product name	Conductor (mm ²)	D (mm)	D1 (mm)	D2 (mm)	B (mm)	Weight (g)	Package (pcs)
52 003 19	VA01-0156	PKK 10-6-90	10	6,5	5	8	11,5	8	50
52 003 20	VA01-0157	PKK 10-8-90	10	8,5	5	8	13,5	8	50
52 003 21	VA01-0159	PKK 10-10-90	10	10,5	5	8	14	8	50
52 003 24	VA01-0161	PKK 16-6-90	16	6,5	6	9	13	10	50
52 003 25	VA01-0163	PKK 16-8-90	16	8,5	6	9	13	9	50
52 003 26	VA01-0164	PKK 16-10-90	16	10,5	6	9	16	10	50
52 003 29	VA01-0261	PKK 25-6-90	25	6,5	8	11	16	14	50
52 003 76	VA01-0168	PKK 25-8-90	25	8,5	8	11	17	13	50
52 003 77	VA01-0169	PKK 25-10-90	25	10,5	8	11	17	14	50
52 003 81	VA01-0262	PKK 35-6-90	35	6,5	9	13	18,5	25	50
52 003 82	VA01-0266	PKK 35-8-90	35	8,5	9	13	18,5	25	50
52 003 83	VA01-0265	PKK 35-10-90	35	10,5	9	13	18,5	24	50
52 003 88	VA01-0268	PKK 50-8-90	50	8,5	11	14,5	21	28	50
52 003 89	VA01-0269	PKK 50-10-90	50	10,5	11	14,5	21	27	50
52 003 90	VA01-0180	PKK 50-12-90	50	12,5	11	14,5	23	29	50
52 003 93	VA01-0183	PKK 70-8-90	70	8,5	13	17	24,5	46	25
52 003 94	VA01-0184	PKK 70-10-90	70	10,5	13	17	24,5	45	25
52 003 95	VA01-0187	PKK 70-12-90	70	12,5	13	17	24,5	44	25
52 003 98	VA01-0274	PKK 95-10-90	95	10,5	15	20	29	80	25
52 003 99	VA01-0239	PKK 95-12-90	95	12,5	15	20	29	78	25
52 003 43	VA01-0240	PKK 95-16-90	95	17	15	20	29	75	25
52 003 44	VA01-0192	PKK 120-10-90	120	10,5	17	22	32	93	15
52 003 45	VA01-0275	PKK 120-12-90	120	12,5	17	22	32	91	15
52 003 47	VA01-0191	PKK 120-16-90	120	17	17	22	32	89	15
52 003 48	VA01-0243	PKK 150-10-90	150	11	19	25	36	147	10
52 003 49	VA01-0246	PKK 150-12-90	150	13	19	25	36	143	10
52 003 52	VA01-0249	PKK 150-16-90	150	17	19	25	36	133	10
52 003 53	VA01-0258	PKK 185-10-90	185	11	21	27	39	173	10
52 003 54	VA01-0260	PKK 185-12-90	185	13	21	27	39	170	10
52 003 67	VA01-0255	PKK 185-16-90	185	17	21	27	39	168	10
52 003 70	VA01-0073	PKK 240-12-90	240	13	24	30	44	210	5
52 003 72	VA01-0220	PKK 240-16-90	240	17	24	30	44	207	5
52 003 73	VA01-0279	PKK 240-20-90	240	21	24	30	44	207	5

STK code	Product code	Product name	Conductor (mm ²)	D (mm)	D1 (mm)	D2 (mm)	B (mm)	Weight (g)	Package (pcs)
52 003 59	VA01-0081	PKK 10-6-45	10	6,5	5	8	11,5	8	50
52 003 61	VA01-0158	PKK 10-8-45	10	8,5	5	8	13,5	8	50
52 003 62	VA01-0084	PKK 10-10-45	10	10,5	5	8	14	8	50
52 004 05	VA01-0083	PKK 16-6-45	16	6,5	6	9	13	10	50
52 004 06	VA01-0162	PKK 16-8-45	16	8,5	6	9	13	9	50
52 004 07	VA01-0251	PKK 16-10-45	16	10,5	6	9	16	10	50
52 004 09	VA01-0174	PKK 25-6-45	25	6,5	8	11	16	14	50
52 004 10	VA01-0167	PKK 25-8-45	25	8,5	8	11	17	13	50
52 004 11	VA01-0280	PKK 25-10-45	25	10,5	8	11	17	14	50
52 004 13	VA01-0179	PKK 35-6-45	35	6,5	9	13	18,5	25	50
52 004 14	VA01-0263	PKK 35-8-45	35	8,5	9	13	18,5	25	50
52 004 15	VA01-0264	PKK 35-10-45	35	10,5	9	13	18,5	24	50
52 004 17	VA01-0267	PKK 50-8-45	50	8,5	11	14,5	21	28	50
52 004 18	VA01-0271	PKK 50-10-45	50	10,5	11	14,5	21	27	50
52 004 19	VA01-0181	PKK 50-12-45	50	12,5	11	14,5	23	29	50
52 004 20	VA01-0273	PKK 70-8-45	70	8,5	13	17	24,5	46	25
52 004 21	VA01-0185	PKK 70-10-45	70	10,5	13	17	24,5	45	25
52 004 22	VA01-0186	PKK 70-12-45	70	12,5	13	17	24,5	44	25
52 004 24	VA01-0189	PKK 95-10-45	95	10,5	15	20	29	80	25
52 004 25	VA01-0190	PKK 95-12-45	95	12,5	15	20	29	78	25
52 011 95	VA01-0319	PKK 95-16-45	95	17	15	20	29	75	25
52 004 27	VA01-0281	PKK 120-10-45	120	10,5	17	22	32	93	15
52 004 28	VA01-0276	PKK 120-12-45	120	12,5	17	22	32	91	15
52 011 96	VA01-0320	PKK 120-16-45	120	17	17	22	32	89	15
52 004 30	VA01-0241	PKK 150-10-45	150	11	19	25	36	147	10
52 004 31	VA01-0245	PKK 150-12-45	150	13	19	25	36	143	10
52 011 97	VA01-0321	PKK 150-16-45	150	17	19	25	36	140	10
52 011 98	VA01-0322	PKK 185-10-45	185	11	21	27	39	173	10
52 011 99	VA01-0323	PKK 185-12-45	185	13	21	27	39	170	10
52 012 00	VA01-0324	PKK 185-16-45	185	17	21	27	39	168	10
52 004 33	VA01-0208	PKK 240-12-45	240	13	24	30	44	210	5
52 004 35	VA01-0219	PKK 240-16-45	240	17	24	30	44	207	5
52 012 01	VA01-0325	PKK 240-20-45	240	21	24	30	44	207	5

Copper cable lugs



PKD-series

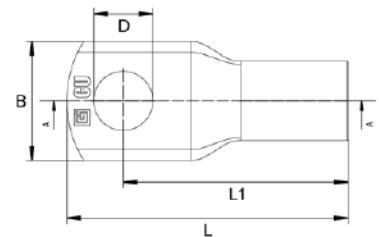
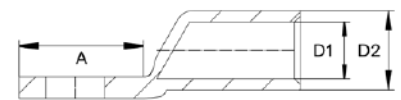
General: PKD-series cable lugs are compatible with compressed copper wires. Inner and outer dimensions are smaller in size compared to PK-series.

Use: Installation of the cable lugs can be performed with the most basic crimping tools (see page 13).

Materials: The lugs are manufactured of 99,9% pure copper and electrolytically plated with tin.



STK code	Product code	Product name	Conductor (mm ²)	D (mm)	L (mm)	L1 (mm)	D1 (mm)	D2 (mm)	B (mm)	Weight (g)	Package (pcs)
52 012 02	VA02-0006	PKD 10-5	10	5,5	29	23,0	4,5	7,0	11	5	100
52 012 04	VA02-0007	PKD 10-6	10	6,5	30	23,0	4,5	7,0	11	5	100
52 012 06	VA02-0008	PKD 10-8	10	8,5	32	24,0	4,5	7,0	13	5	100
52 017 25	VA02-0051	PKD 10-10	10	10,5	32	24	4,5	7,0	13	5	100
52 012 10	VA02-0009	PKD 16-6	16	6,5	33,5	26,5	5,5	8,5	13	9	100
52 012 12	VA02-0010	PKD 16-8	16	8,5	35,5	27,5	5,5	8,5	15	9	100
52 003 74	VA02-0011	PKD 16-10	16	10,5	38,5	29,5	5,5	8,5	16	9	100
52 003 32	VA02-0012	PKD 16-12	16	12,5	42,5	31,5	5,5	8,5	18	10	100
52 012 14	VA02-0013	PKD 25-6	25	6,5	37	30,0	7,0	10,0	14	12	100
52 012 16	VA02-0014	PKD 25-8	25	8,5	38	30,0	7,0	10,0	15	12	100
52 012 18	VA02-0015	PKD 25-10	25	10,5	42	32,0	7,0	10,0	16	12	100
52 003 33	VA02-0016	PKD 25-12	25	12,5	46	35,0	7,0	10,0	18	13	100
52 012 20	VA02-0017	PKD 35-6	35	6,5	41	33,0	8,5	12,0	17	19	100
52 012 22	VA02-0018	PKD 35-8	35	8,5	42,5	33,5	8,5	12,0	17	20	100
52 012 24	VA02-0019	PKD 35-10	35	10,5	44	34,0	8,5	12,0	17	19	100
52 003 34	VA02-0020	PKD 35-12	35	12,5	47,5	36,5	8,5	12,0	19	20	100
52 012 26	VA02-0021	PKD 50-8	50	8,5	47,5	38,5	10,0	14,0	21	29	100
52 012 28	VA02-0022	PKD 50-10	50	10,5	49	39,0	10,0	14,0	21	29	100
52 012 30	VA02-0023	PKD 50-12	50	12,5	52	42,5	10,0	14,0	23	30	100
52 012 32	VA02-0024	PKD 70-8	70	8,5	52	43,0	12,0	16,5	24	44	50
52 012 34	VA02-0025	PKD 70-10	70	10,5	53	43,0	12,0	16,5	24	44	50
52 012 36	VA02-0026	PKD 70-12	70	12,5	56	44,0	12,0	16,5	24	45	50
52 012 38	VA02-0005	PKD 95-8	95	8,5	60	48,0	13,5	18,0	27	59	50
52 012 40	VA02-0001	PKD 95-10	95	10,5	60	48,0	13,5	18,0	27	57	50
52 012 42	VA02-0027	PKD 95-12	95	12,5	60	48,0	13,5	18,0	27	55	50
52 004 53	VA02-0003	PKD 120-10	120	10,5	69	55	15	19,5	28	65	25
52 004 54	VA02-0028	PKD 120-12	120	12,5	69	55	15	19,5	28	62	25
52 004 56	VA02-0029	PKD 120-14	120	14	69	55	15	19,5	28	60	25
52 004 57	VA02-0030	PKD 150-10	150	10,5	76	60	16,5	21	32	103	25
52 004 58	VA02-0031	PKD 150-12	150	12,5	76	60	16,5	21	32	100	25
52 004 59	VA02-0032	PKD 150-14	150	14	76	60	16,5	21	32	97	25
52 017 79	VA02-0052	PKD 185-12	185	13	83	65	19	25	35	145	25
52 017 84	VA02-0053	PKD 185-14	185	15	83	65	19	25	35	143	25
52 017 85	VA02-0054	PKD 185-16	185	17	83	65	19	25	35	140	25
52 017 86	VA02-0055	PKD 185-20	185	21	91	69	19	25	39	146	25
52 017 87	VA02-0056	PKD 185-24	185	25	91	69	19	25	39	140	25
52 017 88	VA02-0057	PKD 240-12	240	13	92,5	71	21	27	39	180	20
52 017 89	VA02-0058	PKD 240-14	240	15	92,5	71	21	27	39	178	20
52 017 90	VA02-0059	PKD 240-16	240	17	92,5	71	21	27	39	175	20
52 017 91	VA02-0060	PKD 240-20	240	21	92,5	71	21	27	39	169	20
52 017 92	VA02-0061	PKD 240-24	240	25	92,5	71	21	27	39	161	20
52 017 93	VA02-0062	PKD 300-12	300	13	110	86	24	30	43	252	10
52 017 94	VA02-0063	PKD 300-14	300	15	110	86	24	30	43	250	10
52 017 95	VA02-0064	PKD 300-16	300	17	110	86	24	30	43	247	10
52 017 96	VA02-0065	PKD 300-20	300	21	110	86	24	30	43	229	10
52 017 97	VA02-0066	PKD 300-24	300	25	110	86	24	30	43	233	10
52 017 98	VA02-0067	PKD 400-12	400	13	112	88	26	32	49	260	Acc. to order
52 017 99	VA02-0068	PKD 400-14	400	15	112	88	26	32	49	258	Acc. to order
52 023 00	VA02-0069	PKD 400-16	400	17	112	88	26	32	49	255	Acc. to order
52 023 01	VA02-0070	PKD 400-20	400	21	112	88	26	32	49	249	Acc. to order
52 023 02	VA02-0071	PKD 400-24	400	25	112	88	26	32	49	241	Acc. to order



Crimping tools for PK-series cable lugs

PK, PKP, lugs with 2 fastening holes and PKK lugs must be crimped with tools and dies mentioned in the table below.

PK-series	Stripping length of cable (mm)	Elpress hexagonal die		Elpress (PVL 350)		Elpress hexagonal die		Klauke (K 50)		Klauke (EKM 60 ID-L, EKM 60 ID, EKM 60 ID ISM)		Klauke (EK 30 ID)		Novopress V-press		Milwaukee (M18 ONEHCCT60)		HAUPA (SDE240-6M)		HILTI (NCR 60 D-22)	
		Die type	No. of crimps	Die type	No. of crimps	Die type	No. of crimps	Die type	No. of crimps	Die type	No. of crimps	Die type	No. of crimps	Die type	No. of crimps	Die type	No. of crimps	No. of crimps	No. of crimps	No. of crimps	No. of crimps
PK-0,75	7	-	-	-	-	-	-	R501	1	-	-	-	-	-	-	-	-	-	-	-	-
PK-1,5	7	-	-	-	-	-	-	R501	1	-	-	-	-	-	-	-	-	-	-	-	-
PK-2,5	7	-	-	-	-	-	-	R501	1	-	-	-	-	-	-	-	-	-	-	-	-
PK-(4)/6	7,5	-	-	-	-	-	-	R502	1	-	-	-	-	-	-	-	-	-	-	-	-
PK-4/(6)	7,5	-	-	-	-	-	-	R502	1	-	-	-	-	-	-	-	-	-	-	-	-
PK-10	11	B8	1	MB8	1	13B8	1	R502	1	1	1	HPM400	1	R22 OU/KRF 10	1	1	1	1	1	1	1
PK-16	12	B9	1	MB9	1	13B9	1	-	-	1	1	HPM400	1	R22 OU/KRF 16	1	1	1	1	1	1	1
PK-25	13	B11	1	MB11	2	13B11	1	-	-	1	1	HPM400	1	R22 OU/KRF 25	2	1	1	1	1	1	1
PK-35	16	B13	1	MB13	2	13B13	1	-	-	1	1	HPM400	1	R22 OU/KRF 35	2	1	1	1	1	1	1
PK-50	21	B14,5	1	MB14,5	2	13B14,5	1	-	-	1	1	HPM400	1	R22 OU/KRF 50	2	1	1	1	1	1	1
PK-70	22	B17	1	MB17	3	13B17	1	-	-	1	1	HPM400	1	R22 OU/KRF 70	3	1	1	1	1	1	1
PK-95	26	B20	1	-	-	13B20	1	-	-	1	1	HPM400	1	R22 OU/KRF 95	3	1	1	1	1	1	1
PK-120	28	B22	1	-	-	13B22	2	-	-	1	1	HPM400	2	R22 OU/KRF 120	4	1	1	1	1	1	1
PK-150	31	B25	1	-	-	13B25	2	-	-	1	-	HPM400	2	R22 OU/KRF 150	4	1	1	1	1	1	1
PK-185	33	B27	1	-	-	13B27	2	-	-	1	-	HPM400	2	R22 OU/KRF 185	4	1	1	1	1	1	1
PK-240	37	B30	1	-	-	13B30	2	-	-	1	-	HPM400	2	R22 OU/KRF 240	4	1	1	1	1	1	1
PK-300	45	B32	1	-	-	13B32	2	-	-	-	-	HPM400	2	R22 OU/KRF 300	4	-	-	-	-	-	-
PK-400	48	B36	2	-	-	-	-	-	-	-	-	HPM400	2	-	-	-	-	-	-	-	-

Crimping tools for PKD-series cable lugs

PKD-series	Stripping length of cable (mm)	Elpress hexagonal die		Klauke (EK 22)		Klauke (K 50)		Klauke (EKM 60 ID-L, EKM 60 ID, EKM 60 ID ISM)		Klauke (EK 30 ID)		Novopress V-press		Milwaukee (M18 ONEHCCT60)		HAUPA (SDE240-6M)		HILTI (NCR 60 D-22)	
		Die type	No. of crimps	Die type	No. of crimps	Die type	No. of crimps	Die type	No. of crimps	Die type	No. of crimps	Die type	No. of crimps	Die type	No. of crimps	No. of crimps	No. of crimps	No. of crimps	No. of crimps
PKD-10	11	B7	1	R 22 / 10 mm ²	1	R502	1	1	1	HPM400	1	-	-	1	1	1	1		
PKD-16	13	B8,5	1	R 22 / 16 mm ²	1	-	-	1	1	HPM400	1	R22 Cu 16	1	1	1	1	1		
PKD-25	15	B10	1	R 22 / 25 mm ²	2	-	-	1	1	HPM400	1	R22 Cu 25	2	1	1	1	1		
PKD-35	17	B12	1	R 22 / 35 mm ²	2	-	-	1	1	HPM400	1	R22 Cu 35	2	1	1	1	1		
PKD-50	20	B14	1	R 22 / 50 mm ²	2	-	-	1	1	HPM400	1	R22 Cu 50	2	1	1	1	1		
PKD-70	22	B16	1	R 22 / 70 mm ²	3	-	-	1	1	HPM400	1	R22 Cu 70	3	1	1	1	1		
PKD-95	23	B18	1	R 22 / 95 mm ²	3	-	-	1	1	HPM400	1	R22 Cu 95	3	1	1	1	1		
PKD-120	27	B19	1	R 22 / 120 mm ²	4	-	-	1	1	HPM400	2	R22 Cu 120	4	1	1	1	1		
PKD-150	32	B22* / 13B22**	1* / 2**	R 22 / 150 mm ²	4	-	-	1	-	HPM400	2	R22 Cu 150	4	1	1	1	1		
PKD-185	35	B25* / 13B25**	1* / 2**	R 22 / 185 mm ²	4	-	-	1	-	HPM400	2	R22 Cu 185	4	1	1	1	1		
PKD-240	39	B27* / 13B27**	1* / 2**	R 22 / 240 mm ²	4	-	-	1	-	HPM400	2	R22 Cu 240	4	1	1	1	1		
PKD-300	47	B30* / 13B30**	1* / 2**	R 22 / 300 mm ²	4	-	-	-	-	HPM400	2	R22 Cu 300	4	-	-	-	-		
PKD-400	49	B32* / 13B32**	1* / 2**	-	-	-	-	-	-	HPM400	2	-	-	-	-	-	-		

*/** die type/number of crimps

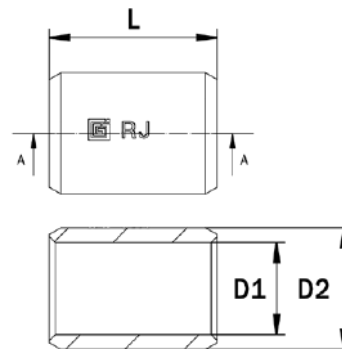
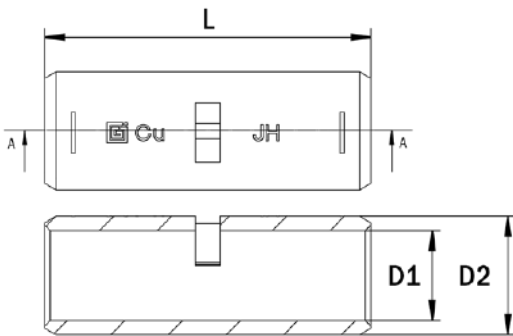
JH splice sleeves and RJ parallel sleeves



General: Splices and parallel sleeves are designed for extending and branching of copper cables and coils. Ouneva's sleeves are also compatible with PEX cables.

Use: Installation of the sleeves can be performed by the most basic crimping tools (see page 15).

Materials: The connectors are manufactured of 99,9 % pure copper and are electrolytically plated with tin.



JH splice connectors

STK code	Product code	Product name	Conductor (mm ²)	L (mm)	D1 (mm)	D2 (mm)	Weight (g)	Package (pcs)
52 066 00	VA03-0033	JH 0,75	0,75	14	1,4	3	1	100
52 066 05	VA03-0034	JH 1,5	1,5	14	1,6	3,4	1	100
52 066 10	VA03-0015	JH 2,0	2,5	15	2,3	3,9	1	100
52 017 40	VA03-0096	JH 2,5	2,5	15	2,6	4,2	1	100
52 066 20	VA03-0036	JH 6	6	19	3,6	6	3	100
52 066 25	VA03-0037	JH 10	10	21	5	8	6	100
52 066 30	VA03-0038	JH 16	16	29	6	9	9	100
52 066 35	VA03-0035	JH 25	25	35	8	11	14	100
52 066 40	VA03-0039	JH 35	35	35	9	13	22	100
52 066 45	VA03-0040	JH 50	50	40	11	14,5	25	50
52 066 50	VA03-0041	JH 70	70	40	13	17	33	50
52 066 55	VA03-0042	JH 95	95	55	15	20	67	50
52 066 60	VA03-0013	JH 120	120	55	17	22	74	50
52 066 65	VA03-0043	JH 150	150	55	19	25	99	25
52 066 70	VA03-0012	JH 185	185	70	21	27	138	25
52 066 75	VA03-0053	JH 240	240	70	22	29	156	25
52 066 80	VA03-0023	JH 300	300	75	24,5	31,5	180	10
52 066 85	VA03-0024	JH 400	400	100	30	38	210	10

RJ parallel sleeves

STK code	Product code	Product name	Conductors max (mm ²)	L (mm)	D1 (mm)	D2 (mm)	Weight (g)	Package (pcs)
52 012 80	VA03-0017	RJ 1,5	1,5	8	1,6	3,4	0,4	100
52 012 79	VA03-0016	RJ 2,0	2,5	8	2,3	3,9	0,6	100
52 017 39	VA03-0097	RJ 2,5	2,5	7	2,6	4,2	0,6	100
52 004 72	VA03-0026	RJ 6	6	10	3,6	6	2	100
52 004 73	VA03-0019	RJ 10	10	10	5	8	3	100
52 004 74	VA03-0020	RJ 16	16	14	6	9	4	100
52 004 97	VA03-0025	RJ 25	25	15	8	11	6	100
52 004 98	VA03-0021	RJ 35	35	19	9	13	10	100
52 004 99	VA03-0022	RJ 50	50	20	11	14,5	11	50
52 011 00	VA03-0032	RJ 70	70	20	13	17	15	50
52 011 03	VA03-0014	RJ 95	95	25	15	20	25	50
52 011 04	VA03-0027	RJ 120	120	27	17	22	30	50
52 011 09	VA03-0028	RJ 150	150	30	19	25	48	25
52 011 14	VA03-0029	RJ 185	185	35	21	27	56	25
52 011 18	VA03-0030	RJ 240	240	35	24	30	68	25
52 011 19	VA03-0031	RJ 300	300	40	26	32	83	10
52 012 19	VA03-0054	RJ 400	400	50	30	36	106	10

JHR Al/Cu splice connectors

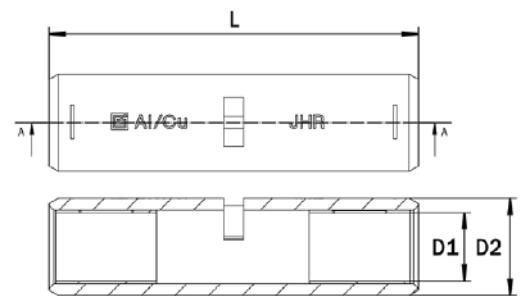


Use: JHR-series Al/Cu splice connectors are designed for extending of aluminium and copper cables and coils. Installation of the splices can be performed by the most basic crimping tools.

Materials: The JHR connectors are manufactured of 99,9 % pure copper and are electrolytically plated with tin. The raster mesh inside the tube is made of tin plated brass.



STK code	Product code	Product name	Conductor (mm²)	L (mm)	D1 (mm)	D2 (mm)	Weight (g)	Package (pcs)
52 017 34	VA03-0117	JHR 10	10	21	4,2	8	10	50
52 004 61	VA03-0057	JHR16	16	29	5,2	9	10	50
52 004 62	VA03-0044	JHR 25	25	40	7,2	11	16	50
52 004 63	VA03-0045	JHR 35	35	40	8,2	13	24	50
52 004 64	VA03-0046	JHR 50	50	55	10,2	14,5	27	50
52 004 66	VA03-0009	JHR 70	70	60	12,2	17	56	50
52 004 67	VA03-0047	JHR 95	95	60	14,2	20	79	50
52 004 68	VA03-0048	JHR 120	120	60	16,2	22	89	50
52 004 69	VA03-0011	JHR 150	150	75	18,2	25	103	25
52 004 71	VA03-0055	JHR 185	185	75	20,2	27	142	25
52 012 21	VA03-0080	JHR 240	240	75	23,2	30	168	25
52 012 23	VA03-0081	JHR 300	300	75	25,2	32	195	10
52 012 25	VA03-0082	JHR 400	400	100	29,2	36	222	10



Crimping tools for splice and parallel sleeves

JH / RJ / JHR	Stripping length of cable (mm)	Elpress hexagonal die		Klaue (K 50)		Klaue (EKM 60 ID-L, EKM 60 ID, EKM 60 ID ISM)		Klaue (EK 30 ID)		Novopress V-press		Milwaukee (M18 ONEHCCT60)		Elpress hexagonal die		HAUPA (SDE240-6M)		HILTI (NCR 60 D-22)	
Type-size (mm²)	(mm)	Die type	No. of crimps	Die type	No. of crimps	No. of crimps	No. of crimps	Die type	No. of crimps	Die type	No. of crimps	Die type	No. of crimps	Die type	No. of crimps	No. of crimps	No. of crimps	No. of crimps	No. of crimps
0,75	6*	-	-	R501	2* / 1**	-	-	-	-	-	-	-	-	-	-	-	-	-	-
1,5	7*	-	-	R501	2* / 1**	-	-	-	-	-	-	-	-	-	-	-	-	-	-
2,5	7*	-	-	R501	2* / 1**	-	-	-	-	-	-	-	-	-	-	-	-	-	-
(4)/6	9* / 9**	-	-	R502	2* / 1**	-	-	-	-	-	-	-	-	-	-	-	-	-	-
4/(6)	9* / 9**	-	-	R502	2* / 1**	-	-	-	-	-	-	-	-	-	-	-	-	-	-
10	10* / 10**	B8	2* / 1**	R502	2* / 1**	2* / 1**	2* / 1**	HPM400	2* / 1**	R22 OU/KRF 10	2* / 1**	13B8	2* / 1**	2* / 1**	2* / 1**	2* / 1**	2* / 1**	2* / 1**	2* / 1**
16	14* / 14**	B9	2* / 1**	-	-	2* / 1**	2* / 1**	HPM400	2* / 1**	R22 OU/KRF 16	4* / 2**	13B9	2* / 1**	2* / 1**	2* / 1**	2* / 1**	2* / 1**	2* / 1**	2* / 1**
25	16* / 15**	B11	2* / 1**	-	-	2* / 1**	2* / 1**	HPM400	2* / 1**	R22 OU/KRF 25	4* / 2**	13B11	2* / 1**	2* / 1**	2* / 1**	2* / 1**	2* / 1**	2* / 1**	2* / 1**
35	16* / 16**	B13	2* / 1**	-	-	2* / 1**	2* / 1**	HPM400	2* / 1**	R22 OU/KRF 35	4* / 2**	13B13	2* / 1**	2* / 1**	2* / 1**	2* / 1**	2* / 1**	2* / 1**	2* / 1**
50	19* / 18**	B14,5	2* / 1**	-	-	2* / 1**	2* / 1**	HPM400	2* / 1**	R22 OU/KRF 50	4* / 3**	13B14,5	2* / 1**	2* / 1**	2* / 1**	2* / 1**	2* / 1**	2* / 1**	2* / 1**
70	19* / 18**	B17	2* / 1**	-	-	2* / 1**	2* / 1**	HPM400	2* / 1**	R22 OU/KRF 70	4* / 3**	13B17	2* / 1**	2* / 1**	2* / 1**	2* / 1**	2* / 1**	2* / 1**	2* / 1**
95	21* / 20**	B20	2* / 1**	-	-	2* / 1**	2* / 1**	HPM400	2* / 1**	R22 OU/KRF 95	6* / 3**	13B20	2* / 1**	2* / 1**	2* / 1**	2* / 1**	2* / 1**	2* / 1**	2* / 1**
120	21* / 22**	B22	2* / 1**	-	-	2* / 1**	2* / 1**	HPM400	4* / 2**	R22 OU/KRF 120	6* / 3**	13B22	4* / 2**	2* / 1**	2* / 1**	2* / 1**	2* / 1**	2* / 1**	2* / 1**
150	26* / 26**	B25	2* / 1**	-	-	2* / 1**	-	HPM400	4* / 2**	R22 OU/KRF 150	6* / 3**	13B25	4* / 2**	2* / 1**	2* / 1**	2* / 1**	2* / 1**	2* / 1**	2* / 1**
185	34* / 30**	B27	2* / 1**	-	-	2* / 1**	-	HPM400	4* / 2**	R22 OU/KRF 185	8* / 4**	13B27	4* / 2**	2* / 1**	2* / 1**	2* / 1**	2* / 1**	2* / 1**	2* / 1**
240	34* / 30**	B30	2* / 1**	-	-	2* / 1**	-	HPM400	4* / 2**	R22 OU/KRF 240	8* / 4**	13B30	4* / 2**	2* / 1**	2* / 1**	2* / 1**	2* / 1**	2* / 1**	2* / 1**
300	36* / 35**	B32	2* / 1**	-	-	-	-	HPM400	4* / 2**	R22 OU/KRF 300	8* / 4**	13B32	4* / 2**	-	-	-	-	-	-
400	36* / 40**	B36	2* / 1**	-	-	-	-	HPM400	4* / 2**	-	-	-	-	-	-	-	-	-	-

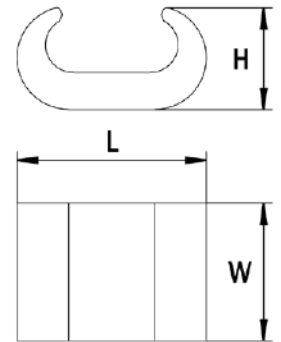
*JH/JHR **RJ

C-sleeves



Use: C-sleeves are designed for connecting, branching and extending of copper lines.
 Short-circuit tested connectors according to the latest IEC 60947-7-2 marked **.
 Short-circuit tested connectors according to the EN 61238-1-1:2019 (excluding C4, C16 and C16-9).

Materials: C-sleeves are manufactured of 99,9% pure copper.



STK code	Product code	Product name	Conductor (mm²)	L (mm)	H (mm)	W (mm)	Crimping dies (Elpress)	Milwaukee (M18 ONEHCCT60)	Weight (g)	Package (pcs)
50 403 04	VA05-0010	C4	6-10/6-10	13	8	12	BC4		5	100
50 403 00	VA05-0011	C5	10-16/10-16	16	10	15	BC5		10	100
50 403 05	VA05-0001	C6-3	16-25/6	19	12	16	BC6		19	100
50 403 06	VA05-0002	C6	16-25/16-25	22	11,8	16	BC6	C22 CU25/C6	18	100
50 403 01	VA05-0012	C8-6	25-35/16-25	28	18	22,7	BC8-9		60	50
50 403 08	VA05-0003	C8	25-35/25-35	28	18	23	BC8-9	C22 CU35-50/C8C9	58	50
50 403 10	VA05-0008	C9-6	35-50/16-25	28	18	23	BC8-9		58	50
50 403 02	VA05-0013	C9-8	35-50/25-35	28	18	23	BC8-9		56	50
50 403 09	VA05-0004	C9**	35-50/35-50	28	18	23	BC8-9	C22 CU35-50/C8C9	51	50
50 403 03	VA05-0014	C11-8	50-70/25-35	31	19	23	BC11		63	50
50 403 07	VA05-0015	C11-9	50-70/35-50	31	19	23	BC11		60	50
50 403 11	VA05-0005	C11**	50-70/50-70	31	19	24	BC11		59	50
50 403 12	VA05-0016	C13-8	70-95/25-35	35	22	25	BC13* / 13BC13		89	50
50 403 14	VA05-0017	C13-9	70-95/35-50	35	22	25	BC13* / 13BC13		87	50
50 403 16	VA05-0018	C13-11	70-95/50-70	35	22	25	BC13* / 13BC13		82	50
50 403 13	VA05-0007	C13**	70-95/70-95	35	22	25	BC13* / 13BC13		74	50
50 403 17	VA05-0019	C15-8	95-120/25-35	41	26	30	BC15* / 13BC15		152	25
50 403 18	VA05-0020	C15-9	95-120/35-50	41	26	30	BC15* / 13BC15		149	25
50 403 19	VA05-0021	C15-11	95-120/50-70	41	26	30	BC15* / 13BC15		144	25
50 403 20	VA05-0022	C15-13	95-120/70-95	41	26	30	BC15* / 13BC15		136	25
50 403 15	VA05-0006	C15**	95-120/95-120	41	26	30	BC15* / 13BC15		123	25
50 403 22	VA05-0024	C16-9	120-150/35-50	53	30	35	25BC16*		264	10
50 403 21	VA05-0023	C16	120-150/120-150	53	30	35	25BC16*		232	10

* Not suitable with Elpress 1300-system

Tin-plated C-sleeves

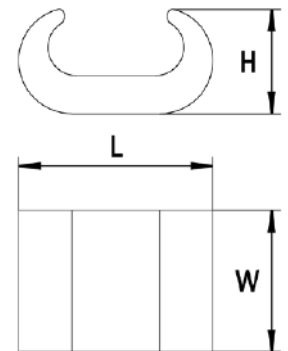


C-sleeves are also available with tin plating. They are designed for challenging environments.



STK code	Product code	Product name	Conductor (mm ²)	L (mm)	H (mm)	W (mm)	Crimping dies (Elpress)	Milwaukee (M18 ONEHCCT60)	Weight (g)	Package (pcs)
50 403 33	VA05-0029	C4 Tin	6-10/6-10	13	8	12	BC4		5	100
50 403 32	VA05-0030	C5 Tin	10-16/10-16	16	10	15	BC5		10	100
50 403 24	VA05-0031	C6-3 Tin	16-25/6	19	12	16	BC6		19	100
50 403 26	VA05-0026	C6 Tin	16-25/16-25	22	11,8	16	BC6	C22 CU25/C6	18	100
50 403 34	VA05-0032	C8-6 Tin	25-35/16-25	28	18	22,7	BC8-9		60	50
50 403 28	VA05-0033	C8 Tin	25-35/25-35	28	18	23	BC8-9	C22 CU35-50/C8C9	58	50
50 403 36	VA05-0034	C9-6 Tin	35-50/16-25	28	18	23	BC8-9		58	50
50 403 38	VA05-0035	C9-8 Tin	35-50/25-35	28	18	23	BC8-9		56	50
50 403 29	VA05-0036	C9 Tin	35-50/35-50	28	18	23	BC8-9	C22 CU35-50/C8C9	51	50
50 403 42	VA05-0037	C11-8 Tin	50-70/25-35	31	19	23	BC11		63	50
50 403 43	VA05-0038	C11-9 Tin	50-70/35-50	31	19	23	BC11		60	50
50 403 30	VA05-0027	C11 Tin	50-70/50-70	31	19	24	BC11		59	50
50 403 44	VA05-0039	C13-8 Tin	70-95/25-35	35	22	25	BC13* / 13BC13		89	50
50 403 46	VA05-0040	C13-9 Tin	70-95/35-50	35	22	25	BC13* / 13BC13		87	50
50 403 48	VA05-0041	C13-11 Tin	70-95/50-70	35	22	25	BC13* / 13BC13		82	50
50 403 49	VA05-0046	C13 Tin	70-95/70-95	35	22	25	BC13* / 13BC13		74	50
50 403 51	VA05-0042	C15-8 Tin	95-120/25-35	41	26	30	BC15* / 13BC15		152	25
50 403 53	VA05-0043	C15-9 Tin	95-120/35-50	41	26	30	BC15* / 13BC15		149	25
50 403 55	VA05-0044	C15-11 Tin	95-120/50-70	41	26	30	BC15* / 13BC15		144	25
50 403 57	VA05-0045	C15-13 Tin	95-120/70-95	41	26	30	BC15* / 13BC15		136	25
50 403 31	VA05-0028	C15 Tin	95-120/95-120	41	26	30	BC15* / 13BC15		123	25
50 403 59	VA05-0047	C16 Tin	120-150/35-50	53	30	35	25BC16*		264	10
50 403 58	VA05-0048	C16-9 Tin	120-150/120-150	53	30	35	25BC16*		232	10

* Not suitable with Elpress 1300-system

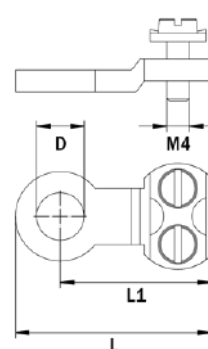


Screw cable lugs



Use: Screw cable lug is designed for connecting copper wires. It can be installed without any special tools.

Materials: The lug is made of 99,9% pure copper and electrolytically plated with tin. Tightening screws and the bracket are made of steel and plated with zinc.



STK code	Product code	Product name	Conductor (mm ²)	L (mm)	L1 (mm)	D (mm)	Tightening screw	Weight (g)	Package (pcs)
52 003 30	VA06-0001	RKK 1,5-16	1,5-16	26	20	8,5	M4	19	100

Aluminium cable lugs and connectors

Aluminium cable lugs and connectors are made of unplated aluminium, tin-plated copper or tin-plated aluminium. Unplated cable lugs and connectors are for aluminium cables only and tin-plated for aluminium and copper cables.

All the screw-installed products come with pre-greased contact surfaces to make the installation simple. The installation can be done with product-specific crimping tools or a torque wrench.



Be sure to carefully prepare the aluminium conductors according to the installation guide before installation.

Also make sure that the material of the connector used is suitable for the conductor.

Product documents:



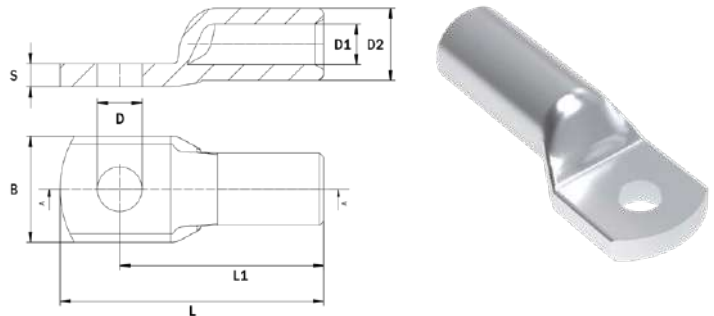
Aluminium cable lugs OLA



General: OLA aluminium cable lugs are delivered with a conical washer and two (2) pcs of flat pressure washers. Installation of OLA connectors can be made with tested and approved crimping tools. Contact surfaces are treated with a corrosion preventing grease.

Use: OLA aluminium cable lugs are designed to be used when connecting aluminium cables. In dry environments OLA connectors can also be connected to tin-plated, silver-plated and unplated copper busbars if joint grease is used. Connectors are also compatible with PEX cables.

Materials: Connectors are made of unplated aluminium.



STK code	Product code	Product name	Conductor (mm ²)	D (mm)	L (mm)	L1 (mm)	D1 (mm)	D2 (mm)	B (mm)	S (mm)	Weight (g)	Package (pcs in a bag / box)
52 023 30	VB01-0073	OLA 16-8	16	8,5	53	41,5	5,4	11	18	3,5	5	3 / 90
52 012 03	VB01-0066	OLA 16-12	16	12,5	66	49,5	5,4	11	18	3,5	7	3 / 90
52 023 35	VB01-0002	OLA 25-8	25	8,5	53,5	42,5	6,8	13	20	4	8	3 / 90
52 004 51	VB01-0026	OLA 25-12	25	12,5	65	49	6,8	13	20	4,5	9	3 / 90
52 023 40	VB01-0003	OLA 35-8	35	8,5	54,5	43,5	8,2	15	20	5	12	3 / 90
52 012 05	VB01-0024	OLA 35-12	35	12,5	66	49	8,2	15	20	5,5	14	3 / 90
52 023 45	VB01-0058	OLA 50-10	50	10,5	61,5	48	9,6	17	25	6	17	3 / 90
52 012 07	VB01-0029	OLA 50-12	50	12,5	67	50,5	9,6	17	25	6	20	3 / 90
52 023 50	VB01-0059	OLA 70-10	70	10,5	74	60	11,5	21	25	9	40	3 / 90
52 004 52	VB01-0067	OLA 70-12	70	12,5	80	63	11,5	21	32	7	45	3 / 90
52 023 55	VB01-0060	OLA 95-12	95	12,5	88	70	13,5	23	32	9	58	3 / 90
52 012 09	VB01-0036	OLA 120-10	120	10,5	87	69	15,5	26	32	10	72	3 / 90
52 023 60	VB01-0061	OLA 120-12	120	12,5	87	70	15,5	26	32	10	71	3 / 90
52 023 65	VB01-0062	OLA 150-12	150	12,5	94	76	16,5	26	32	9	71	3 / 90
52 012 11	VB01-0070	OLA 150-16	150	16,5	94	77	16,5	26	40	8	79	3 / 90
52 012 78	VB01-0037	OLA 185-10	185	10,5	98	80	18,7	29	34	10	92	3 / 90
52 023 70	VB01-0063	OLA 185-12	185	12,5	98	80	18,7	29	34	10	91	3 / 90
52 012 13	VB01-0031	OLA 185-16	185	16,5	111,5	89,5	18,7	29	41	10	106	3 / 90
52 023 75	VB01-0064	OLA 240-12	240	12,5	111,5	94	21	31	40	10	112	3 / 90
52 012 15	VB01-0038	OLA 240-16	240	17	125	102,5	21	31	44	10	129	3 / 90
52 023 80	VB01-0065	OLA 300-12	300	12,5	98	80	22,5	33	40	10	104	3 / 90
52 012 17	VB01-0074	OLA 300-16	300	17	112	88,5	22,5	33	46	10	123	3 / 90
52 004 01	VB01-0001	OLA 800-2x14	800	2 x 14	261	201 / 241	36	60	40	20	964	1 / 15

Crimping tools for OLA cable lugs

OLA	Stripping length of cable (mm)	Elpress (hexagonal die)		Burndy (round die)		Novopress HP 300		Novopress HPM 400		Thomas & Betts TBM-8		Klauke (EKM 60 ID-L, EKM 60 ID, HAUPA (SDE240-6M), EKM 60 ID ISM)	HILTI (NCR 60 D-22)
OLA - size (mm ²)	(mm)	Die type	No. of crimps	Die type	No. of crimps	Die type	No. of crimps	Die type	No. of crimps	Die type	No. of crimps	No. of crimps	No. of crimps
OLA 16	30	B11	2	U237	2	-	-	-	-	13461 Brown	2	1	-
OLA 25	30	B13	2	U250	4	-	-	-	-	13462 Green	2	1	-
OLA 35	35	B14,5	2	U250	4	35-50	3	16-400	3	13462 Black	3	1	-
OLA 50	40	B16	2	U252	4	35-50	3	16-400	3	13464 Tan	3	1	1
OLA 70	45	B20	2	U166	3	70-240	3	16-400	3	13464 Ruby	3	1	1
OLA 95	50	B22	2	U247	2	70-240	3	16-400	3	13465 White	4	2	2
OLA 120	55	B25	2	U249	3	70-240	3	16-400	3	13467 Blue	4	2	2
OLA 150	55	B25	2	U249	3	70-240	3	16-400	3	13467 Blue	4	2	2
OLA 185	60	B28*	2	U251	3	70-240	3	16-400	3	-	-	2	2
OLA 240	65	B30*	2	U316	3	70-240	4	16-400	3	-	-	2	2
OLA 300	65	B32*	2	U317	3	70-240	3	16-400	3	-	-	-	-
OLA 800	130	Elpress matrix crimp / Matrix holder: V1471 / Matrix: W60M / Punch: W60D / Total two (2) pcs crimps											

*Not suitable with Elpress 1300-system

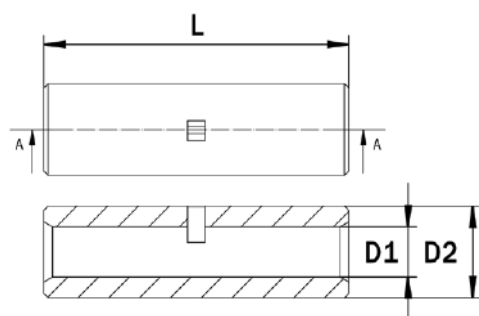
Aluminium splice connector OJA



General: Installation of OJA connectors can be made with tested and approved crimping tools. Contact surfaces are treated with a corrosion preventing grease.

Use: OJA splice connector is a crimping-type connector designed to be used when extending aluminium cables. Connectors are also compatible with PEX cables.

Materials: Connectors are made of unplated aluminium.



STK code	Product code	Product name	Conductor (mm ²)	L (mm)	D1 (mm)	D2 (mm)	Weight (g)	Package (pcs in a bag / box)
52 073 30	VB02-0010	OJA 16	16	50	5,4	11	11	3 / 90
52 073 35	VB02-0011	OJA 25	25	60	6,8	13	17	3 / 90
52 073 40	VB02-0001	OJA 35	35	60	8,2	15	21	3 / 90
52 073 45	VB02-0002	OJA 50	50	70	9,6	17	31	3 / 90
52 073 50	VB02-0003	OJA 70	70	70	11,5	21	49	3 / 90
52 073 55	VB02-0004	OJA 95	95	90	13,5	23	69	3 / 90
52 073 60	VB02-0005	OJA 120	120	90	15,5	26	87	3 / 90
52 073 65	VB02-0006	OJA 150	150	100	16,5	26	84	3 / 90
52 073 70	VB02-0007	OJA 185	185	100	18,7	29	111	3 / 90
52 073 75	VB02-0008	OJA 240	240	120	21	31	138	3 / 90
52 073 80	VB02-0009	OJA 300	300	120	22,5	33	121	3 / 90
52 004 02	VB02-0012	OJA 800	800	288	36	60	1379	1 / 15

Crimping tools for OJA cable lugs

OJA	Stripping length of cable (mm)	Epress (hexagonal die)		Burndy (round die)		Novopress HP 300		Novopress HPM 400		Thomas & Betts TBM-8		Klaue (EKM 60 ID-L, EKM 60 ID, EKM 60 ID ISM)	HILTI (SDE240-6M)	HILTI (NCR 60 D-22)	
OJA - size (mm ²)	(mm)	Die type	No. of crimps	Die type	No. of crimps	Die type	No. of crimps	Die type	No. of crimps	Die type	No. of crimps	No. of crimps	No. of crimps	No. of crimps	
OJA 16	30	B11	4	U237	2	-	-	-	-	13461 Brown	6	2	-	-	
OJA 25	35	B13	4	U250	8	-	-	-	-	13462 Green	6	2	-	-	
OJA 35	35	B14,5	4	U250	8	35-50	6	16-400	6	13462 Black	6	2	-	-	
OJA 50	40	B16	4	U252	8	35-50	6	16-400	6	13464 Tan	6	2	2	2	
OJA 70	40	B20	4	U166	6	70-240	6	16-400	6	13464 Ruby	6	2	2	2	
OJA 95	50	B22	4	U247	4	70-240	6	16-400	6	13465 White	8	4	4	4	
OJA 120	50	B25	4	U249	4	70-240	6	16-400	6	13467 Blue	8	4	4	4	
OJA 150	55	B25	4	U249	4	70-240	6	16-400	6	13467 Blue	8	4	4	4	
OJA 185	55	B28*	4	U251	6	70-240	6	16-400	6	-	-	4	4	4	
OJA 240	55	B30*	4	U316	6	70-240	6	16-400	6	-	-	4	4	4	
OJA 300	60	B32*	4	U317	6	70-240	6	16-400	6	-	-	-	-	-	
OJA 800	130	Epress matrix crimp / Matrix holder: V1471 / Matrix: W60M / Punch: W60D / Total four (4) pcs crimps													

*Not suitable with Epress 1300-system

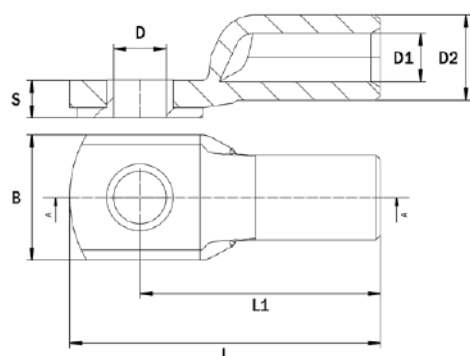
Al/Cu bi-metal cable lug OSCU



General: OSCU connectors are delivered with a conical washer and two (2) pcs of flat pressure washers. Installation of OSCUs can be made with tested and approved crimping tools. Contact surfaces are treated with a corrosion preventing grease.

Use: OSCU Al/Cu bi-metal connector is a crimping-type cable lug for aluminium cables. OSCU connectors can be directly connected to tin-plated, silver-plated and unplated copper busbars in damp locations. Connectors are also compatible with PEX cables.

Materials: Connectors are made of unplated aluminium. Pre-installed copper ring is tin-plated.



STK code	Product code	Product name	Conductor (mm ²)	D (mm)	L (mm)	L1 (mm)	D1 (mm)	D2 (mm)	B (mm)	S (mm)	Weight (g)	Package (pcs in a bag / box)
52 030 30	VB03-0001	OSCU 16-8	16	8,5	53	41,5	5,4	11	18	6	27	3 / 90
52 030 35	VB03-0002	OSCU 25-8	25	8,5	53,5	42,5	6,8	13	20	7	31	3 / 90
52 030 40	VB03-0003	OSCU 35-8	35	8,5	54,5	43,5	8,2	15	20	8	36	3 / 90
52 030 45	VB03-0004	OSCU 50-10	50	10,5	61,5	48	9,6	17	25	8	53	3 / 90
52 030 50	VB03-0005	OSCU 70-10	70	10,5	74	60	11,5	21	25	12	99	3 / 90
52 030 55	VB03-0006	OSCU 95-12	95	12,5	88	70	13,5	23	32	12	120	3 / 90
52 030 60	VB03-0007	OSCU 120-12	120	12,5	87	70	15,5	26	32	14	133	3 / 90
52 030 65	VB03-0008	OSCU 150-12	150	12,5	94	76	16,5	26	32	12	133	3 / 90
52 030 70	VB03-0009	OSCU 185-12	185	12,5	98	80	18,7	29	34	14	156	3 / 90
52 030 75	VB03-0010	OSCU 240-12	240	12,5	111,5	94	21	31	40	13	187	3 / 90
52 030 80	VB03-0011	OSCU 300-12	300	12,5	98	80	22,5	33	40	14	180	3 / 90

Crimping tools for OSCU bi-metal cable lugs

OSCU	Stripping length of cable (mm)	Elpress (hexagonal die)		Burndy (round die)		Novopress HP 300		Novopress HPM 400		Thomas & Betts TBM-8		Klaue (EKM 60 ID-L, EKM 60 ID, EKM 60 ID ISM)	HAUPA (SDE240-6M)	HILTI (NCR 60 D-22)
		Die type	No. of crimps	Die type	No. of crimps	Die type	No. of crimps	Die type	No. of crimps	Die type	No. of crimps	No. of crimps	No. of crimps	No. of crimps
OSCU 16	30	B11	2	U237	2	-	-	-	-	13461 Brown	2	1	-	-
OSCU 25	30	B13	2	U250	4	-	-	-	-	13462 Green	2	1	-	-
OSCU 35	35	B14,5	2	U250	4	35-50	3	16-400	3	13462 Black	3	1	-	-
OSCU 50	40	B16	2	U252	4	35-50	3	16-400	3	13464 Tan	3	1	1	1
OSCU 70	45	B20	2	U166	3	70-240	3	16-400	3	13464 Ruby	3	1	1	1
OSCU 95	50	B22	2	U247	2	70-240	3	16-400	3	13465 White	4	2	2	2
OSCU 120	55	B25	2	U249	3	70-240	3	16-400	3	13467 Blue	4	2	2	2
OSCU 150	55	B25	2	U249	3	70-240	3	16-400	3	13467 Blue	4	2	2	2
OSCU 185	60	B28*	2	U251	3	70-240	3	16-400	3	-	-	2	2	2
OSCU 240	65	B30*	2	U316	3	70-240	4	16-400	3	-	-	2	2	2
OSCU 300	65	B32*	2	U317	3	70-240	3	16-400	3	-	-	-	-	-

*Not suitable with Elpress 1300-system

Al/Cu shear bolt cable lugs ROLA

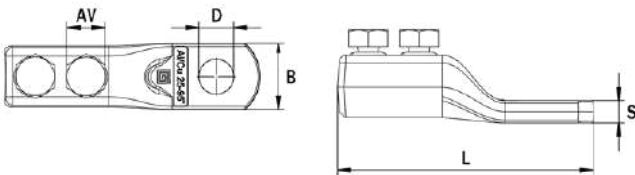


General: Joint is made with shear bolts, which makes installations permanent. Contact surfaces are treated with a corrosion preventing grease.

Use: ROLA shear bolt cable lugs are designed to be used with aluminium and copper cables.

Materials: Connectors are made of aluminium and plated with tin. Shear bolts are made of tin-plated brass.

Standard: EN IEC 61238-1-1:2019



STK code	Product code	Product name	Conductor (mm ²)	Tightening torque	D (mm)	AV (mm)	L (mm)	B (mm)	S (mm)	Weight (g)	Package (pcs)
52 011 74	VB05-0001	ROLA 10-50 M12 Al-Cu	10-50	7-10 Nm	12,5	10	77	20	7	49	3
52 011 82	VB05-0002	ROLA 25-95 M12 Al-Cu	25-95	21-27 Nm	12,5	14	93	24	8	107	3
52 011 83	VB05-0003	ROLA 95-185 M12 Al-Cu	95-185	36-43 Nm	12,5	18	103	29	9	163	3
52 011 87	VB05-0004	ROLA 185-300 M12 Al-Cu	185-300	48-56 Nm	12,5	22	123	34	10	300	3

Al/Al shear bolt splice connectors

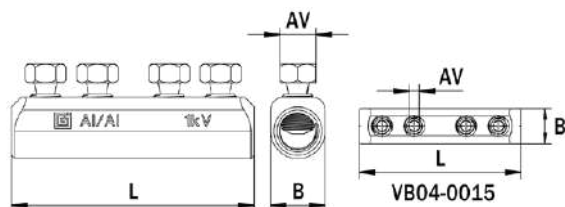


General: Joint is made with shear bolts which makes installations permanent. Contact surfaces are treated with a corrosion preventing grease.

Use: Shear bolt splice connectors are designed for extending aluminium cables within the size range from 6 to 300 mm². Installation is made with shear head screws (excl. 1,5-6 connectors which are installed with crimping tools and 6-25 connectors which are installed with allen key).

Materials: Splice connectors and shear bolts are made of unplated aluminium. VB04-0015 shear bolts are made of stainless steel.

Standard: EN IEC 61238-1-1:2019



STK code	Product code	Type	Conductor (mm ²)	L (mm)	B (mm)	AV (mm)	Weight (g)	Package (pcs in a bag / box)
52 012 82	VB04-0015	4 screw 1 kV	6-25 Al/Cu	50	11	3	15	4/40
52 017 04	VB04-0027	2 screw 1 kV	16-50 Al	43	17	11	26	4/40
52 017 05	VB04-0016	4 screw 1 kV	16-50 Al	75	17	11	47	4/40
52 017 03	VB04-0028	2 screw 1 kV	70-95 Al	51	20	14	35	4/40
52 017 06	VB04-0017	4 screw 1 kV	70-95 Al	91	20	14	65	4/40
52 017 07	VB04-0018	4 screw 1 kV	120-185 Al	112	29	18	150	4/40
52 017 08	VB04-0019	4 screw 1 kV	240-300 Al	136	36	22	309	4/40

Low voltage cable joint packages



General: Package includes connectors and accessories for connecting 4- or 5- conductor systems. Screw connectors are pre-treated with connection grease for corrosion prevention. Installation is made with shear head screws (excl. 1,5-6 connectors which are installed with crimping tools and 6-25 connectors which are installed with allen key).

Use: VB04-0031 package includes connectors and shrink tubes for connecting 4- or 5-conductor <1kV Voltage copper cables. Screw connectors can be used for AXMK cable connections, for example.

Materials: Connectors are made of unplated aluminium (VB04-0031: Tin-plated copper). Heat shrink tubes are made of modified polyethylene.

Standard: EN IEC 61238-1-1:2019

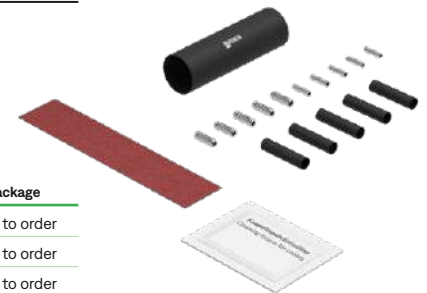
Cable joint packages for 4-conductor systems (Al/Al)

STK code	Product code	Product name	Conductor (mm ²)	Weight (g)	Package
5201286	VB04-0021	Al/Al Cable joint package 4×16-50 mm ²	4xAl 16-50	564	Acc. to order
5201287	VB04-0022	Al/Al Cable joint package 3×16-50 + 6-25 mm ²	3xAl 16-50 + 1xAl/Cu 6-25	404	Acc. to order
5201288	VB04-0023	Al/Al Cable joint package 4×70-95 mm ²	4xAl 70-95	842	Acc. to order
5201289	VB04-0024	Al/Al Cable joint package 3×70-95 + 6-25 mm ²	3xAl 70-95 + 1xAl/Cu 6-25	786	Acc. to order
5201290	VB04-0025	Al/Al Cable joint package 4×120-185 mm ²	4xAl 120-185	1371	Acc. to order
5201291	VB04-0026	Al/Al Cable joint package 4×240-300 mm ²	4xAl 240-300	2167	Acc. to order



Cable joint packages for 5-conductor systems (Al/Al)

STK code	Product code	Product name	Conductor (mm ²)	Weight (g)	Package
52 017 11	VB04-0031	Cable joint package 5×1,5-6 mm ²	5xCu 1,5-6	100	Acc. to order
52 017 13	VB04-0034	Cable joint package 5×6-25 mm ²	5xAl/Cu 6-25	235	Acc. to order
52 017 14	VB04-0035	Cable joint package 4×16-50 + 6-25 mm ²	4xAl 16-50 + 1xAl/Cu 6-25	420	Acc. to order
52 017 15	VB04-0036	Cable joint package 4×70-95 + 16-50 mm ²	4xAl 70-95 + 1xAl/Cu 16-50	860	Acc. to order
52 017 16	VB04-0037	Cable joint package 4×120-185 mm ² + 70-95 mm ²	4xAl 120-185 + 1xAl/Cu 70-95	1400	Acc. to order
52 017 17	VB04-0038	Cable joint package 4×240-300 mm ² + 70-95 mm ²	4xAl 240-300 + 1xAl/Cu 70-95	2200	Acc. to order



Splice connectors for unstripped cable



Shear bolt splice connectors can be used for unstripped cables in ingress protection demanding conditions. Assembly includes 400 mm fine stranded conductor.

STK code	Product code	Conductor (mm ²)	Wire type	Colour	Weight (g)	Package (pcs)
52 023 03	VA03-0119	Al 25-50/Cu 16	Black NEK	●	120	9
53 023 04	VA03-0120	Al 25-50/Cu 16	Brown NEK	●	120	9
54 023 05	VA03-0121	Al 25-50/Cu 16	Grey NEK	●	120	9
55 023 06	VA03-0122	Al 25-50/Cu 16	Blue NEK	●	120	9
56 023 07	VA03-0123	Al 25-50/Cu 16	Yellow/Green NEK	●	120	9
56 023 09	VA03-0125	Al 25-50/ 2xCu 16	Yellow/Green + Blue NEK	●●	200	9



Al/Cu shear bolt splice connectors

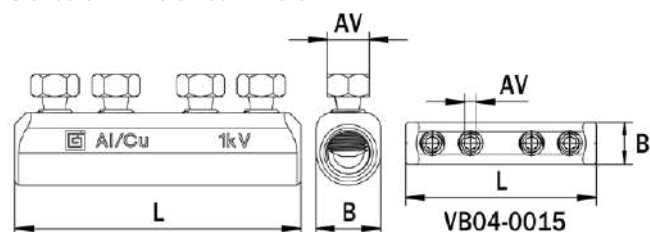


General: Joint is made with shear bolts which makes installations permanent. Contact surfaces are treated with a corrosion preventing grease.

Use: Connector includes dividing wall so it is suitable for aluminium and copper cables coupling from 6 to 300mm². Installation is made with shear head screws (excl. 1,5-6 connectors which are installed with crimping tools and 6-25 connectors which are installed with allen key).

Materials: Connectors are made of tin-plated aluminium.

Standard: EN IEC 61238-1-1:2019



STK code	Product code	Type	Conductor (mm ²)	L (mm)	B (mm)	AV (mm)	Weight (g)	Package (pcs in a bag / box)
52 012 82	VB04-0015	4-screw 1 kV	6-25 Al/Cu	50	11	3	15	4/40
52 017 44	VB04-0040	4-screw 1 kV	16-50 Al/Cu	75	17	11	50	4/40
52 017 48	VB04-0041	4-screw 1 kV	70-95 Al/Cu	91	20	14	66	4/40
52 017 49	VB04-0042	4-screw 1 kV	120-185 Al/Cu	112	29	18	184	4/40
52 017 53	VB04-0043	4-screw 1 kV	240-300 Al/Cu	136	36	22	312	4/40

Al/Cu low voltage cable joint packages



Cable joint packages for 4-conductor systems (Al/Cu)

STK code	Product code	Product name	Conductor (mm ²)	Weight (g)	Package
5201285	VB04-0020	Al/Cu Cable joint package 4×6-25 mm ²	4xAl/Cu 6-25	225	Acc. to order
5201758	VB04-0044	Al/Cu Cable joint package 4×16-50 mm ²	4xAl/Cu 16-50	576	Acc. to order
5201759	VB04-0045	Al/Cu Cable joint package 4×70-95 mm ²	4xAl/Cu 70-95	846	Acc. to order
5201763	VB04-0046	Al/Cu Cable joint package 4×120-185 mm ²	4xAl/Cu 120-185	1507	Acc. to order
5201764	VB04-0047	Al/Cu Cable joint package 4×240-300 mm ²	4xAl/Cu 240-300	2179	Acc. to order

Universal connectors

Ouneva universal connectors are suitable for use in diverse applications. They can be used in connecting, as well as branching aluminium and copper conductors and cables as well as busbars. The universal connectors are tested and certified connectors up to 1500 volts. They are easy to install without special tools to ensure the best user experience.

Did you know that only one aluminium conductor can be connected in the same contact space and that you cannot mix conductor materials in the same contact space?



Product documents:



Ouneva OTL and OJL connector families are tested and certified (EN 60947-7-1:2009 and EN 61238:1:2003) Class A electrical connectors suitable for both copper and aluminium conductors. Be sure to carefully prepare the aluminium conductors according to the installation guide before installation.

OTL universal connectors



General:

The OTL universal connectors offer the best quality on the market in addition to features, that increase the safety and ease of installation of the connectors and enable versatile end usage applications. Pregreased contact spaces and the connection done with hex screws guarantee easy and quick installation.

The compact size of the connectors enables efficient use of space even in constricted installation spaces.

Use:

OTL connectors are designed for connecting and branching aluminium and copper conductors.

Materials:

The body is made of tin-plated aluminium. Housing is made of halogen-free UL94 V0-class polyamide.

Standards:

EN 60947-7-1:2009, EN 60947-7-2:2009, EN 61238-1:2003, UL1059 and CSA C22.2 No 158-10.

Six reasons to choose OTL universal connectors

1

Higher
1000 V AC/ 1500 V DC
voltage rating

2

Tightening
torque labels on
the connector cover

3

Places for
component markers
(5 mm width
eg. Partex Tx)



4

Easier installation
with conductor
input collars

5

All five colours
UL- approved

6

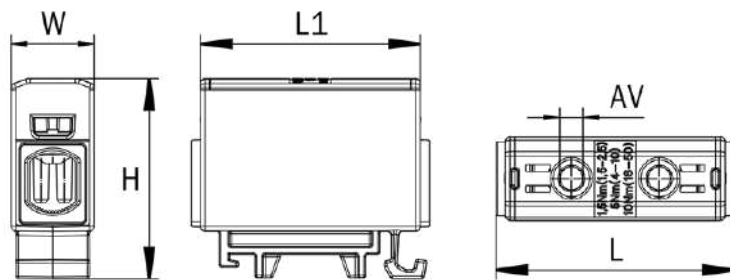
Safe UL 94 V-0 class
plastic material

OTL universal connectors



OTL universal connectors 1xAl/Cu 1,5–50 mm²

DIN-rail mounting.



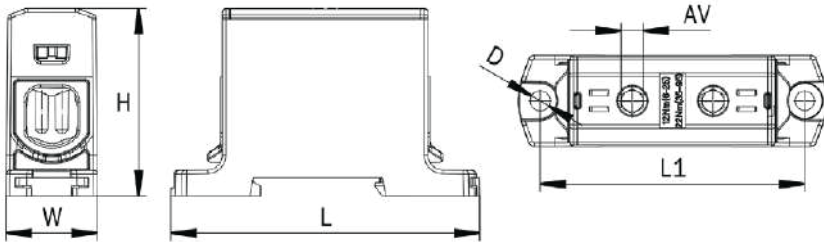
STK code	Product code	Colour	Conductor (mm ²)	Un (V)		In (A)		Tightening torque	L (mm)	L1 (mm)	H (mm)	W (mm)	AV (mm)	Weight (g)	Package (pcs)	
				Un (V)	In (A)	Un (V)	In (A)									
19 141 00	VC05-0010	Grey	1xAl/Cu 1,5-16	1000 V AC / 1500 V DC	82 (Cu) / 75 (Al)	1000 V	85 (Cu) / 65 (Al)	1,5 Nm (1,5 mm ²), 3,5 Nm (2,5-6 mm ²), 7 Nm (10-16 mm ²)	46,8	42	39,7	13,5	4	17	66	
19 141 01	VC05-0001	Blue														
19 141 02	VC05-0045	Yellow/Green														
19 120 10	VC05-0140	Red														
19 120 14	VC05-0141	Black	1xAl/Cu 2,5-35	1000 V AC / 1500 V DC	135 (Cu) / 120 (Al)	1000 V	115 (Cu) / 90 (Al)	3 Nm (2,5-16 mm ²), 6 Nm (25-35 mm ²)	47	45	40	16	4	27	54	
19 120 59	VC05-0191	Grey														
19 120 60	VC05-0192	Blue														
19 120 61	VC05-0193	Yellow/Green														
19 123 56	VC05-0245	Red	1xAl/Cu 1,5-50	1000 V AC / 1500 V DC	160 (Cu) / 145 (Al)	1000 V	150 (Cu) / 120 (Al)	1,5 Nm (1,5-2,5 mm ²), 5 Nm (4-10 mm ²), 10 Nm (16-50 mm ²)	51,6	48	43	18	5	31	48	
19 123 55	VC05-0244	Black														
19 141 03	VC05-0013	Grey														
19 141 04	VC05-0046	Blue														
19 141 05	VC05-0047	Yellow/Green														
19 120 24	VC05-0142	Red														
19 120 25	VC05-0143	Black														

OTL universal connectors



OTL universal connectors 1xAl/Cu 6–300 mm²

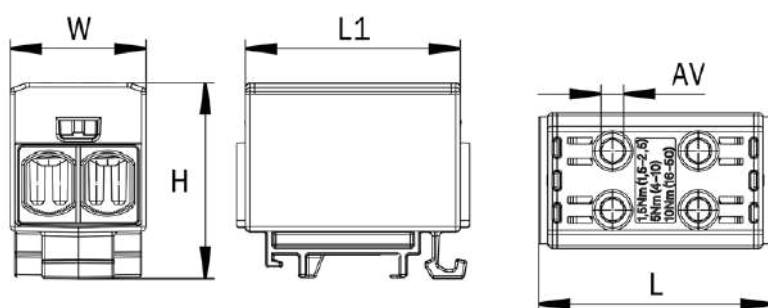
DIN-rail mounting or installation with screws. DIN-rail mounting with fast and easy ClickSet™ mounting mechanism.



STK code	Product code	Colour	Conductor (mm ²)	Un (V)		In (A)		Tightening torque	L (mm)	L1 (mm)	H (mm)	W (mm)	AV (mm)	D (mm)	Weight (g)	Package (pcs)
				Un (V)	In (A)	Un (V)	In (A)									
19 141 12	VC05-0019	Grey	1xAl/Cu 6-95	1000 V AC / 1500 V DC	245 (Cu) / 220 (Al)	1000 V	230 (Cu) / 180 (Al)	12 Nm (6-25 mm ²), 22 Nm (35-95 mm ²)	84	72	51	25	6	5,5	68	24
19 141 13	VC05-0050	Blue														
19 141 14	VC05-0051	Yellow/Green														
19 120 26	VC05-0144	Red														
19 120 27	VC05-0145	Black	1xAl/Cu 25-150	1000 V AC / 1500 V DC	320 (Cu) / 290 (Al)	1000 V	285 (Cu) / 240 (Al)	14 Nm (25-50 mm ²), 35 Nm (70-150 mm ²)	84	72	54	31	6	5,5	103	24
19 141 24	VC05-0028	Grey														
19 141 25	VC05-0029	Blue														
19 141 26	VC05-0030	Yellow/Green														
19143 38	VC05-0475	Red	1xAl/Cu 35-240	1000 V AC / 1500 V DC	425 (Cu) / 380 (Al)	1000 V	380 (Cu) / 310 (Al)	26 Nm (35-120 mm ²), 46 Nm (150-240 mm ²)	106	94	65	37	8	5,5	194	24
19143 39	VC05-0476	Black														
19 141 30	VC05-0034	Grey														
19 141 31	VC05-0035	Blue														
19 141 32	VC05-0036	Yellow/Green	1xAl/Cu 95-300	1000 V AC / 1500 V DC	490 (Cu) / 440 (Al)	-	-	30 Nm (95-150 mm ²), 60 Nm (185-300 mm ²)	122	110	71	44	8	5,5	195	3
19 143 40	VC05-0477	Red														
19 143 41	VC05-0478	Black														
19 123 70	VC05-0213	Grey														
19 123 71	VC05-0214	Blue	1xAl/Cu 95-300	1000 V AC / 1500 V DC	490 (Cu) / 440 (Al)	-	-	30 Nm (95-150 mm ²), 60 Nm (185-300 mm ²)	122	110	71	44	8	5,5	195	3
19 123 72	VC05-0215	Yellow/Green														
19 143 65	VC05-0493	Red														
20 143 66	VC05-0494	Black														

OTL universal connectors 2xAl/Cu 1,5–50 mm²

DIN-rail mounting or installation with screws. DIN-rail mounting with fast and easy ClickSet™ mounting mechanism.



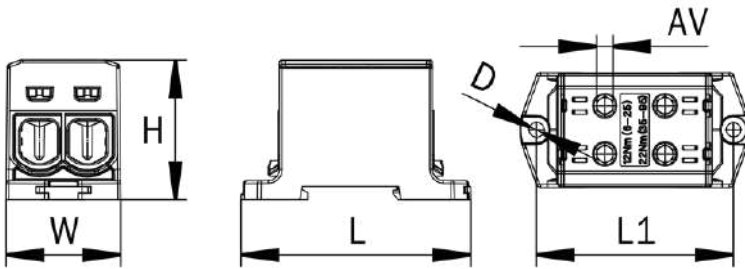
STK code	Product code	Colour	Conductor (mm ²)	Un (V)	In (A)	Un (V)	In (A)	Tightening torque	L (mm)	L1 (mm)	H (mm)	W (mm)	AV (mm)	Weight (g)	Package (pcs)
19 120 73	VC05-0153	Grey	2xAl/Cu 2,5-35	1000 V AC / 1500 V DC	270 (Cu) / 120 (Al)	1000 V	2×115 (Cu) / 90 (Al)	3 Nm (2,5–16 mm ²), 6 Nm (25–35 mm ²)	47	45	40	27	4	44	30
19 120 74	VC05-0154	Blue													
19 120 75	VC05-0155	Yellow/Green													
19 143 42	VC05-0479	Red													
19 143 43	VC05-0480	Black													
19 141 06	VC05-0016	Grey	2xAl/Cu 1,5-50	1000 V AC / 1500 V DC	320 (Cu) / 290 (Al)	1000 V	2×150 (Cu) / 120 (Al)	1,5 Nm (1,5–2,5 mm ²), 5 Nm (4–10 mm ²), 10 Nm (16–50 mm ²)	51,6	48	43	30	5	51	54
19 141 07	VC05-0048	Blue													
19 141 08	VC05-0049	Yellow/Green													
19 120 29	VC05-0146	Red													
19 120 30	VC05-0147	Black													

OTL universal connectors



OTL universal connectors 2xAl/Cu 6–300 mm²

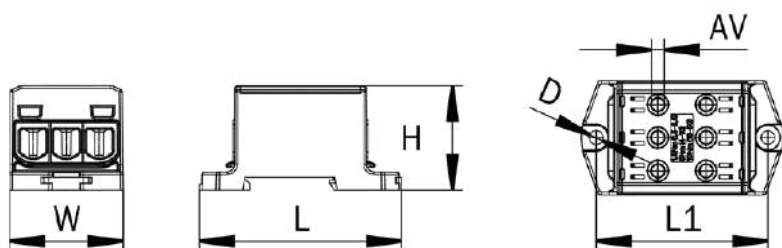
DIN-rail mounting or installation with screws. DIN-rail mounting with fast and easy ClickSet™ mounting mechanism.



STK code	Product code	Colour	Conductor (mm ²)	Un (V)	In (A)	Un (V)	In (A)	Tightening torque	L (mm)	L1 (mm)	H (mm)	W (mm)	AV (mm)	D (mm)	Weight (g)	Package (pcs)
19 141 15	VC05-0042	Grey	2xAl/Cu 6-95	1000 V AC / 1500 V DC	490 (Cu) / 220 (Al)	1000 V	2x230 (Cu) / 180 (Al)	12 Nm (6-25 mm ²), 22 Nm (35-95mm ²)	84	72	51	42	6	5,5	121	24
19 141 16	VC05-0043	Blue														
19 141 17	VC05-0044	Yellow/Green														
19 120 38	VC05-0148	Red														
19 120 39	VC05-0149	Black	2xAl/Cu 25-150	1000 V AC / 1500 V DC	640 (Cu) / 290 (Al)	1000 V	2x285 (Cu) / 250 (Al)	14 Nm (25-50 mm ²), 30 Nm (70-150 mm ²)	84	72	54	51	6	5,5	165	24
19 141 27	VC05-0031	Grey														
19 141 28	VC05-0032	Blue														
19 141 29	VC05-0033	Yellow/Green														
19 143 44	VC05-0481	Red	2xAl/Cu 35-240	1000 V AC / 1500 V DC	850 (Cu) / 380 (Al)	1000 V	2x380 (Cu) / 310 (Al)	26 Nm (35-120 mm ²), 40 Nm (150-240 mm ²)	106	94	65	60	8	5,5	335	12
19 143 45	VC05-0482	Black														
19 141 33	VC05-0037	Grey														
19 141 34	VC05-0038	Blue														
19 141 35	VC05-0039	Yellow/Green	2xAl/Cu 95-300	1000 V AC / 1500 V DC	980 (Cu) / 440 (Al)	-	-	30 Nm (95-150 mm ²), 60 Nm (185-300 mm ²)	122	110	77	69,7	8	5,5	623	3
19 143 46	VC05-0483	Red														
19 143 47	VC05-0484	Black														
19 144 05	VC05-0542	Grey														
19 144 06	VC05-0543	Blue	2xAl/Cu 95-300	1000 V AC / 1500 V DC	980 (Cu) / 440 (Al)	-	-	30 Nm (95-150 mm ²), 60 Nm (185-300 mm ²)	122	110	77	69,7	8	5,5	623	3
19 144 07	VC05-0544	Yellow/Green														
19 144 08	VC05-0545	Red														
19 144 09	VC05-0546	Black														

OTL universal connectors 3xAl/Cu 1,5–300 mm²

DIN-rail mounting or installation with screws. DIN-rail mounting with fast and easy ClickSet™ mounting mechanism.



STK code	Product code	Colour	Conductor (mm ²)	1000 V AC / 1500 V DC		1000 V		Tightening torque	L (mm)	L1 (mm)	H (mm)	W (mm)	AV (mm)	Weight (g)	Package (pcs)
				Un (V)	In (A)	Un (V)	In (A)								
19 123 58	VC05-0233	Grey	3xAl/Cu 1,5-50	1000 V AC / 1500 V DC	320 (Cu) / 290 (Al)	1000 V	2×150 (Cu) / 120 (Al)	1,5 Nm (1,5–2,5 mm ²), 5 Nm (4–10 mm ²), 10 Nm (16–50 mm ²)	79,5	67,5	40,8	44,6	5	109	24
19 123 59	VC05-0236	Blue													
19 123 60	VC05-0237	Yellow/Green													
19 143 48	VC05-0485	Red													
19 143 49	VC05-0486	Black													
19 123 61	VC05-0234	Grey	3xAl/Cu 6-95	1000 V AC / 1500 V DC	490 (Cu) / 440 (Al)	1000 V	2×230 (Cu) / 180 (Al)	12 Nm (6-25 mm ²), 22 Nm (35-95mm ²)	83,8	72	51	58,5	6	178	12
19 123 62	VC05-0238	Blue													
19 123 63	VC05-0239	Yellow/Green													
19 143 50	VC05-0487	Red													
19 143 51	VC05-0488	Black													
19 123 64	VC05-0235	Grey	3xAl/Cu 25-150	1000 V AC / 1500 V DC	640 (Cu) / 500 (Al)	1000 V	2×285 (Cu) / 250 (Al)	14 Nm (25-50 mm ²), 30 Nm (70-150 mm ²)	84	72	54	71,3	6	246	12
19 123 65	VC05-0240	Blue													
19 123 66	VC05-0241	Yellow/Green													
19 143 52	VC05-0489	Red													
19 143 53	VC05-0490	Black													
19 143 09	VC05-0381	Grey	3xAl/Cu 95-300	1000 V AC / 1500 V DC	850 (Cu) / 630 (Al)	-	-	35 Nm (95-150 mm ²), 45 Nm (185-300 mm ²)	120	108	78	101	8	680	1
19 143 10	VC05-0392	Blue													
19 143 11	VC05-0393	Yellow/Green													
19 143 54	VC05-0491	Red													
19 143 55	VC05-0492	Black													

Terminal shrouds for OTL universal connectors

Terminal shrouds are insulation covers for OTL-connectors. Terminal shrouds are compatible with all OTL universal connectors from 50 to 300 mm².

STK code	Product code	Product name	Weight (g)	Package (pcs)
19 120 76	OD02-0564	Terminal shroud OTL 50	0,7	25
19 120 77	OD02-0548	Terminal shroud OTL 95	1,4	25
19 120 78	OD02-0550	Terminal shroud OTL 150	1,6	25
19 120 79	OD02-0551	Terminal shroud OTL 240	2,6	25
19 143 36	OD02-0778	Terminal shroud OTL 300	3,2	25
19 143 85	OD02-0847	Terminal shroud OTL 3×1×50	0,7	25

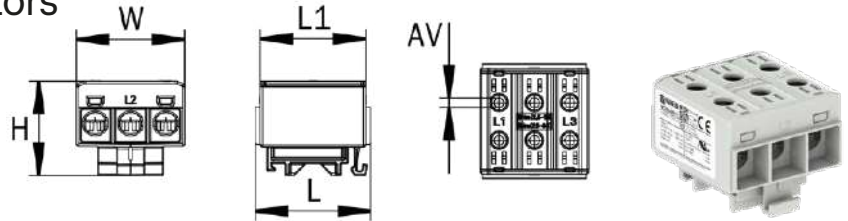


OTL universal connectors



OTL 3-pole universal connectors

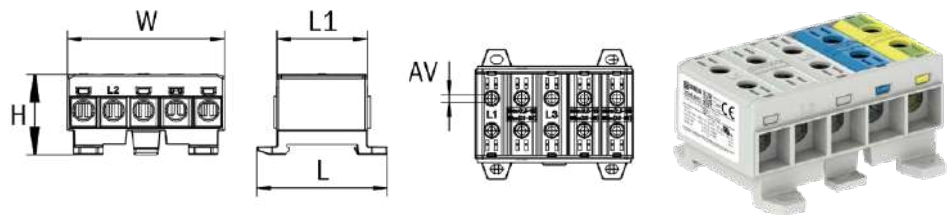
DIN-rail mounting.



STK code	Product code	Colour	Conductor (mm ²)	Un (V)	In (A)	Un (V)	In (A)	Tightening torque	L (mm)	L1 (mm)	H (mm)	W (mm)	AV (mm)	Weight (g)	Package (pcs)
19 120 97	VC05-0011	Grey (L1, L2, L3)	3xAl/Cu 2,5-35	1000 V AC / 1500 V DC	3×135 (Cu) / 3×120 (Al)	1000 V	3×115 (Cu) / 3×90 (Al)	3 Nm (2,5-16 mm ²), 6 Nm (25-35 mm ²)	49	45	40	46	4	70	18
19 141 09	VC05-0054	Grey (L1, L2, L3)	3xAl/Cu 1,5-50	1000 V AC / 1500 V DC	3×160 (Cu) / 3×145 (Al)	1000 V	3×150 (Cu) / 3×120 (Al)	1,5 Nm (1,5-2,5 mm ²), 5 Nm (4-10 mm ²), 10 Nm (16-50 mm ²)	54,6	48	43	49	5	81	30

OTL 5-pole universal connectors

DIN-rail mounting or installation with screws (excl. VC05-0547).



STK code	Product code	Colour	Conductor (mm ²)	Un (V)	In (A)	Un (V)	In (A)	Tightening torque	L (mm)	L1 (mm)	H (mm)	W (mm)	AV (mm)	Weight (g)	Package (pcs)
19 120 98	VC05-0012	Tricolour (L1, L2, L3, N, PE)	5xAl/Cu 2,5-35	1000 V AC / 1500 V DC	5×135 (Cu) / 5×120 (Al)	1000 V	5×115 (Cu) / 5×90 (Al)	3 Nm (2,5-16 mm ²), 6 Nm (25-35 mm ²)	65	45	40	79	4	120	16
19 144 03	VC05-0547	Tricolour (L1, L2, L3, N, PE)	5×1xAl/Cu 1,5-16	1000 V AC / 1500 V DC	5×82 (Cu) / 5×75 (Al)	-	-	1,5 Nm (1,5 mm ²), 3,5 Nm (2,5-6 mm ²), 7 Nm (10-16 mm ²)	48	48	32	61	4	71	30
19 144 04	VC05-0577	Tricolour (L1, L2, L3, N, PE)	5×1xAl/Cu 1,5-16 R	1000 V AC / 1500 V DC	5×82 (Cu) / 5×75 (Al)	-	-	1,5 Nm (1,5 mm ²), 3,5 Nm (2,5-6 mm ²), 7 Nm (10-16 mm ²)	65	48	32	61	4	72	30
19 144 01	VC05-0523	Tricolour (L1, L2, L3, N, PE)	5×1xAl/Cu 1,5-50	1000 V AC / 1500 V DC	5×160 (Cu) / 5×145 (Al)	-	-	3 Nm (2,5-16 mm ²), 6 Nm (25-35 mm ²)	67,7	45	45,4	86,1	5	196	8
19 144 02	VC05-0548	Tricolour (L1, L2, L3, N, PE)	5×1xAl/Cu 16-95	1000 V AC / 1500 V DC	5×245 (Cu) / 5×220 (Al)	-	-	3 Nm (2,5-16 mm ²), 6 Nm (25-35 mm ²)	82,5	56,1	50,5	117,4	6	323	10

OTL universal connector kit

Connector kit includes connectors for all three phases, neutral (N) and for protective earth (PE). Connectors are compatible with aluminium and copper cables with wire range of 1,5-50 mm². Connectors are DIN-rail mounted.



Connector kit includes:

STK code	Product code	Package (pcs)
19 120 01	VC05-0139	10

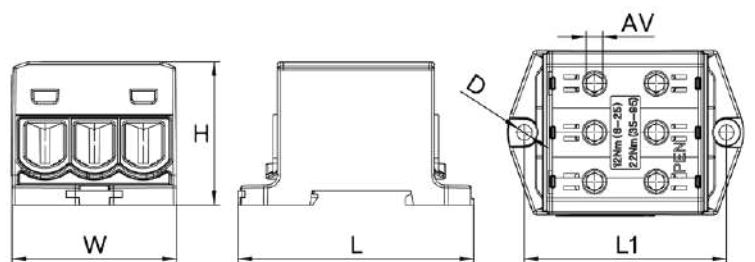
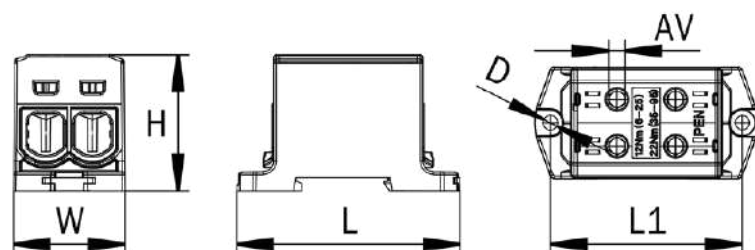
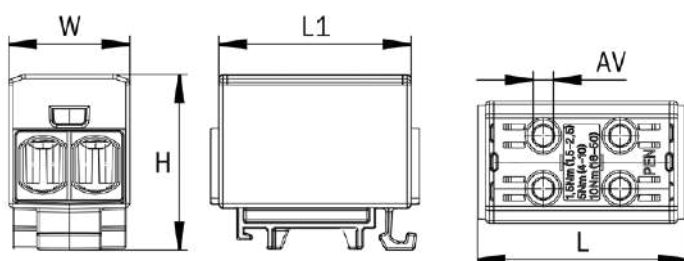
Product code	pcs
VC05-0054	1
VC05-0046	1
VC05-0047	1

OTL PEN



OTL PEN universal connectors 2xAl/Cu 1,5–300 mm² and 3xAl/Cu 1,5–150 mm²

DIN-rail mounting or installation with screws (excl. VC05-0580 and VC05-0243). Connectors can be used especially for grounding appliances in TN-C systems.



STK code	Product code	Conductor (mm ²)	Un (V)	In (A)	Tightening torque	L (mm)	L1 (mm)	H (mm)	W (mm)	AV (mm)	D (mm)	Weight (g)	Package (pcs)
19 144 10	VC05-0580	2xAl/Cu 2,5-35	1000 V AC / 1500 V DC	270 (Cu) / 120 (Al)	3 Nm (2,5-16 mm ²), 6 Nm (25-35 mm ²)	47	45	40	27	4	-	44	30
19 142 80	VC05-0243	2xAl/Cu 1,5-50	1000 V AC / 1500 V DC	320 (Cu) / 290 (Al)	1,5 Nm (1,5-2,5 mm ²), 5 Nm (4-10 mm ²), 10 Nm (16-50 mm ²)	49	48	43	30	5	-	51	54
19 142 81	VC05-0360	2xAl/Cu 6-95	1000 V AC / 1500 V DC	580 (Cu) / 220 (Al)	12 Nm (6-25 mm ²), 22 Nm (35-95 mm ²)	84	72	51	42	6	5,5	121	24
19 142 82	VC05-0361	2xAl/Cu 25-150	1000 V AC / 1500 V DC	640 (Cu) / 290 (Al)	14 Nm (25-50 mm ²), 30 Nm (70-150 mm ²)	84	72	54	51	6	5,5	165	24
19 142 83	VC05-0362	2xAl/Cu 35-240	1000 V AC / 1500 V DC	850 (Cu) / 380 (Al)	26 Nm (35-120 mm ²), 40 Nm (150-240 mm ²)	106	94	65	60	8	5,5	335	12
19 144 11	VC05-0581	2xAl/Cu 95-300	1000 V AC / 1500 V DC	980 (Cu) / 440 (Al)	30 Nm (95-150 mm ²), 60 Nm (185-300 mm ²)	122	110	77	69,7	8	5,5	623	3
19 144 12	VC05-0582	3xAl/Cu 1,5-50	1000 V AC / 1500 V DC	320 (Cu) / 290 (Al)	1,5 Nm (1,5-2,5 mm ²), 5 Nm (4-10 mm ²), 10 Nm (16-50 mm ²)	79,5	67,5	40,8	44,6	5	5,5	109	24
19 144 13	VC05-0583	3xAl/Cu 6-95	1000 V AC / 1500 V DC	490 (Cu) / 440 (Al)	12 Nm (6-25 mm ²), 22 Nm (35-95 mm ²)	83,8	72	51	58,5	6	5,5	178	12
19 144 14	VC05-0584	3xAl/Cu 25-150	1000 V AC / 1500 V DC	640 (Cu) / 500 (Al)	14 Nm (25-50 mm ²), 30 Nm (70-150 mm ²)	84	72	54	71,3	6	5,5	246	12

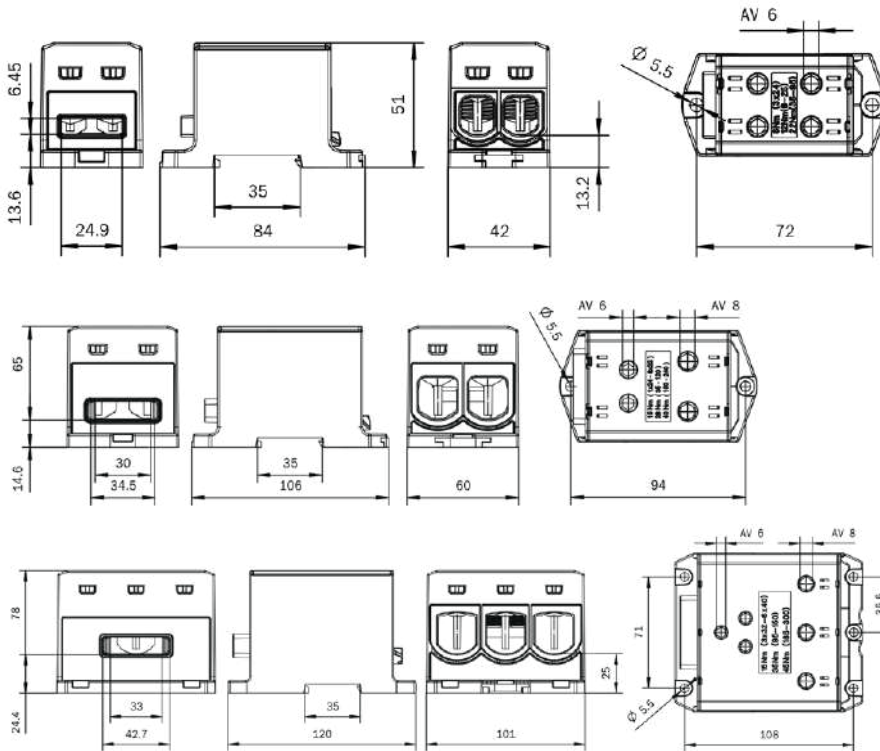
OTL FBB



OTL FBB universal connectors Al/Cu 6–300 mm²

Branching connector for aluminium and copper conductors. Input with copper busbar. DIN-rail mounting or installation with screws.

Standards: EN 60947-7-1:2009, EN 60947-7-2:2009; EN 61238-1:2003



STK code	Product code	Colour	Conductor (mm ²)	Busbar	Un (V)	In (A)	Tightening torque	Weight (g)	Package (pcs)	UL approval
19 143 05	VC05-0387	●	2xAl/Cu 6-95	3×1×24	1000 V AC / 1500 V DC	245 (Cu) / 220 (Al)	12 Nm (6-25 mm ²), 22 Nm (35-95mm ²), 8 Nm (busbar)	125	24	No
19 143 06	VC05-0390	●	2xAl/Cu 6-95	3×1×24	1000 V AC / 1500 V DC	245 (Cu) / 220 (Al)	12 Nm (6-25 mm ²), 22 Nm (35-95mm ²), 8 Nm (busbar)	125	24	No
19 143 07	VC05-0391	●	2xAl/Cu 6-95	3×1×24	1000 V AC / 1500 V DC	245 (Cu) / 220 (Al)	12 Nm (6-25 mm ²), 22 Nm (35-95mm ²), 8 Nm (busbar)	125	24	No
19 143 86	VC05-0515	●	2xAl/Cu 35-240	1×24-8×32	1000 V AC / 1500 V DC	425 (Cu) / 380 (Al)	26 Nm (35-120 mm ²), 40 Nm (150-240 mm ²), 15 Nm (busbar)	340	12	No
19 143 87	VC05-0516	●	2xAl/Cu 35-240	1×24-8×32	1000 V AC / 1500 V DC	425 (Cu) / 380 (Al)	26 Nm (35-120 mm ²), 40 Nm (150-240 mm ²), 15 Nm (busbar)	340	12	No
19 143 88	VC05-0517	●	2xAl/Cu 35-240	1×24-8×32	1000 V AC / 1500 V DC	425 (Cu) / 380 (Al)	26 Nm (35-120 mm ²), 40 Nm (150-240 mm ²), 15 Nm (busbar)	340	12	No
19 143 12	VC05-0386	●	3xAl/Cu 95-300	3×1×32-6×1×40	1000 V AC / 1500 V DC	630 (Cu) / 630 (Al)	35 Nm (95-150 mm ²), 45 Nm (185-300 mm ²), 15 Nm (busbar)	680	1	No
19 143 13	VC05-0394	●	3xAl/Cu 95-300	3×1×32-6×1×40	1000 V AC / 1500 V DC	630 (Cu) / 630 (Al)	35 Nm (95-150 mm ²), 45 Nm (185-300 mm ²), 15 Nm (busbar)	680	1	No
19 143 14	VC05-0395	●	3xAl/Cu 95-300	3×1×32-6×1×40	1000 V AC / 1500 V DC	630 (Cu) / 630 (Al)	35 Nm (95-150 mm ²), 45 Nm (185-300 mm ²), 15 Nm (busbar)	680	1	No

Device connectors



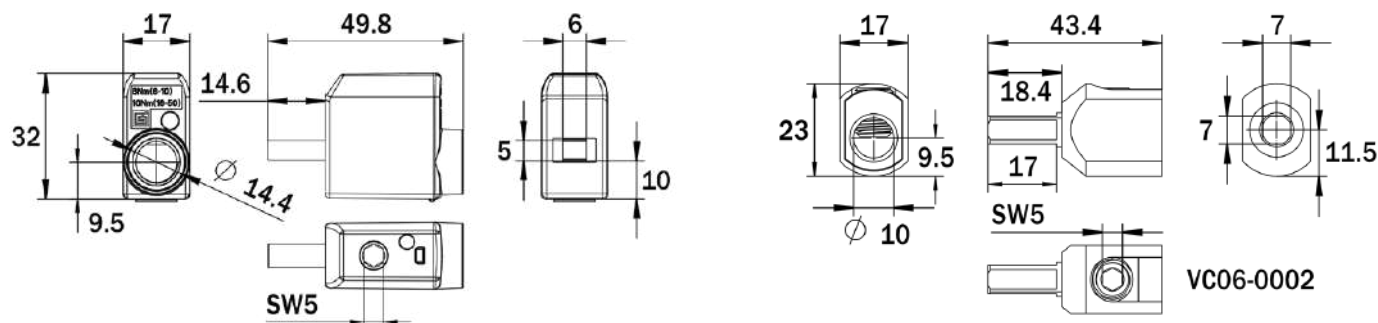
Device connectors 1xAl/Cu 2,5–50 mm²

General: Pre-greased installation spaces and the easy installation done with only allen bolts guarantee easy and quick connecting.

Use: Device connectors are designed to be used with aluminium and copper cables.

Materials: Body and screws are made of tin-plated aluminium. Plastic cover is made of polyamide.

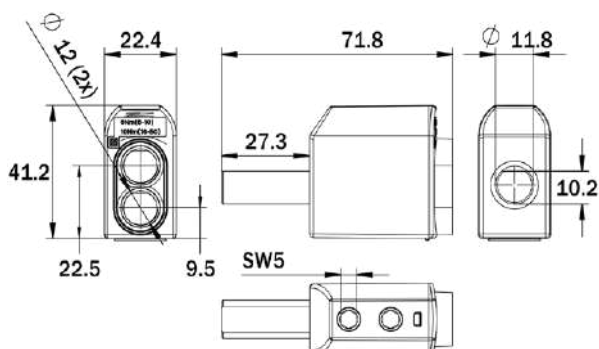
Standards: EN 60947-7-1:2009, EN 61238-1:2003



STK code	Product code	Product name*	Busbar type	Conductor (mm ²)	Un (V)	In (A)	Tightening torque	Weight (g)	Package (pcs)
19 123 17	VC06-0019	Device connector 50	Standard	1xAl/Cu 6-50	690	160 (Cu)/100 (Al)	6 Nm (6-10 mm ²), 10 Nm (16-50 mm ²)	22,8	50
19 123 18	VC06-0014	Device connector 50 M	Standard	1xAl/Cu 6-50	690	160 (Cu)/100 (Al)	6 Nm (6-10 mm ²), 10 Nm (16-50 mm ²)	23,2	50
19 123 80	VC06-0039	Device connector 1xAl/Cu 6-50 L	Left handed	1xAl/Cu 6-50	690	160 (Cu)/100 (Al)	6 Nm (6-10 mm ²), 10 Nm (16-50 mm ²)	22,8	50
19 123 81	VC06-0038	Device connector 1xAl/Cu 6-50 R	Right handed	1xAl/Cu 6-50	690	160 (Cu)/100 (Al)	6 Nm (6-10 mm ²), 10 Nm (16-50 mm ²)	22,8	50
19 123 82	VC06-0037	Device connector 1xAl/Cu 6-50 ML	Left handed	1xAl/Cu 6-50	690	160 (Cu)/100 (Al)	6 Nm (6-10 mm ²), 10 Nm (16-50 mm ²)	23,2	50
19 123 83	VC06-0036	Device connector 1xAl/Cu 6-50 MR	Right handed	1xAl/Cu 6-50	690	160 (Cu)/100 (Al)	6 Nm (6-10 mm ²), 10 Nm (16-50 mm ²)	23,2	50
52 024 02	VC06-0002	Device connector 1xAl/Cu 50 plug model	Square	1xAl/Cu 2,5-50	690	80 A	3 Nm (2,5-6 mm ²), 7,5 Nm (10-50 mm ²)	15	50
52 024 03	VC06-0003	Device connector 1xAl/Cu 50 notched plug	Round	1xAl/Cu 2,5-50	690	80 A	3 Nm (2,5-6 mm ²), 7,5 Nm (10-50 mm ²)	12	50

* Model specific clarifications: M = Model has connector for measurement

Device connector 2xAl/Cu 6–50 mm²



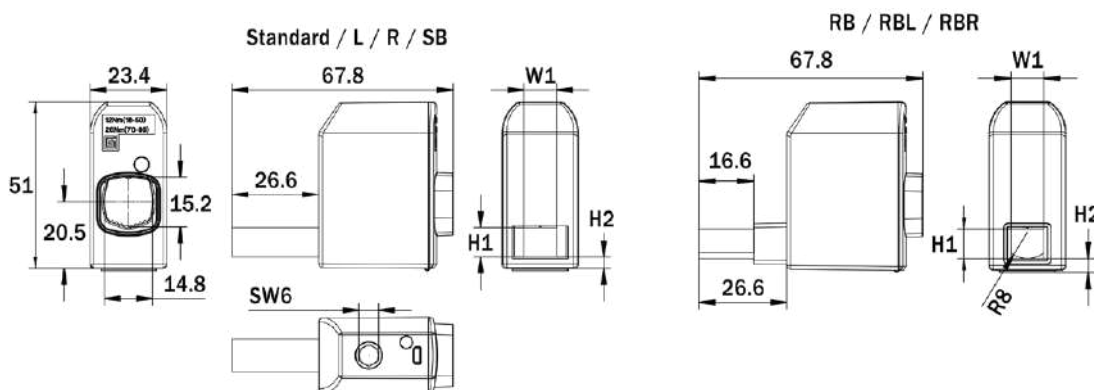
STK code	Product code	Product name	Busbar type	Conductor (mm ²)	Un (V)	In (A)	Tightening torque	Weight (g)	Package (pcs)
19 123 29	VC06-0018	Device connector 2x50 RB	Round	2xAl/Cu 6-50	690	320 (Cu)/250 (Al)	6 Nm (6-10 mm ²), 10 Nm (16-50 mm ²)	26,2	30

Device connectors



Device connectors 1xAl/Cu 16–95 mm²

16–95 mm² device connectors are available for seven different types of busbars.



STK code	Product code	Product name*	Busbar type	Conductor (mm ²)	Un (V)	In (A)	Tightening torque	W1 (mm)	H1 (mm)	H2 (mm)	Weight (g)	Package (pcs)
19 123 20	VC06-0015	Device connector 1xAl/Cu 16-95 M	Standard	16-95	690	230 (Cu)/180 (Al)	12 Nm (16-50 mm ²), 20 Nm (70-95 mm ²)	10	9	3,5	56	30
19 123 22	VC06-0016	Device connector 1xAl/Cu 16-95 RBM	Round bar	16-95	690	230 (Cu)/180 (Al)	12 Nm (16-50 mm ²), 20 Nm (70-95 mm ²)	10	9	3,5	58	30
19 123 24	VC06-0017	Device connector 1xAl/Cu 16-95 SBM	Screw bar	16-95	690	230 (Cu)/180 (Al)	12 Nm (16-50 mm ²), 20 Nm (70-95 mm ²)	16	9	3,5	58	30
19 123 19	VC06-0020	Device connector 1xAl/Cu 16-95	Standard	16-95	690	230 (Cu)/180 (Al)	12 Nm (16-50 mm ²), 20 Nm (70-95 mm ²)	10	9	3,5	56	30
19 123 21	VC06-0021	Device connector 1xAl/Cu 16-95 RB	Round bar	16-95	690	230 (Cu)/180 (Al)	12 Nm (16-50 mm ²), 20 Nm (70-95 mm ²)	10	9	3,5	58	30
19 123 23	VC06-0022	Device connector 1xAl/Cu 16-95 SB	Screw bar	16-95	690	230 (Cu)/180 (Al)	12 Nm (16-50 mm ²), 20 Nm (70-95 mm ²)	16	9	3,5	58	30
19 123 25	VC06-0023	Device connector 1xAl/Cu 16-95 L	Left handed	16-95	690	230 (Cu)/180 (Al)	12 Nm (16-50 mm ²), 20 Nm (70-95 mm ²)	10	9	3,5	56	30
19 123 26	VC06-0024	Device connector 1xAl/Cu 16-95 R	Right handed	16-95	690	230 (Cu)/180 (Al)	12 Nm (16-50 mm ²), 20 Nm (70-95 mm ²)	10	9	3,5	56	30
19 123 27	VC06-0025	Device connector 1xAl/Cu 16-95 ML	Left handed	16-95	690	230 (Cu)/180 (Al)	12 Nm (16-50 mm ²), 20 Nm (70-95 mm ²)	10	9	3,5	56	30
19 123 28	VC06-0026	Device connector 1xAl/Cu 16-95 MR	Right handed	16-95	690	230 (Cu)/180 (Al)	12 Nm (16-50 mm ²), 20 Nm (70-95 mm ²)	10	9	3,5	56	30
19 123 34	VC06-0028	Device connector 1xAl/Cu 16-95 RBL	Left handed round bar	16-95	690	230 (Cu)/180 (Al)	12 Nm (16-50 mm ²), 20 Nm (70-95 mm ²)	10	9	3,5	56	30
19 123 35	VC06-0029	Device connector 1xAl/Cu 16-95 RBR	Right handed round bar	16-95	690	230 (Cu)/180 (Al)	12 Nm (16-50 mm ²), 20 Nm (70-95 mm ²)	10	9	3,5	56	30
19 123 36	VC06-0030	Device connector 1xAl/Cu 16-95 RBMR	Right handed round bar	16-95	690	230 (Cu)/180 (Al)	12 Nm (16-50 mm ²), 20 Nm (70-95 mm ²)	10	9	3,5	56	30
19 123 37	VC06-0031	Device connector 1xAl/Cu 16-95 RBML	Left handed round bar	16-95	690	230 (Cu)/180 (Al)	12 Nm (16-50 mm ²), 20 Nm (70-95 mm ²)	10	9	3,5	56	30

* Model specific clarifications: M = Model has connector for measurement

Device connector packages

Device connectors are available in sorted packages. Device connector package includes standard, left- and right-handed connectors. Measure connector option in M-models.



STK code	Product code	Product name*	Contents	Package
19 123 84	VC06-0040	Device connector package 50 LCR	VC06-0019, VC06-0038, VC06-0039	Acc. to order
19 123 85	VC06-0041	Device connector package 50 LCRM	VC06-0014, VC06-0037, VC06-0036	Acc. to order
19 123 75	VC06-0034	Device connector package 95 LCR	VC06-0020, VC06-0023, VC06-0024	Acc. to order
19 123 76	VC06-0035	Device connector package 95 LCRM	VC06-0015, VC06-0025, VC06-0026	Acc. to order

* Model specific clarifications: M = Model has connector for measurement

OL universal connectors

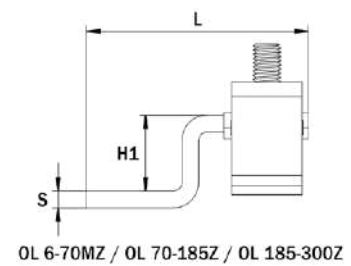
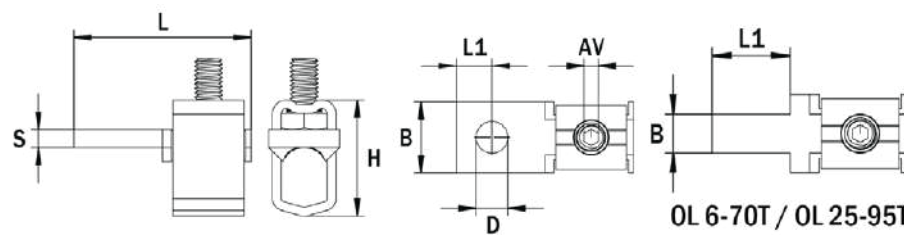


General: Ouneva OL universal connectors are a universal terminal series for connecting aluminium and copper conductors from 6 mm² to 300 mm². The installation can be performed without any special tools with hex key.

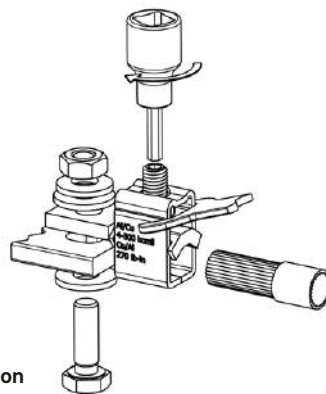
Use: OL universal connectos are suitable for connections in various electrical devices and systems.

Materials: Connector frames are made of stainless steel and connector bars are made of tin-plated copper.

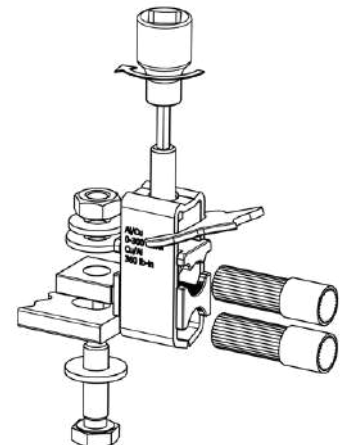
Standard: UL 486E



Installation



OL universal connector for single wire input



OL universal connector for double wire input

STK code	Product code	Product name	Conductor (mm ²)	In (A)	D (mm)	H (mm)	H1 (mm)	L (mm)	L1 (mm)	B (mm)	AV (mm)	S (mm)	Tightening torque	Weight (g)	Package (pcs)
19 141 91	VC01-0002	OL 6-70	1xAl/Cu 6-70	270	7	30	-	37	7,5	15	4	4	5,6 Nm (6-70 mm ²)	44	30
19 141 92	VC01-0006	OL 6-70M	1xAl/Cu 6-70	270	7	23	-	37	7,5	15	4	4	5,6 Nm (6-70 mm ²)	36	30
19 141 97	VC01-0028	OL 6-70T	1xAl/Cu 6-70	270	-	30	-	38	18	10	4	4	5,6 Nm (6-70 mm ²)	44	30
19 123 87	VC01-0007	OL 6-70MZ	1xAl/Cu 6-70	270	7	23	15	46	8	15	4	4	5,6 Nm (6-70 mm ²)	47	30
19 141 93	VC01-0005	OL 25-95 D9	1xAl/Cu 25-95	320	9	33	-	50	13	20	4	5	20 Nm (25-95 mm ²)	76	15
19 123 86	VC01-0024	OL 25-95 D11	1xAl/Cu 25-95	320	11	33	-	50	13	20	4	5	20 Nm (25-95 mm ²)	74	15
19 141 98	VC01-0029	OL 25-95T	1xAl/Cu 25-95	320	-	33	-	50	20	10	4	5	20 Nm (25-95 mm ²)	69	15
19 120 15	VC01-0013	OL 25-150	1xAl/Cu 25-150	285	11	38	-	60	13,5	23	5	6	30 Nm (25-150 mm ²)	131	15
19 123 30	VC01-0008	OL 70-185Z	1xAl/Cu 70-185	400	13	38	27	79	15,5	25	5	6	40 Nm (70-185 mm ²)	195	15
19 123 38	VC01-0030	OL 95-240M D9	1xAl/Cu 95-240	400	9	40	-	61	12	25	5	6	40 Nm (95-240 mm ²)	142	15
19 141 87	VC01-0020	OL 95-240M D11	1xAl/Cu 95-240	400	11	40	-	61	12	25	5	6	40 Nm (95-240 mm ²)	140	15
19 141 95	VC01-0001	OL 185-300	1xAl/Cu 185-300	560	13	52	-	76	17	30	6	8	70 Nm (185-300 mm ²)	287	3
19 123 33	VC01-0009	OL 185-300Z	1xAl/Cu 185-300	560	13	52	30	87	16,5	30	6	8	70 Nm (185-300 mm ²)	350	3
19 120 19	VC01-0011	OL 2x(50-150)	2xAl/Cu 50-150	579	11	64	-	59	12	25	5	8	40 Nm (50-150 mm ²)	240	3
19 120 20	VC01-0014	OL 2x(95-240) D11	2xAl/Cu 95-240	806	11	78	-	60	13	30	6	8	70 Nm (95-240 mm ²)	345	3
19 123 57	VC01-0031	OL 2x(95-240) D13	2xAl/Cu 95-240	806	13	78	-	60	13	30	6	8	70 Nm (95-240 mm ²)	343	3
19 141 39	VC01-0019	OL 2x(185-300)	2xAl/Cu 185-300	800	13	91	-	85	20	38	6	8	70 Nm (185-300 mm ²)	544	3

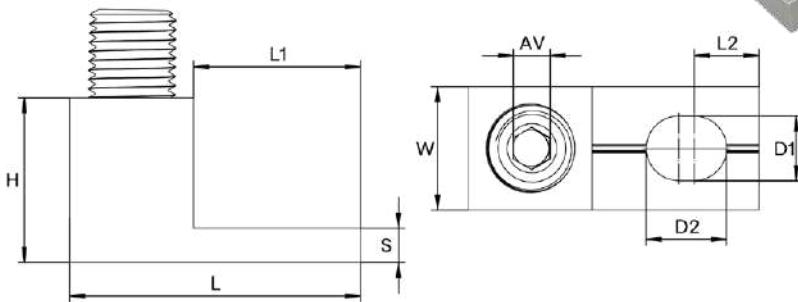
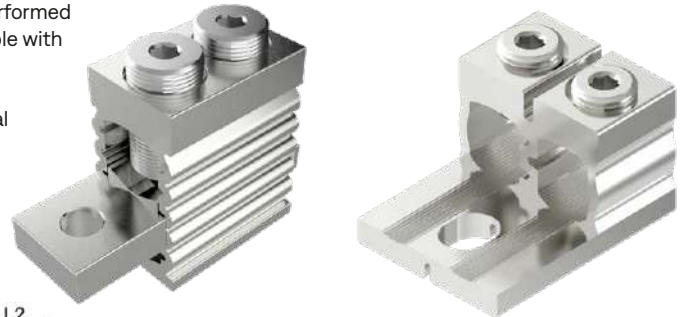
OT universal connectors



General: Ouneva OT universal connectors are designed for connecting aluminium and copper conductors from 1,5 mm² to 300 mm². The installation can be performed without any special tools with a hex key. OT universal connectors now available with double wire input (1,5–300mm²)

Use: OL universal connectors are suitable for connections in various electrical devices and systems.

Materials: Connectors are made of tin-plated aluminium.



OT universal connectors 1xAl/Cu 1,5–300mm² and 2xAl/Cu 25–240mm²

STK code	Product code	Product name	Conductor (mm ²)	Un (V)	In (A)	L (mm)	L1 (mm)	L2 (mm)	W (mm)	H (mm)	D1 (mm)	D2 (mm)	S (mm)	AV (mm)	Tightening torque	Weight (g)	Package (pcs)
19 123 04	VC02-0006	OT 1xAl/Cu 1,5-50mm ²	1xAl/Cu 1,5-50	690	160 (Cu) / 145 (Al)	35	21	10,5	14	21,5	8,5	8,5	4	5	3,5 Nm (1,5-10 mm ²), 10 Nm (16-50 mm ²)	10	30
19 143 93	VC02-0145	OT 1xAl/Cu 6-95mm ²	1xAl/Cu 6-95	690	245 (Cu) / 220 (Al)	47	27	10,5-12,5	20	26,6	10,5	13	5,5	6	12 Nm (6-25 mm ²), 22 Nm (35-95mm ²)	29	30
19 123 01	VC02-0003	OT 1xAl/Cu 16-120mm ²	1xAl/Cu 16-120	690	280 (Cu) / 230 (Al)	64	37	17	25	35	12,5	12,5	6	6	12 Nm (16-35 mm ²), 25 Nm (50-120 mm ²)	50	30
19 143 94	VC02-0146	OT 1xAl/Cu 25-150mm ²	1xAl/Cu 25-150	690	320 (Cu) / 290 (Al)	62	35	12,5-16,5	26	36	12,5	16,5	7	6	14 Nm (25-50 mm ²), 35 Nm (70-150 mm ²)	57	20
19 143 95	VC02-0147	OT 1xAl/Cu 35-240mm ²	1xAl/Cu 35-240	690	425 (Cu) / 380 (Al)	74	37	12,5-16,5	32	43	12,5	16,5	9	8	26 Nm (35-120 mm ²), 46 Nm (150-240 mm ²)	108	10
19 143 96	VC02-0148	OT 1xAl/Cu 95-300mm ²	1xAl/Cu 95-300	690	490 (Cu) / 440 (Al)	75	37	12,5-16,5	38	50	12,5	16,5	11	8	30 Nm (95-150 mm ²), 60 Nm (185-300 mm ²)	160	10
19 123 03	VC02-0005	OT 2xAl 25-120 mm ² / Cu 25-95 mm ²	2xAl 25-120 / Cu 25-95	690	400 (Cu) / 380 (Al)	74	28	13	26	62	11	11	13	6	10 Nm (25-35 mm ²), 20 Nm (50-120 mm ²)	186	10
19 123 02	VC02-0004	OT 2xAl/Cu 70-240 mm ²	2xAl/Cu 70-240	690	630 (Cu) / 580 (Al)	99	35	15	38	70	13	13	13	8	35 Nm (70-120 mm ²), 45 Nm (150-240 mm ²)	456	10

OT universal connectors 2xAl/Cu 1,5–300mm²

STK code	Product code	Product name	Conductor (mm ²)	Un (V)	In (A)	L (mm)	L1 (mm)	L2 (mm)	W (mm)	H (mm)	D1 (mm)	D2 (mm)	S (mm)	AV (mm)	Tightening torque	Weight (g)	Package (pcs)
19 143 89	VC02-0135	OT 2xAl/Cu 1,5-50mm ²	2xAl/Cu 1,5-50	690	320 (Cu) / 290 (Al)	41	24	9,5-12,5	26,6	21,5	8,5	11,5	4	5	1,5 Nm (1,5-2,5 mm ²), 5 Nm (4-10 mm ²), 10 Nm (16-50 mm ²)	47	30
19 143 90	VC02-0136	OT 2xAl/Cu 6-95mm ²	2xAl/Cu 6-95	690	580 (Cu) / 220 (Al)	46	26	10,5-13,5	37,5	30	10,5	13,5	5	6	12 Nm (6-25 mm ²), 22 Nm (35-95mm ²)	69	30
19 143 91	VC02-0137	OT 2xAl/Cu 25-150mm ²	2xAl/Cu 25-150	690	640 (Cu) / 290 (Al)	62	35	12,5-16,5	46,3	37	12,5	16,5	7	6	14 Nm (25-50 mm ²), 35 Nm (70-150 mm ²)	118	20
19 143 92	VC02-0138	OT 2xAl/Cu 35-240mm ²	2xAl/Cu 35-240	690	850 (Cu) / 380 (Al)	74	37	12,5-16,5	55	41	12,5	16,5	9	8	26 Nm (35-120 mm ²), 46 Nm (150-240 mm ²)	229	10
19 143 97	VC02-0149	OT 2xAl/Cu 95-300mm ²	2xAl/Cu 95-300	690	980 (Cu) / 630 (Al)	75	37	12,5-16,5	63	55	12,5	16,5	17	8	30 Nm (95-150 mm ²), 60 Nm (185-300 mm ²)	325	6
19 143 98	VC02-0150	OT 2xAl/Cu 6-95mm ² 2xM6	2xAl/Cu 6-95	690	580 (Cu) / 220 (Al)	41	21	8,5-12	37,5	30	6,5	10	5	6	12 Nm (6-25 mm ²), 22 Nm (35-95mm ²)	69	30
19 143 99	VC02-0151	OT 2xAl/Cu 25-150mm ² 2xM8	2xAl/Cu 25-150	690	640 (Cu) / 290 (Al)	53	26	10,5-13,5	46,3	37	8,5	12	7	6	14 Nm (25-50 mm ²), 35 Nm (70-150 mm ²)	118	20
19 144 00	VC02-0152	OT 2xAl/Cu 35-240mm ² 2xM10	2xAl/Cu 35-240	690	850 (Cu) / 380 (Al)	70	33	12,5-16	55	41	10,5	14	9	8	26 Nm (35-120 mm ²), 46 Nm (150-240 mm ²)	229	10

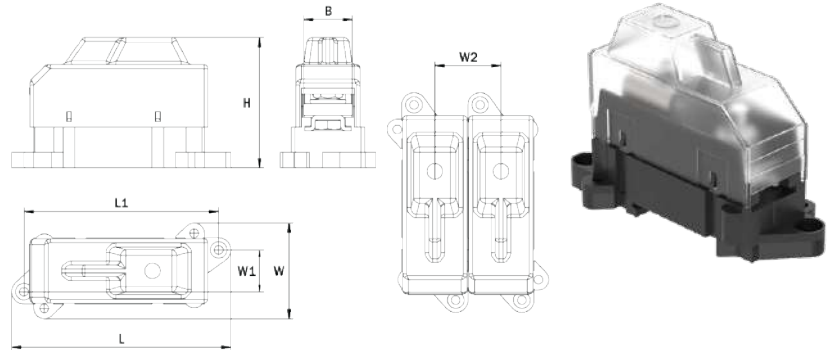
OLE insulated universal connectors



General: OLE-connectors are same products as OL-connectors but supplied with insulating mountings and covers. Several connectors can be mounted alongside by fastening mountings with screws to each other.

Use: OLE-connectors are suitable for connections in various electrical devices and systems. Connectors are mounted by using screws.

Materials: Connector frames are made of stainless steel and connector bars are made of tin-plated copper. Housing is made of polycarbonate and polypropylene



STK code	Product code	Product name	Conductor (mm ²)	Un (V)	In (A)	L (mm)	L1 (mm)	H (mm)	W (mm)	W1 (mm)	W2 (mm)	B (mm)	Tightening torque	Weight (g)	Package (pcs)
19 141 40	VC03-0001	OLE 25-95	1xAl/Cu 25-95	690	320	87	77	60	40	16,6	29	20	20 Nm (25-95 mm ²)	119	12
19 141 41	VC03-0002	OLE 95-185	1xAl/Cu 95-185	690	400	112	100	68	49	21,4	34	25	40 Nm (95-185 mm ²)	237	10
19 141 42	VC03-0003	OLE 185-300	1xAl/Cu 185-300	690	560	143	127	86	57	30	41	30	70 Nm (185-300 mm ²)	260	8

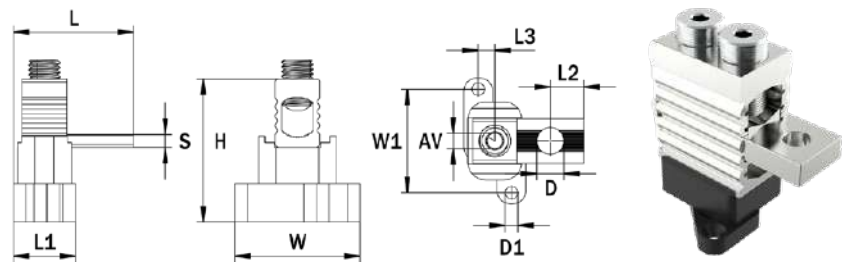
OPE insulated universal connectors



General: OPE-connectors are same products as OT-connectors but supplied with insulating mountings. OPE connectors are mounted with screws. Several connectors can be installed alongside by fastening mountings with screws to each other.

Use: OPE-connectors are suitable for connections in various electrical devices and systems.

Materials: Connector frames are made of tin-plated aluminium. Insulation is made of polyamide.



STK code	Product code	Product name	Conductor (mm ²)	Un (V)	In (A)	L (mm)	L1 (mm)	L2 (mm)	L3 (mm)	H (mm)	W (mm)	W1 (mm)	D (mm)	D1 (mm)	S (mm)	AV (mm)	Tightening torque	Weight (g)	Package (pcs)
19 123 13	VC04-0007	OPE 1,5-50	1xAl/Cu 1,5-50	690	160	37,8	19,5	10,5	5,25	44,5	39,5	32,5	8,5	4	4	5	3,5 Nm (1,5-10 mm ²), 10 Nm (16-50 mm ²)	20	30
19 123 09	VC04-0003	OPE 6-95	1xAl/Cu 6-95	690	245	45,8	19,5	13	5,25	54	39,5	32,5	10,5	4	5	6	12 Nm (6-35 mm ²), 22 Nm (50-95 mm ²)	32	30
19 123 10	VC04-0004	OPE 16-120	1xAl/Cu 16-120	690	280	64	25,5	17	5,25	57	57,5	50,5	12,5	4	6	6	12 Nm (16-35 mm ²), 25 Nm (50-120 mm ²)	66	30
19 123 14	VC04-0008	OPE 25-150	1xAl/Cu 25-150	690	280	62	25,5	15	5,25	61	57,5	50,5	12,5	4	7,25	6	14 Nm (25-150 mm ²), 30 Nm (70-150 mm ²)	74	20
19 123 16	VC04-0010	OPE 35-240	1xAl/Cu 35-240	690	425	74	25,5	15	5,25	67,5	57,5	50,5	12,5	4	8	8	26 Nm (35-120 mm ²), 40 Nm (150-240 mm ²)	131	20
19 123 15	VC04-0009	OPE 95-300	1xAl/Cu 95-300	690	490	64	26	18	5,25	73	57,5	50,5	12,5	4	10,5	6	33 Nm (95-185 mm ²), 60 Nm (240-300 mm ²)	152	10
19 123 12	VC04-0006	OPE 2x(25-120)	2xAl/Cu 25-120	690	400	77	58	13	21	89	74	58	11	6	13	6	10 Nm (25-35 mm ²), 20 Nm (50-120 mm ²)	250	10
19 123 11	VC04-0005	OPE 2x(70-240)	2xAl/Cu 70-240	690	630	99	58	15	21	99	74	58	13	6	13	8	35 Nm (70-120 mm ²), 45 Nm (150-240 mm ²)	522	8

Universal branching connectors

Branching connectors are used for branching aluminium and copper cables. Our range includes safe and easy-to-install branching connectors suitable for constricted spaces, special circumstances and with a nominal voltage even up to 1000V.

Did you know that only one aluminium conductor can be connected in the same contact space and that you cannot mix conductor materials in the same contact space?

Product documents:



OJL distribution blocks



General:

OJL distribution blocks offer the best quality on the market in addition to features, that increase the safety and ease of installation of the connectors and enable versatile end usage applications.

Pre-greased contact spaces and the connection done with hex screws guarantee easy and quick installation. The compact size of the connectors ensures efficient use of space even in constricted installation spaces.

Use:

OJL distribution blocks are used for branching connections in electrical devices. OJL distribution blocks can be used with aluminium and copper wires. Installation can be done with screws

or onto a DIN-rail. The OJL 80 & 135 distribution blocks can be connected in series. In other models, the input is through one conductor. Outputs can be done between the connector models with 6, 7 or 11 conductors. Branching connections can be also done with input conductors up to 240mm² and busbars up to 10x(1x24).

Materials:

The body of the distribution blocks is tin-plated aluminium. Insulating cover is made from halogen-free UL 94 V-0 class polyamide.

Standards:

EN 60947-7-1:2009, EN 61238-1:2003

Six reasons to choose OJL distribution blocks

1

High nominal voltages
OJL 135: 1000V
Other models
1000 V AC / 1500 V DC

2

Tightening torques on the connector covers (only in OJL 80 and OJL 135 models)

3

Places for component markers 5 mm width eg. Partex TX (only in OJL 80 and OJL 135 models)

4

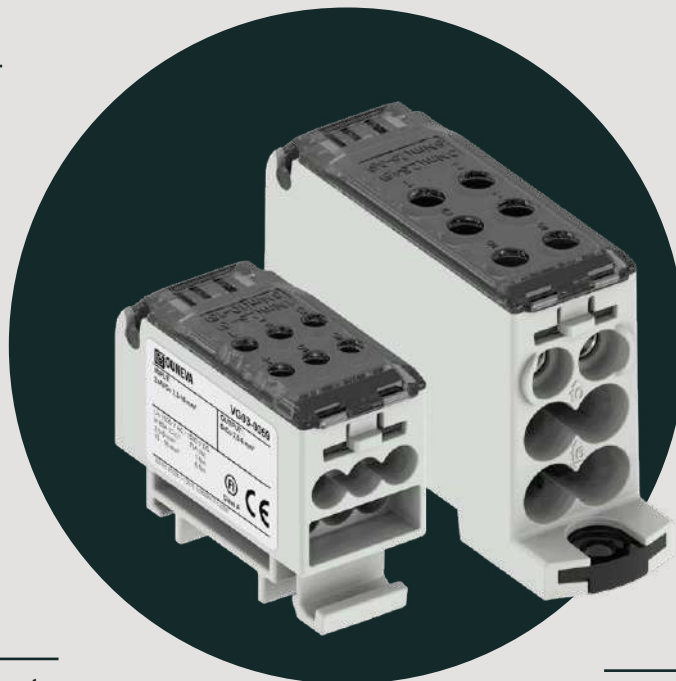
Safe UL 94 V-0 class plastic material (in PA66 models)

5

Easy installation on DIN-rail or with screws

6

Extremely compact size enables connections in constricted spaces



OJL distribution blocks



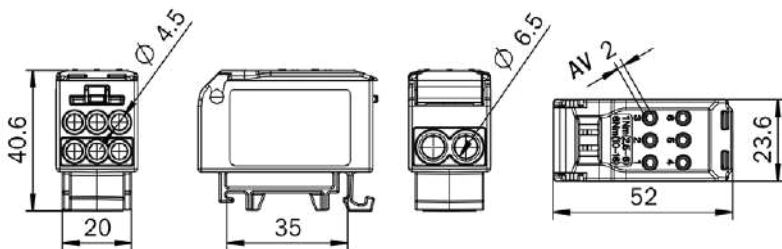
OJL distribution blocks are designed to be used when distributing power to several smaller wires. In all models, one input conductor can be installed, whereas the number of output conductors is six (6), seven (7) or 11 between the connector models.

The input cable can be aluminium or copper. Output wirings can be only done with copper conductors.

OJL 80

The single pole distribution block OJL 80 for branching connections. Distributes the current through 6 output cables. Input wirings: 2xAl/Cu (2,5-16 mm²). Output wirings: 6xCu (2,5-6 mm²)

PA66 models have a housing and cover made of safe PA66 V-0 material. DIN-rail mounting.

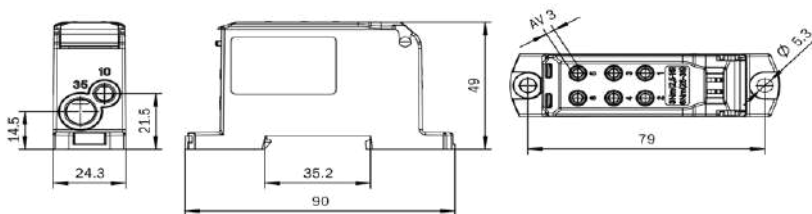


STK code	Product code	Product name	Colour	Conductor - Input (mm ²)	Conductor - Output (mm ²)	Un (V)	In (A)	Tightening torque	Weight (g)	Package (pcs)
19 143 76	VG03-0059	OJL 80	Grey	2xAl/Cu 2,5-16	6xCu 2,5-6	1000 V AC / 1500 V DC	80 (Cu) / 75 (Al)	1 Nm (2,5-6 mm ²), 6 Nm (2,5-16 mm ²)	38	36
19 143 77	VG03-0060	OJL 80	Blue	2xAl/Cu 2,5-16	6xCu 2,5-6	1000 V AC / 1500 V DC	80 (Cu) / 75 (Al)	1 Nm (2,5-6 mm ²), 6 Nm (2,5-16 mm ²)	38	36
19 143 78	VG03-0061	OJL 80	Green	2xAl/Cu 2,5-16	6xCu 2,5-6	1000 V AC / 1500 V DC	80 (Cu) / 75 (Al)	1 Nm (2,5-6 mm ²), 6 Nm (2,5-16 mm ²)	38	36
19 143 79	VG03-0068	OJL 80 PA66	Grey	2xAl/Cu 2,5-16	6xCu 2,5-6	1000 V AC / 1500 V DC	80 (Cu) / 75 (Al)	1 Nm (2,5-6 mm ²), 6 Nm (2,5-16 mm ²)	38	36
19 143 80	VG03-0069	OJL 80 PA66	Blue	2xAl/Cu 2,5-16	6xCu 2,5-6	1000 V AC / 1500 V DC	80 (Cu) / 75 (Al)	1 Nm (2,5-6 mm ²), 6 Nm (2,5-16 mm ²)	38	36
19 143 81	VG03-0070	OJL 80 PA66	Green	2xAl/Cu 2,5-16	6xCu 2,5-6	1000 V AC / 1500 V DC	80 (Cu) / 75 (Al)	1 Nm (2,5-6 mm ²), 6 Nm (2,5-16 mm ²)	38	36

OJL 135

The single pole distribution block OJL 135 for branching connections. Distributes the current through 6 output cables. Suitable for series connection. Input wirings either 1xAl/Cu (2,5-35 mm²) or 1xAl/Cu (2,5-10 mm²). Output wirings: 4xCu (2,5-16 mm²) and 2xCu (2,5-10 mm²).

PA66 models have a housing and cover made of safe PA66 V-0 material. DIN-rail mounting or installation with screws.

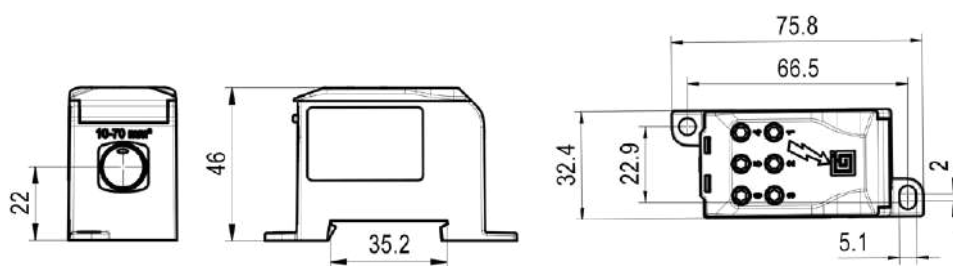


STK code	Product code	Product name	Colour	Conductor - Input (mm ²)	Conductor - Output (mm ²)	Un (V)	In (A)	Tightening torque	Weight (g)	Package (pcs)
19 143 57	VG03-0052	OJL 135	Grey	1xAl/Cu 2,5-35 / 1xAl/Cu 2,5-10	4xCu 2,5-16, 2xCu 2,5-10	1000 V	135 (Cu) / 120 (Al)	3 Nm (2,5-16 mm ²), 6 Nm (2,5-35 mm ²)	75	36
19 143 58	VG03-0053	OJL 135	Blue	1xAl/Cu 2,5-35 / 1xAl/Cu 2,5-10	4xCu 2,5-16, 2xCu 2,5-10	1000 V	135 (Cu) / 120 (Al)	3 Nm (2,5-16 mm ²), 6 Nm (2,5-35 mm ²)	75	36
19 143 59	VG03-0054	OJL 135	Green	1xAl/Cu 2,5-35 / 1xAl/Cu 2,5-10	4xCu 2,5-16, 2xCu 2,5-10	1000 V	135 (Cu) / 120 (Al)	3 Nm (2,5-16 mm ²), 6 Nm (2,5-35 mm ²)	75	36
19 143 60	VG03-0065	OJL 135 PA66	Grey	1xAl/Cu 2,5-35 / 1xAl/Cu 2,5-10	4xCu 2,5-16, 2xCu 2,5-10	1000 V	135 (Cu) / 120 (Al)	3 Nm (2,5-16 mm ²), 6 Nm (2,5-35 mm ²)	75	36
19 143 61	VG03-0066	OJL 135 PA66	Blue	1xAl/Cu 2,5-35 / 1xAl/Cu 2,5-10	4xCu 2,5-16, 2xCu 2,5-10	1000 V	135 (Cu) / 120 (Al)	3 Nm (2,5-16 mm ²), 6 Nm (2,5-35 mm ²)	75	36
19 143 62	VG03-0067	OJL 135 PA66	Green	1xAl/Cu 2,5-35 / 1xAl/Cu 2,5-10	4xCu 2,5-16, 2xCu 2,5-10	1000 V	135 (Cu) / 120 (Al)	3 Nm (2,5-16 mm ²), 6 Nm (2,5-35 mm ²)	75	36

OJL 200

The single pole distribution block OJL 200 for branching connections. Distributes the current through 6 output cables. Input wiring: 1xAl/Cu (10-70mm²). Output wirings: 6xCu (2,5-16mm²)

PA66 models have a housing and cover made of safe PA66 V-0 material. DIN-rail mounting or installation with screws.

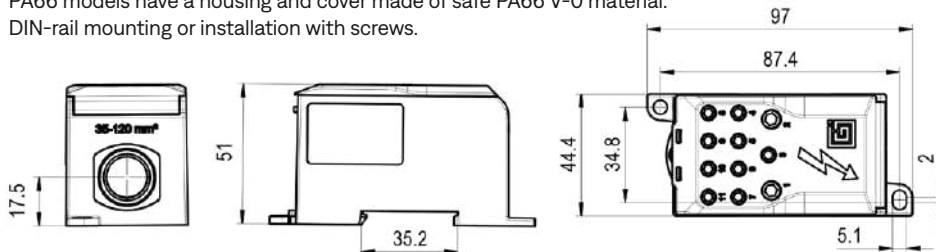


STK code	Product code	Product name	Conductor - Input (mm ²)	Conductor - Output (mm ²)	Un (V)	In (A)	Tightening torque	Weight (g)	Package (pcs)
19 120 09	VG03-0006	OJL 200 Grey	1xAl/Cu 10-70	6xCu 2,5-16	1000 V AC / 1500 V DC	200 (Cu / 160 (Al))	3 Nm (2,5-16 mm ²), 6 Nm (25-35 mm ²), 10 Nm (50-70 mm ²)	84	30
19 123 90	VG03-0031	OJL 200 Blue	1xAl/Cu 10-70	6xCu 2,5-16	1000 V AC / 1500 V DC	200 (Cu / 160 (Al))	3 Nm (2,5-16 mm ²), 6 Nm (25-35 mm ²), 10 Nm (50-70 mm ²)	84	30
19 123 92	VG03-0032	OJL 200 Green	1xAl/Cu 10-70	6xCu 2,5-16	1000 V AC / 1500 V DC	200 (Cu / 160 (Al))	3 Nm (2,5-16 mm ²), 6 Nm (25-35 mm ²), 10 Nm (50-70 mm ²)	84	30
19 144 15	VG03-0078	OJL 200 Grey PA66	1xAl/Cu 10-70	6xCu 2,5-16	1000 V AC / 1500 V DC	200 (Cu / 160 (Al))	3 Nm (2,5-16 mm ²), 6 Nm (25-35 mm ²), 10 Nm (50-70 mm ²)	84	30
19 144 16	VG03-0079	OJL 200 Blue PA66	1xAl/Cu 10-70	6xCu 2,5-16	1000 V AC / 1500 V DC	200 (Cu / 160 (Al))	3 Nm (2,5-16 mm ²), 6 Nm (25-35 mm ²), 10 Nm (50-70 mm ²)	84	30
19 144 17	VG03-0080	OJL 200 Green PA66	1xAl/Cu 10-70	6xCu 2,5-16	1000 V AC / 1500 V DC	200 (Cu / 160 (Al))	3 Nm (2,5-16 mm ²), 6 Nm (25-35 mm ²), 10 Nm (50-70 mm ²)	84	30

OJL 280

The single pole distribution block OJL 280 for branching connections. Distributes the current through 11 output cables. Input wiring: 1xAl/Cu (35-120mm²) Output wirings: 2xCu (6-35 mm²), 5xCu (2,5-16mm²) and 4xCu (2,5-10mm²)

PA66 models have a housing and cover made of safe PA66 V-0 material. DIN-rail mounting or installation with screws.



STK code	Product code	Product name	Conductor - Input (mm ²)	Conductor - Output (mm ²)	Un (V)	In (A)	Tightening torque	Weight (g)	Package (pcs)
19 120 08	VG03-0003	OJL 280 Grey	1xAl/Cu 35-120	2xCu 6-35, 5xCu 2,5-16, 4xCu 2,5-10	1000 V AC / 1500 V DC	280 (Cu) / 250 (Al)	3 Nm (2,5-16 mm ²), 6 Nm (25-35 mm ²), 10 Nm (50-70 mm ²), 19 Nm (95-120 mm ²)	178	12
19 123 88	VG03-0033	OJL 280 Blue	1xAl/Cu 35-120	2xCu 6-35, 5xCu 2,5-16, 4xCu 2,5-10	1000 V AC / 1500 V DC	280 (Cu) / 250 (Al)	3 Nm (2,5-16 mm ²), 6 Nm (25-35 mm ²), 10 Nm (50-70 mm ²), 19 Nm (95-120 mm ²)	178	12
19 123 89	VG03-0034	OJL 280 Green	1xAl/Cu 35-120	2xCu 6-35, 5xCu 2,5-16, 4xCu 2,5-10	1000 V AC / 1500 V DC	280 (Cu) / 250 (Al)	3 Nm (2,5-16 mm ²), 6 Nm (25-35 mm ²), 10 Nm (50-70 mm ²), 19 Nm (95-120 mm ²)	178	12
19 144 18	VG03-0081	OJL 280 Grey PA66	1xAl/Cu 35-120	2xCu 6-35, 5xCu 2,5-16, 4xCu 2,5-10	1000 V AC / 1500 V DC	280 (Cu) / 250 (Al)	3 Nm (2,5-16 mm ²), 6 Nm (25-35 mm ²), 10 Nm (50-70 mm ²), 19 Nm (95-120 mm ²)	178	12
19 144 19	VG03-0082	OJL 280 Blue PA66	1xAl/Cu 35-120	2xCu 6-35, 5xCu 2,5-16, 4xCu 2,5-10	1000 V AC / 1500 V DC	280 (Cu) / 250 (Al)	3 Nm (2,5-16 mm ²), 6 Nm (25-35 mm ²), 10 Nm (50-70 mm ²), 19 Nm (95-120 mm ²)	178	12
19 144 20	VG03-0083	OJL 280 Green PA66	1xAl/Cu 35-120	2xCu 6-35, 5xCu 2,5-16, 4xCu 2,5-10	1000 V AC / 1500 V DC	280 (Cu) / 250 (Al)	3 Nm (2,5-16 mm ²), 6 Nm (25-35 mm ²), 10 Nm (50-70 mm ²), 19 Nm (95-120 mm ²)	178	12

OJL distribution blocks



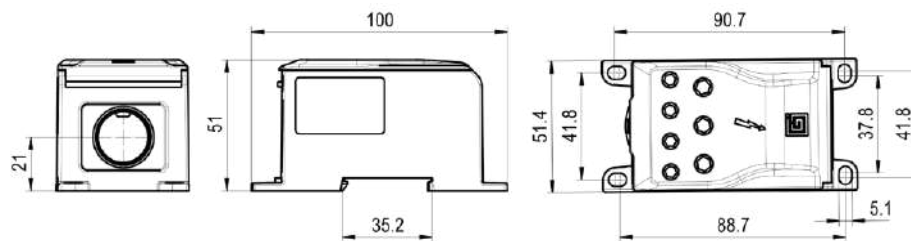
OJL 400

OJL 400 C and C S distribution blocks represent an input option for aluminium or copper cables with cross section range of 95-240mm². 400 C S model also include an option for cover sealing. The single pole distribution block OJL 400 for branching connections. Distributes the current through 7 output cables.

Input wiring: 1xAl/Cu (95-240 mm²)

Output wirings: 3xCu (6-50 mm²) and 4xCu (2,5-35mm²)

PA66 models have a housing and cover made of safe PA66 V-0 material.
DIN-rail mounting or installation with screws.



STK code	Product code	Product name*	Conductor - Input (mm ²)	Conductor - Output (mm ²)	Un (V)	In (A)	Tightening torque	Weight (g)	Package (pcs)
19 120 93	VG03-0007	OJL 400 C Grey	1xAl/Cu 95-240	4xCu 2,5-35, 3xCu 6-50	1000 V AC / 1500 V DC	600 (Cu) / 380 (Al)	6 Nm (2,5-35 mm ²), 10 Nm (50-70 mm ²), 25 Nm (95-240 mm ²)	250	8
19 123 93	VG03-0035	OJL 400 C Blue	1xAl/Cu 95-240	4xCu 2,5-35, 3xCu 6-50	1000 V AC / 1500 V DC	600 (Cu) / 380 (Al)	6 Nm (2,5-35 mm ²), 10 Nm (50-70 mm ²), 25 Nm (95-240 mm ²)	250	8
19 123 94	VG03-0036	OJL 400 C Green	1xAl/Cu 95-240	4xCu 2,5-35, 3xCu 6-50	1000 V AC / 1500 V DC	600 (Cu) / 380 (Al)	6 Nm (2,5-35 mm ²), 10 Nm (50-70 mm ²), 25 Nm (95-240 mm ²)	250	8
19 120 94	VG03-0008	OJL 400 C S	1xAl/Cu 95-240	4xCu 2,5-35, 3xCu 6-50	1000 V AC / 1500 V DC	600 (Cu) / 380 (Al)	6 Nm (2,5-35 mm ²), 10 Nm (50-70 mm ²), 25 Nm (95-240 mm ²)	250	8
19 144 21	VG03-0084	OJL 400 C PA66 Grey	1xAl/Cu 95-240	4xCu 2,5-35, 3xCu 6-50	1000 V AC / 1500 V DC	600 (Cu) / 380 (Al)	6 Nm (2,5-35 mm ²), 10 Nm (50-70 mm ²), 25 Nm (95-240 mm ²)	250	8
19 144 22	VG03-0085	OJL 400 C PA66 Blue	1xAl/Cu 95-240	4xCu 2,5-35, 3xCu 6-50	1000 V AC / 1500 V DC	600 (Cu) / 380 (Al)	6 Nm (2,5-35 mm ²), 10 Nm (50-70 mm ²), 25 Nm (95-240 mm ²)	250	8
19 144 23	VG03-0086	OJL 400 C PA66 Green	1xAl/Cu 95-240	4xCu 2,5-35, 3xCu 6-50	1000 V AC / 1500 V DC	600 (Cu) / 380 (Al)	6 Nm (2,5-35 mm ²), 10 Nm (50-70 mm ²), 25 Nm (95-240 mm ²)	250	8
19 144 24	VG03-0087	OJL 400 C S PA66 Grey	1xAl/Cu 95-240	4xCu 2,5-35, 3xCu 6-50	1000 V AC / 1500 V DC	600 (Cu) / 380 (Al)	6 Nm (2,5-35 mm ²), 10 Nm (50-70 mm ²), 25 Nm (95-240 mm ²)	250	8

* Clarification for model name: S = "Sealing" Model can be sealed.

OJL 400 FBB

OJL 400 FBB and FBB S distribution blocks represent an option for using flexible busbar as input.

FBB S model also include an option for cover sealing.

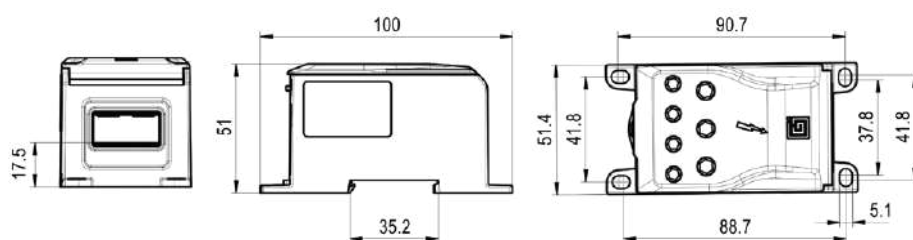
Distributes the current through 7 output cables.

Input busbar: Cu 10x(1×24)

Output wirings: 3xCu (6-50 mm²) and 4xCu (2,5-35mm²)

PA66 models have a housing and cover made of safe PA66 V-0 material.

DIN-rail mounting or installation with screws.



STK code	Product code	Product name*	Conductor - Input (mm ²)	Conductor - Output (mm ²)	Un (V)	In (A)	Tightening torque	Weight (g)	Package (pcs)
19 120 95	VG03-0009	OJL 400 FBB Grey	Flexible busbar Cu 10x(1×24)	4xCu 2,5-35, 3xCu 6-50	1000 V AC / 1500 V DC	600 (Cu) / 380 (Al)	6 Nm (busbar), 6 Nm (2,5-35 mm ²), 10 Nm (6-50 mm ²)	247	8
19 123 95	VG03-0037	OJL 400 FBB Blue	Flexible busbar Cu 10x(1×24)	4xCu 2,5-35, 3xCu 6-50	1000 V AC / 1500 V DC	600 (Cu) / 380 (Al)	6 Nm (busbar), 6 Nm (2,5-35 mm ²), 10 Nm (6-50 mm ²)	247	8
19 123 96	VG03-0038	OJL 400 FBB Green	Flexible busbar Cu 10x(1×24)	4xCu 2,5-35, 3xCu 6-50	1000 V AC / 1500 V DC	600 (Cu) / 380 (Al)	6 Nm (busbar), 6 Nm (2,5-35 mm ²), 10 Nm (6-50 mm ²)	247	8
19 120 96	VG03-0010	OJL 400 FBB S	Flexible busbar Cu 10x(1×24)	4xCu 2,5-35, 3xCu 6-50	1000 V AC / 1500 V DC	600 (Cu) / 380 (Al)	6 Nm (busbar), 6 Nm (2,5-35 mm ²), 10 Nm (6-50 mm ²)	247	8
19 144 25	VG03-0088	OJL 400 FBB Grey	Flexible busbar Cu 10x(1×24)	4xCu 2,5-35, 3xCu 6-50	1000 V AC / 1500 V DC	600 (Cu) / 380 (Al)	6 Nm (busbar), 6 Nm (2,5-35 mm ²), 10 Nm (6-50 mm ²)	247	8
19 144 26	VG03-0089	OJL 400 FBB Blue	Flexible busbar Cu 10x(1×24)	4xCu 2,5-35, 3xCu 6-50	1000 V AC / 1500 V DC	600 (Cu) / 380 (Al)	6 Nm (busbar), 6 Nm (2,5-35 mm ²), 10 Nm (6-50 mm ²)	247	8
19 144 27	VG03-0090	OJL 400 FBB Green	Flexible busbar Cu 10x(1×24)	4xCu 2,5-35, 3xCu 6-50	1000 V AC / 1500 V DC	600 (Cu) / 380 (Al)	6 Nm (busbar), 6 Nm (2,5-35 mm ²), 10 Nm (6-50 mm ²)	247	8
19 144 28	VG03-0091	OJL 400 FBB S	Flexible busbar Cu 10x(1×24)	4xCu 2,5-35, 3xCu 6-50	1000 V AC / 1500 V DC	600 (Cu) / 380 (Al)	6 Nm (busbar), 6 Nm (2,5-35 mm ²), 10 Nm (6-50 mm ²)	247	8

* Clarification for model name: S = "Sealing" Model can be sealed.

OJL busbar adapters



Use: OJL busbar adapters are used for connecting OJL connectors to copper or aluminium busbars.

Materials: Adapters are made of tin-plated copper.



STK code	Product code	Product name	D (mm)	H (mm)	H1 (mm)	L (mm)	L1 (mm)	W (mm)	W1 (mm)	W2 (mm)	Weight (g)	Package (pcs)
191 23 97	VG03-0030	Busbar adapter OJL 200	9,8	5,95	4,8	45	14	14	6,8	11,9	22	10
19 123 98	VG03-0029	Busbar adapter OJL 280	13,8	7,25	5	61	35	23	10,8	14,5	49	10
191 23 99	VG03-0028	Busbar adapter OJL 400 C	13,8	9,75	5,2	70	40	30	10,8	19,5	90	10

Terminal plates

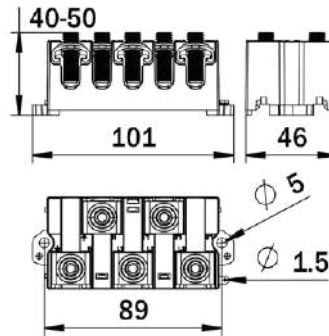


General: Product is equipped with fastening snaps for insulating cover (available separately). Terminal plates can be mounted on DIN-rail or installed with screws.

Use: Terminal plates are designed for connecting copper cables.

Materials: Connector parts are made of zinc-plated steel. Insulating base is made of polyamide.

Standard: EN 60947-7-1:2009



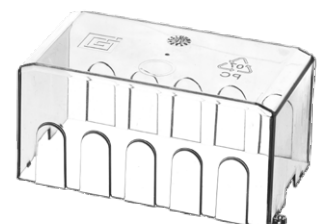
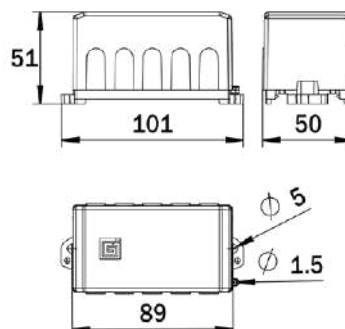
Maximum number of conductors per one connection point

Conductor (mm ²)	Conductors max (No.)	Tightening torque
Cu 2,5	8	3 Nm
Cu 4	6	3 Nm
Cu 6	6	3 Nm
Cu 10	4	5 Nm
Cu 16	2	5 Nm

STK code	Product code	Conductor (mm ²)	Un (V)	In (A)	Tightening torque	Weight (g)	Package (pcs)
19 141 47	VG01-0019	5xCu 2,5-16	690	124	3 Nm (2,5-6 mm ²), 5 Nm (10-16 mm ²)	145	50

Insulating cover

Insulating cover for terminal plate (IP20). Cover can be sealed to terminal plate. Insulating covers are made from polycarbonate.



STK code	Product code	Type	Weight (g)	Package (pcs)
19 141 88	OD02-0002	Compatible with VG01-0019	18	50

Branching blocks



General: All models can be mounted on DIN-rail or installed with screws.

Use: Ouneva distribution blocks are designed to be used when connecting and branching copper cables.

Materials: Connection parts are made of zinc-plated steel and tin-plated copper. Insulating base is made of polyamide.

Standard: EN 60947-7-1:2009



STK code	Product code	Conductor (mm ²)	Un (V)	In (A)	Tightening torque	Weight (g)	Package (pcs)
19 141 78	VG02-0001	Cu 6-70+2,5-70	690	270	3 Nm (2,5-70 mm ²)	145	15
19 141 79	VG02-0002	Cu 6-70	690	200	3 Nm (2,5-70 mm ²)	101	15
19 141 80	VG02-0003	Cu 35-240	690	430	12 Nm (35-240 mm ²)	250	15
19 141 81	VG02-0004	Cu 35-240+16-185	690	430 / 360	12 Nm (16-240 mm ²)	364	10
19 141 82	VG02-0005	Cu 35-150	690	310	15 Nm (35-150 mm ²)	173	15
19 141 83	VG02-0006	Cu 35-150+16-150	690	310	15 Nm (16-150 mm ²)	289	10

Copper plates

Copper plates are used between conductors when connecting several different sizes of wires to branching block.



STK code	Product code	Product name	Compatibility	Weight (g)	Package (pcs)
19 120 41	KG02-0012	Cu-plate 6-70	VG02-0001 and VG02-0002	6	100
19 120 53	KG02-0013	Cu-plate 35-240	VG02-0003 and VG02-0004	13	100

Side covers

Covers are used to protect wires and insulate phases from each other. Side covers are made of plastic.



STK code	Product code	Product name	Compatibility	Weight (g)	Package (pcs)
19 120 54	OD02-0508	Side cover 6-70	VG02-0001 and VG02-0002	13	100
19 120 56	OD02-0511	Side cover 35-240	VG02-0003, VG02-0004, VG02-0005 and VG02-0006	30	100

OPK pole branching connectors



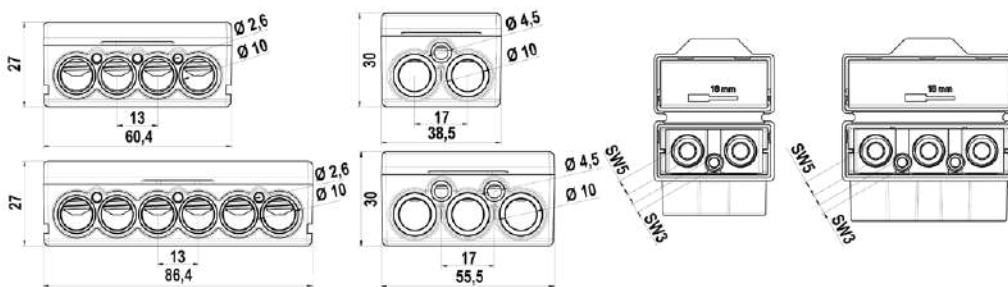
General: Several different connector kits are available. Ask for more information from Ouneva sales!

Use: Single pole distribution block for branching connections. Pole branching connectors is designed to be used with both aluminium and copper cables. Pole branching connectors have from three to nine branching conductor inputs. When conductors $\geq 2,5 \text{ mm}^2$ are used in LED input spaces and $\geq 25 \text{ mm}^2$ conductors in larger connector spaces, IP23 can be achieved with adequate sized conductor in each slot. Sealing kit is available as accessory for IP33 sealing.



Materials: Body and tightening screws are tin-plated aluminium. Plastic cover is made of polyamide.

Standards: EN 60947-7-1:2009, EN 61238-1:2003; EN 60529:1991 + A1:2000 + A2:2013



STK code	Product code	Product name	Colour	Conductor (mm ²)	Un (V)	In (A) Cu / Al	Tightening torque	Weight (g)	Package (pcs)
19 142 84	VC02-0072	OPK 2×50 LED Grey	●	Al 2×50 / Cu 2×35+1×1,5-6	1000	135/145	2 Nm (1,5-6 mm ² LED, 3 Nm (2,5-16 mm ²), 8 Nm (25-50 mm ²)	33	18
19 142 85	VC02-0075	OPK 2×50 LED Blue	●	Al 2×50 / Cu 2×35+1×1,5-6	1000	135/145	2 Nm (1,5-6 mm ² LED, 3 Nm (2,5-16 mm ²), 8 Nm (25-50 mm ²)	33	18
19 142 86	VC02-0076	OPK 2×50 LED Yellow/Green	●	Al 2×50 / Cu 2×35+1×1,5-6	1000	135/145	2 Nm (1,5-6 mm ² LED, 3 Nm (2,5-16 mm ²), 8 Nm (25-50 mm ²)	33	18
19 143 31	VC02-0111	OPK 3×50 LED Grey	●	Al 3×50 / Cu 3×35 + 2×1,5-6	1000	135/145	2 Nm (1,5-6 mm ² LED, 3 Nm (2,5-16 mm ²), 8 Nm (25-50 mm ²)	49	18
19 143 32	VC02-0112	OPK 3×50 LED Blue	●	Al 3×50 / Cu 3×35 + 2×1,5-6	1000	135/145	2 Nm (1,5-6 mm ² LED, 3 Nm (2,5-16 mm ²), 8 Nm (25-50 mm ²)	49	18
19 143 33	VC02-0113	OPK 3×50 LED Yellow/Green	●	Al 3×50 / Cu 3×35 + 2×1,5-6	1000	135/145	2 Nm (1,5-6 mm ² LED, 3 Nm (2,5-16 mm ²), 8 Nm (25-50 mm ²)	49	18
19 142 00	VC02-0026	OPK 4×50 Grey	●	Al 4×50 / Cu 4×35	1000	135/145	3 Nm (2,5-16 mm ²), 8 Nm (25-50 mm ²)	42	18
19 142 27	VC02-0040	OPK 4×50 Blue	●	Al 4×50 / Cu 4×35	1000	135/145	3 Nm (2,5-16 mm ²), 8 Nm (25-50 mm ²)	42	18
19 142 02	VC02-0057	OPK 4×50 Yellow/Green	●	Al 4×50 / Cu 4×35	1000	135/145	3 Nm (2,5-16 mm ²), 8 Nm (25-50 mm ²)	42	18
19 142 29	VC02-0039	OPK 4×50 LED Grey	●	Al 4×50 / Cu 4×35+3×1,5-2,5	1000	135/145	1 Nm (1,5-2,5 mm ² LED, 3 Nm (2,5-16 mm ²), 8 Nm (25-50 mm ²)	46	18
19 142 04	VC02-0041	OPK 4×50 LED Blue	●	Al 4×50 / Cu 4×35+3×1,5-2,5	1000	135/145	1 Nm (1,5-2,5 mm ² LED, 3 Nm (2,5-16 mm ²), 8 Nm (25-50 mm ²)	46	18
19 142 06	VC02-0055	OPK 4×50 LED Yellow/Green	●	Al 4×50 / Cu 4×35+3×1,5-2,5	1000	135/145	1 Nm (1,5-2,5 mm ² LED, 3 Nm (2,5-16 mm ²), 8 Nm (25-50 mm ²)	46	18
19 142 01	VC02-0027	OPK 6×50 Grey	●	Al 6×50 / Cu 6×35	1000	135/145	3 Nm (2,5-16 mm ²), 8 Nm (25-50 mm ²)	61	6
19 142 28	VC02-0042	OPK 6×50 Blue	●	Al 6×50 / Cu 6×35	1000	135/145	3 Nm (2,5-16 mm ²), 8 Nm (25-50 mm ²)	61	6
19 142 03	VC02-0058	OPK 6×50 Yellow/Green	●	Al 6×50 / Cu 6×35	1000	135/145	3 Nm (2,5-16 mm ²), 8 Nm (25-50 mm ²)	61	6
19 142 30	VC02-0038	OPK 6×50 LED Grey	●	Al 6×50 / Cu 6×35+3×1,5-2,5	1000	135/145	1 Nm (1,5-2,5 mm ² LED, 3 Nm (2,5-16 mm ²), 8 Nm (25-50 mm ²)	70	6
19 142 05	VC02-0043	OPK 6×50 LED Blue	●	Al 6×50 / Cu 6×35+3×1,5-2,5	1000	135/145	1 Nm (1,5-2,5 mm ² LED, 3 Nm (2,5-16 mm ²), 8 Nm (25-50 mm ²)	70	6
19 142 07	VC02-0059	OPK 6×50 LED Yellow/Green	●	Al 6×50 / Cu 6×35+3×1,5-2,5	1000	135/145	1 Nm (1,5-2,5 mm ² LED, 3 Nm (2,5-16 mm ²), 8 Nm (25-50 mm ²)	70	6

Pole branching connector kits



General: Connector kits include LED connectors for connecting 4- or 5-cable pole systems, 350 mm / 16 mm² grounding cable with PK 16-6H fork cable lug and 350 mm / 2,5 mm² black connector cable and fuse with base (excl. VC02-0071).

Use: The kits are designed especially for lightning pole connections, enabling quick and easy installations in big projects.

Materials: Body and tightening screws are made of tin-plated aluminium. Plastic cover is made of polyamide.

Standards: EN 60947-7-1:2009, EN 61238-1:2003; EN 60529:1991 + A1:2000 + A2:2013

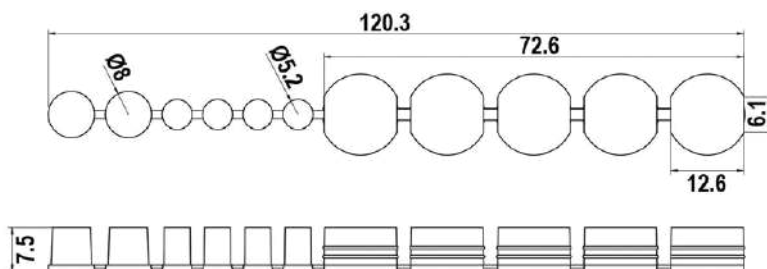


STK code	Product code	Type	Weight (g)	Package (pcs)
19 142 77	VC02-0071	Pole branching connector kit 3x 4x50 mm ² , 1x 6x50 mm ² with conductors	250	Acc. to order
19 143 73	VC02-0130	Pole branching connector kit 3x 2x50 mm ² , 1x 3x50 mm ² with conductors	240	Acc. to order
19 143 75	VC02-0132	Pole branching connector kit 3x 2x50 mm ² , 1x 3x50 mm ² with grounding conductor	230	Acc. to order
19 143 82	VC02-0139	Pole branching connector kit 3x 3x50 mm ² , 1x 4x50 mm ² with conductors	274	Acc. to order
19 143 74	VC02-0131	Pole branching connector kit 3x 2x50 mm ² , 1x 3x50 mm ² with fuse base and 6 A fuse	470	Acc. to order
19 143 83	VC02-0140	Pole branching connector kit 3x 3x50 mm ² , 1x 4x50 mm ² with fuse base and 6 A fuse	444	Acc. to order
19 143 84	VC02-0141	Pole branching connector kit 3x 4x50 mm ² , 1x 6x50 mm ² with fuse base and 10 A fuse	444	Acc. to order
19 142 92	VC02-0085	Pole branching connector kit 3x 4x50 mm ² , 1x 6x50 mm ² with fuse base and 6 A fuse	465	Acc. to order
19 142 73	VC02-0069	Pole branching connector kit 3x 4x50 mm ² , 1x 6x50 mm ² with fuse base and 10 A fuse	465	Acc. to order
19 143 30	VC02-0115	Pole branching connector kit 5x 4x50 mm ² with fuse base and 6 A fuse	492	Acc. to order
19 143 29	VC02-0114	Pole branching connector kit 5x 4x50 mm ² with fuse base and 6 A fuse	492	Acc. to order

Pole branching connector sealing kit

IP33-class sealing can be achieved with our pole branching connector sealing kit.

Materials: EPDM



STK code	Product code	Weight (g)	Package (pcs)
19 142 65	OD01-0078	5	3

Grounding equipment

All our grounding accessories are made from high-quality materials, enabling you to achieve reliable and electrically safe grounding. Our grounding accessories are ideally suited for tasks such as creating neutral and protective grounding for distribution boards and switchgears.

Product documents:



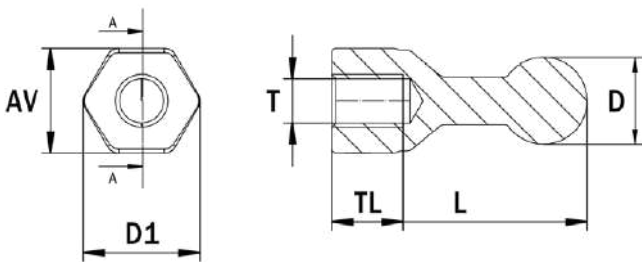
Grounding ball studs



Use: Grounding ball studs are used for safety grounding appliances in demanding applications.

Materials: Grounding ball studs are made of tin-plated copper.

Standard: IEC/EN 61230:2008 (5.7)



STK code	Product code	Type	T	TL (mm)	AV (mm)	D (mm)	D1 (mm)	L (mm)	Max short-circuit current	Weight (g)	Package (pcs)
64 360 08	VI03-0010	Ball 20 mm / M12 screw hole	M12	16	27	20	27	58,6	23,7 kA/1s	178	20
64 360 09	VI03-0011	Ball 25 mm / M12 screw hole	M12	20	27	25	30	65,6	29,6 kA/1s	208	20
64 360 10	VI03-0012	Ball 30 mm / M12 screw hole	M12	20	27	30	30	71,1	29,6 kA/1s	262	20
64 146 07	VI03-0004	Ball 30 mm / M16 / 30° bend	M16	24	27	30	30	91	25 kA/1s	344	10

Ball stud assemblies

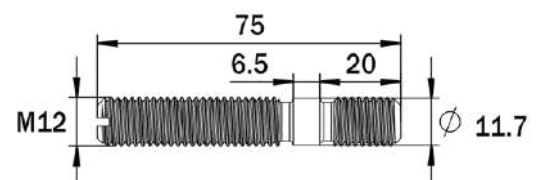
Assemblies include grounding ball stud, stainless steel adapter, washer and nut for fastening.



STK code	Product code	Type	Weight (g)	Package (pcs)
64 360 25	VI03-0025	20 mm ball+ M12 adapter	245	20
64 360 26	VI03-0026	25 mm ball+ M16 adapter	305	20
64 360 27	VI03-0027	25 mm ball+ M12 adapter	275	20

Ball stud adapter

Adapter M12 is compatible with M12 -threaded grounding ball stud models. Adapter is made of zinc-plated steel.



STK code	Product code	Type	Weight (g)	Package (pcs)
64 360 11	VK01-0001	Screw adapter M12-M12	53	20

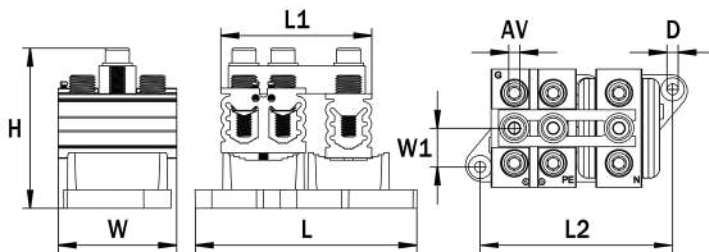
PEN connectors



OT PEN

Use: PEN-connector, TN-C (PEN) system can be transferred into TN-S (PE+N) system by removing connector block. Terminal is designed to be used with both copper and aluminium cables. All connectors are equipped with two terminals for test leads. Connectors are screw mounted.

Materials: Connector parts are made of tin-plated aluminium and housing is made of polyamide.

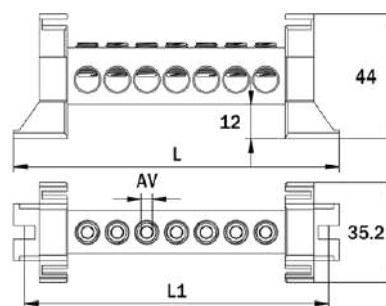


STK code	Product code	Product name	Conductor (mm ²)	Un (V)	L (mm)	L1 (mm)	L2 (mm)	H (mm)	W (mm)	W1 (mm)	AV (mm)	D (mm)	Tightening torque (Nm) - Conductors	Tightening torque (Nm) - Test leads	Weight (g)	Package (pcs)
19 120 40	VI02-0001	OT-PEN 50	6xAl/Cu 1,5-50	690	83	60	76	57	44	5,25	5	4	1,5 Nm (1,5-2,5 mm ²), 5 Nm (4-16 mm ²), 10 Nm (25-50 mm ²)	3,5 Nm (1,5-4 mm ²)	174	9
19 120 34	VI02-0002	OT-PEN 95	6xAl/Cu 6-95	690	83	63,5	76	80	64	5,25	5	4	5 Nm (6-16 mm ²), 22 Nm (25-95 mm ²)	3,5 Nm (1,5-4 mm ²)	356	9
19 120 35	VI02-0003	OT-PEN 120	6xAl/Cu 16-120	690	120	81,5	104	87	64	21	6	6	5 Nm (16 mm ²), 26 Nm (25-120 mm ²)	3,5 Nm (1,5-4 mm ²)	573	5
19 120 36	VI02-0004	OT-PEN 150	6xAl/Cu 25-150	690	120	82	104	91	64	21	6	6	14 Nm (25-50 mm ²), 30 Nm (70-150 mm ²)	3,5 Nm (1,5-4 mm ²)	605	5
19 120 37	VI02-0005	OT-PEN 240	6xAl/Cu 35-240	690	134,9	104,5	119	101,6	64	21	8	6	26 Nm (35-120 mm ²), 40 Nm (150-240 mm ²)	3,5 Nm (1,5-4 mm ²)	813	5

Potential equalizer busbars

Use: Potential equalizer busbars are used when connecting or assembling potential-equalizing cables. Busbars are mounted by screws.

Materials: Body and screws are made of tin-plated aluminium. Busbar support is made of polyamide.



STK code	Product code	Conductor (mm ²)	Un (V)	L (mm)	L1 (mm)	AV (mm)	Tightening torque	Weight (g)	Package (pcs)
19 121 27	VE04-0001	5xAl/Cu 6-50	690	108,5	101	5	7 Nm (6-16 mm ²), 14 Nm (25-50 mm ²)	69	5
19 121 28	VE04-0002	2xAl/Cu 6-70 + 8xAl/Cu 6-50	690	180	172,5	5	7 Nm (6-16 mm ²), 14 Nm (25-70 mm ²)	107	5
19 142 66	VE04-0007	7xAl/Cu 25	690	115	107,5	4	3 Nm (1,5-6 mm ²), 6 Nm (10-25 mm ²)	73	5
19 142 67	VE04-0008	14xAl/Cu 25	690	190	182,5	4	3 Nm (1,5-6 mm ²), 6 Nm (10-25 mm ²)	113	5

Modular N/PE busbars

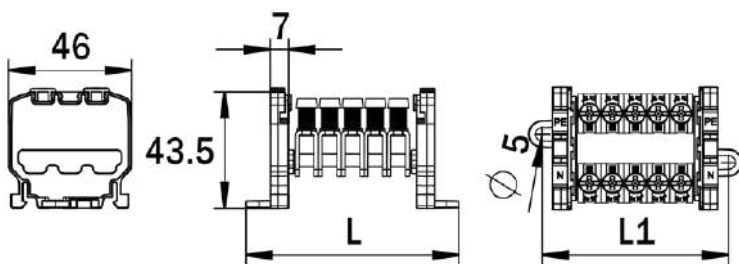
Ouneva N/PE-busbars are used in switchgears and other systems for neutral and safety grounding. Construction of busbar system is modular and allows client to order special configurations. Quadrangular busbar (5×5 mm Cu) is compatible with 6 mm², 16 mm² and 35 mm² connectors. Busbar supports are made of grey nylon (PA 66).

Supports can be mounted to DIN-rail or install with screws. Nominal voltage of the systems is 600 V.

Ask for a specific assembly to meet your requirements!

N/PE busbars

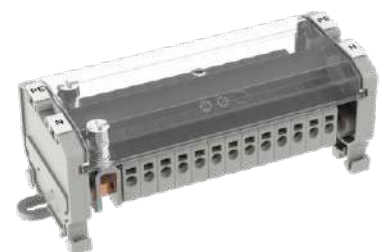
N/PE busbars include busbars, end supports, connectors and potential markings. Marking supports, finger guards and marking charts are available separately as accessories.



STK code	Product code	Type	L (mm)	L1 (mm)	Installation	Weight (g)	Package (pcs)
19 142 54	VI05-0178	N/PE K2 5×5 (2x 0,75-16 / 12x 0,75-6 mm ²)	126	116	Screw	211	8
19 142 55	VI05-0179	N/PE K2 5×5 (2x 0,75-16 / 22x 0,75-6 mm ²)	186	176	Screw	330	8
19 142 56	VI05-0180	N/PE K2 5×5 (2x 0,75-16 / 32x 0,75-6 mm ²)	246	236	Screw	455	5
19 142 57	VI05-0181	N/PE K2 5×5 (5x 0,75-16 mm ²)	80	70	Screw	116	10
19 142 58	VI05-0182	PE K1 5×5 (7x 0,75-16 mm ²)	97	87	Screw	86	10

N/PE push-in assemblies

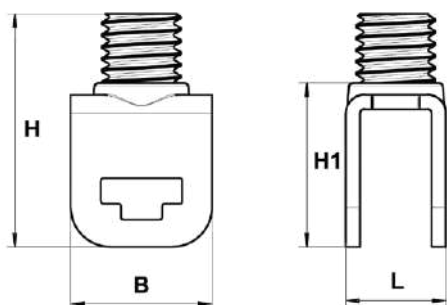
Assemblies include connectors, busbars, end supports, marking supports and finger guards.



STK code	Product code	Type	L (mm)	L1 (mm)	Installation	Weight (g)	Package (pcs)
19 142 87	VI05-0184	N/PE K2 5×5 (1x 0,75-16 / 6x 1,5-4 mm ²)	80	70	Screw/Push-in	81	10
19 142 88	VI05-0183	N/PE K2 5×5 (1x 0,75-16 / 13x 1,5-4 mm ²)	126	116	Screw/Push-in	97	8

Modular N/PE busbars

Connectors



STK code	Product code	Type	H (mm)	H1 (mm)	B (mm)	L (mm)	Weight (g)	Package (pcs)
19 142 19	VI06-0141	Cu 16 mm ² 5×5 (Pozidriv)	29,1	18	14,8	8,5	7	100
19 142 20	VI06-0137	Cu 0,75-6 mm ² 6×6 (Pozidriv)	26,7	17	14,8	5,9	5	500
19 142 21	VI06-0138	Cu 0,75-16 mm ² 6×6 (Pozidriv)	29,1	18	14,8	8,5	8	500
19 142 22	VI06-0139	Cu 2,5-35 mm ² 6×6 (M10×12 hex key DIN 913)	24,7	20,6	17,8	12,6	14	200
19 142 23	VI06-0140	Cu 2,5-35 mm ² 6×6 (Pozidriv)	26,4	20,6	17,8	12,6	14	200
19 142 24	VI06-0144	Cu 2,5-35 mm ² 5×5 (Pozidriv)	26,4	20,6	17,8	12,6	14	200
19 142 25	VI06-0142	Cu 0,75-6 mm ² 5×5 (Pozidriv)	26,7	17	14,8	5,9	5	100
19 142 26	VI06-0143	Cu 2,5-35 mm ² 5×5 (M10×12 hex key DIN 913)	26,4	20,6	17,8	12,6	14	100
19 143 56	VI06-0165	Cu 2,5-35 mm ² 5×5/3×12 (M10×12 hex key DIN 913)	29,5	20,6	17,8	12,6	14	100

End supports

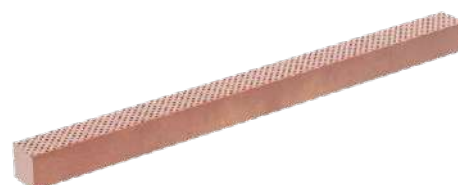
STK code	Product code	Type	Compatibility	Weight (g)	Package (pcs)
19 142 36	OD02-0724	K1/K2 3×10	VI05-0181	17	100
19 142 37	OD02-0725	K1/K2 5×5	VI05-0182	17	100
19 142 38	OD02-0727	K1/K2 6×6	VI05-0178	18	100



Busbars

Busbars are available in multiple lengths.

STK code	Product code	Type	Length (mm)	Weight (g)	Package (pcs)
19 142 44	KI05-0079	5×5	59	14	50
19 142 45	KI05-0080	5×5	77	17	40
19 142 46	KI05-0081	5×5	106	23	40
19 142 47	KI05-0082	5×5	166	37	30
19 142 48	KI05-0083	5×5	226	50	20
19 121 92	VI06-0112	5×5	1000	179	10
19 142 68	KI05-0087	6×6	1000	283	10
19 142 69	KI05-0088	3×10	1000	236	10
19 121 85	VI06-0113	3×12	1000	283	10

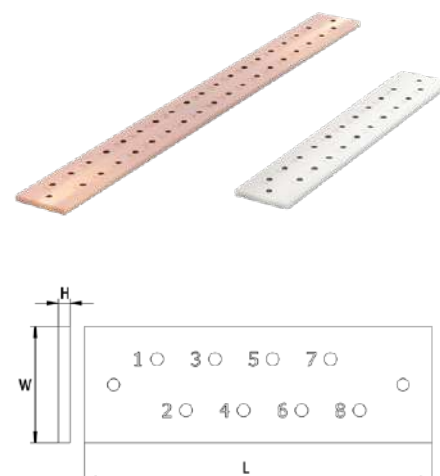


Grounding busbars



Grounding busbars are manufactured of pure unplated copper. Busbars can be used for safety grounding in different circumstances. Connections are numbered by stamping. Insulator and fastening sets are available separately.

STK code	Product code	Product name	L (mm)	W (mm)	H (mm)	Weight (g)	Package (pcs)
1912379	AE06-1711	Grounding busbar 10×100×1600, 60 holes 11 mm	1600	100	10	13800	Acc. to order
1912339	AE06-1680	Grounding busbar 10×100×1200, 44 holes 11 mm	1200	100	10	10420	Acc. to order
1912340	AE06-1681	Grounding busbar 10×100×1000, 36 holes 11 mm	1000	100	10	8690	Acc. to order
1912378	AE06-1710	Grounding busbar 10×100×750, 25 holes 11 mm	750	100	10	6500	Acc. to order
1912341	AE06-1682	Grounding busbar 10×100×600, 20 holes 11 mm	600	100	10	5220	Acc. to order
1912377	AE06-1709	Grounding busbar 10×100×450, 13 holes 11 mm	450	100	10	3900	Acc. to order
1912342	AE06-1683	Grounding busbar 10×100×300, 8 holes 11 mm	300	100	10	2620	Acc. to order
1912343	AE06-1684	Grounding busbar 10×80×1000, 36 holes 9 mm	1000	80	10	6970	Acc. to order
1912344	AE06-1685	Grounding busbar 10×80×600, 20 holes 9 mm	600	80	10	4189	Acc. to order
1912345	AE06-1686	Grounding busbar 10×80×300, 8 holes 9 mm	300	80	10	2100	Acc. to order
1912346	AE06-1687	Grounding busbar 10×50×1000, 18 holes 11 mm	1000	50	10	4300	Acc. to order
1912347	AE06-1688	Grounding busbar 10×50×600, 10 holes 11 mm	600	50	10	2580	Acc. to order
1912348	AE06-1689	Grounding busbar 10×50×300, 4 holes 11 mm	300	50	10	1300	Acc. to order
1912349	AE06-1690	Grounding busbar 10×50×200, 2 holes 11 mm	200	50	10	860	Acc. to order



Tin-plated grounding busbars

Tin-plated grounding busbars are suitable for special conditions where bare copper busbars cannot be used.

STK code	Product code	Product name	L (mm)	W (mm)	H (mm)	Weight (g)	Package (pcs)
1914328	AE06-1934	Tin-plated grounding busbar 10×100×1600, 60 holes 11 mm	1600	100	10	13800	Acc. to order
1914315	AE06-1935	Tin-plated grounding busbar 10×100×1200, 44 holes 11 mm	1200	100	10	10420	Acc. to order
1914316	AE06-1931	Tin-plated grounding busbar 10×100×1000, 36 holes 11 mm	1000	100	10	8690	Acc. to order
1914327	AE06-1936	Tin-plated grounding busbar 10×100×750, 25 holes 11 mm	750	100	10	6500	Acc. to order
1914317	AE06-1932	Tin-plated grounding busbar 10×100×600, 20 holes 11 mm	600	100	10	5220	Acc. to order
1914326	AE06-1937	Tin-plated grounding busbar 10×100×450, 13 holes 11 mm	450	100	10	3900	Acc. to order
1914318	AE06-1938	Tin-plated grounding busbar 10×100×300, 8 holes 11 mm	300	100	10	2620	Acc. to order
1914319	AE06-1939	Tin-plated grounding busbar 10×80×1000, 36 holes 9 mm	1000	80	10	6970	Acc. to order
1914320	AE06-1922	Tin-plated grounding busbar 10×80×600, 20 holes 9 mm	600	80	10	4189	Acc. to order
1914321	AE06-1940	Tin-plated grounding busbar 10×80×300, 8 holes 9 mm	300	80	10	2100	Acc. to order
1914322	AE06-1941	Tin-plated grounding busbar 10×50×1000, 18 holes 11 mm	1000	50	10	4300	Acc. to order
1914323	AE06-1942	Tin-plated grounding busbar 10×50×600, 10 holes 11 mm	600	50	10	2580	Acc. to order
1914324	AE06-1943	Tin-plated grounding busbar 10×50×300, 4 holes 11 mm	300	50	10	1300	Acc. to order
1914325	AE06-1944	Tin-plated grounding busbar 10×50×200, 2 holes 11 mm	200	50	10	860	Acc. to order

Insulator and fastening packages

Insulators are made of halogen free polyester. Fastening pieces are zinc-plated steel. Package includes two insulators, four DIN933 M10×20 bolts and four DIN125 M10 flat pressure washers. Fastening package includes 10 pcs of DIN933×30 screws, 20 pcs of DIN125 flat pressure washers and 10 pcs of DIN934 nuts. Accessory sizes of M8 and M10 available.

STK code	Product code	Product name	Weight (g)	Package (pcs)
19 123 54	AE08-0002	Insulator package for grounding busbars	349	Acc. to order
19 123 73	AE09-0003	Fastening package for grounding busbars M8	250	Acc. to order
19 123 74	AE09-0004	Fastening package for grounding busbars M10	463	Acc. to order



Cable terminals

Our cable terminals and accessories provide a wide range of products. The protection and sealing of the products are excellent to ensure product safety. The products are ready for extreme conditions, where good sealing is imperative.



Product documents:



IECEX/ATEX sealing plugs



IECEX/ATEX sealing plugs are used for sealing threaded holes in explosive environments. Nickel plated brass made sealing plugs are delivered with EPDM seal which ensures perfect sealing in extreme conditions. Sealing plugs are available from M12 to M75 threads.



Technical information

	CE 0537
Approvals	II 2 G Ex eb IIC Gb
	II 2 D Ex tb IIIC Db
Certificate number	VTT 15 ATEX 054X
	IECEX VTT 15.0017X
Materials	Nickel plated brass / EPDM
IP-classification	IP66
Temperature range	-40...+80 °C

STK code	Product code	Type	Weight (g)	Package (pcs)
17 106 49	VD07-0014	Nickel-plated brass sealing plug Ms M12×1,5 IECEX/ATEX	3	Acc. to order
17 106 50	VD07-0015	Nickel-plated brass sealing plug Ms M16×1,5 IECEX/ATEX	4	Acc. to order
17 106 51	VD07-0016	Nickel-plated brass sealing plug Ms M20×1,5 IECEX/ATEX	8	Acc. to order
17 106 52	VD07-0017	Nickel-plated brass sealing plug Ms M25×1,5 IECEX/ATEX	12	Acc. to order
17 106 53	VD07-0018	Nickel-plated brass sealing plug Ms M32×1,5 IECEX/ATEX	18	Acc. to order
17 106 54	VD07-0019	Nickel-plated brass sealing plug Ms M40×1,5 IECEX/ATEX	35	Acc. to order
17 106 55	VD07-0020	Nickel-plated brass sealing plug Ms M50×1,5 IECEX/ATEX	56	Acc. to order
17 106 57	VD07-0021	Nickel-plated brass sealing plug Ms M63×1,5 IECEX/ATEX	100	Acc. to order
17 106 58	VD07-0022	Nickel-plated brass sealing plug Ms M75×1,5 IECEX/ATEX	355	Acc. to order

Cable terminal boxes



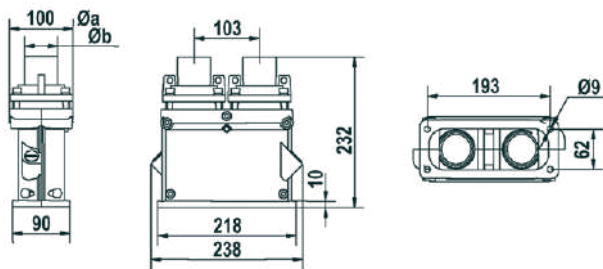
General: Cable terminal boxes consist of two base frames and are dismountable. Terminals' two rubber seals are designed to fit two different cable diameter ranges a) Ø 40-52 mm and b) Ø 48-60 mm. Accessories for cable terminal boxes: tension clamp, EMC kit, dismountable cover flange and acid-proof screws. The terminals can also be supplied with angled flanges (45°), which are used to change the angle of the incoming cables.

Use: Cable terminal boxes are used for cable input in standard-sized cable entry holes. A single box can accommodate one or two cables. The cable terminal boxes feature a modular design.

Materials: Cable terminal boxes are made of die-casted aluminium.

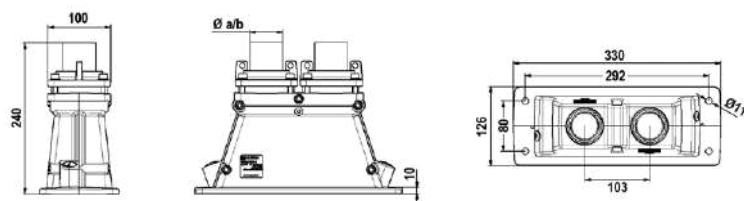
Standards: EN 60079-0, EN 60079-7, EN 60079-31

Cable terminal box C



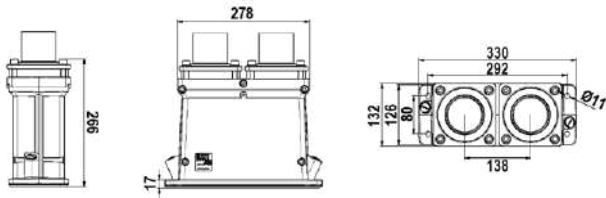
STK code	Product code	Type	Cable Ø range (mm)	Size of compatible cables (mm ²)	Flange	Number of cables	Weight (kg)	Package (pcs)	
52 023 10	VD03-0001	C/a	40 - 52	2 x (120 - 185)	C (FL-21)	1 - 2	3,3	Acc. to order	
53 023 11	VD03-0002	C/b	48 - 60	2 x (185 - 300)	C (FL-21)	1 - 2		Acc. to order	
17 106 37	VD03-0006	EMC kit for cable terminal boxes C and D							Acc. to order
17 106 59	VD03-0015	Protection plate for terminal boxes C and D							Acc. to order

Cable terminal box D



STK code	Product code	Type	Cable Ø range (mm)	Size of compatible cables (mm ²)	Flange	Number of cables	Weight (kg)	Package (pcs)	
53 023 12	VD03-0003	D/a	40 - 52	2 x (120 - 185)	D (FL-33)	1 - 2	3,8	Acc. to order	
53 023 13	VD03-0004	D/b	48 - 60	2 x (185 - 300)	D (FL-33)	1 - 2		Acc. to order	
17 106 37	VD03-0006	EMC kit for cable terminal boxes C and D							Acc. to order
17 106 59	VD03-0015	Protection plate for terminal boxes C and D							Acc. to order

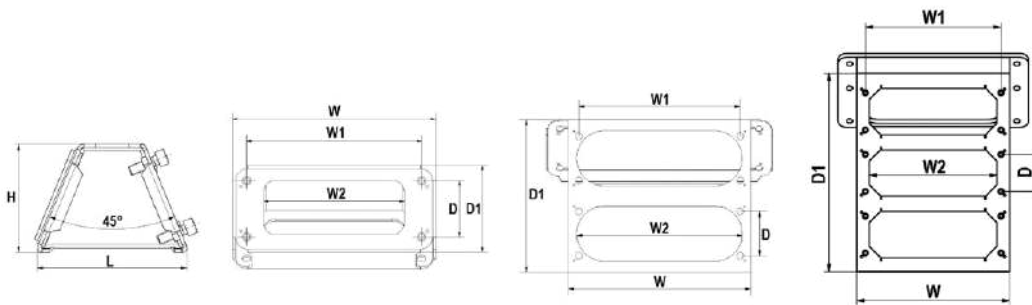
Cable terminal box D2



STK code	Product code	Type	Cable Ø range (mm)	Size of compatible cables (mm ²)	Flange	Number of cables	Weight (kg)	Package (pcs)
53 023 14	VD03-0005	D2	57 - 80	2 x (185 - 300)	D (FL-33)	1 - 2	7,0	Acc. to order
17 106 38	VD03-0007			EMC kit for cable terminal D2-box				Acc. to order
17 106 60	VD03-0014			Protection plate for terminal D2-box				Acc. to order
17 106 61	OD04-0162			Cable sealing K69 for 10 kV 3×185-300 sector shaped cable				Acc. to order
17 106 62	OD04-0163			Cable sealing K79 for 20 kV 3×150-240 sector shaped cable				Acc. to order

Angle flanges

Alters the angle of incoming cables by 45°. Angle flanges are compatible with Ouneva aluminium flanges and cable terminal boxes.



STK code	Product code	Product name	Flange size: input	Flange size: output	L (mm)	H (mm)	Weight (kg)	Package (pcs)
34 010 77	VD04-0001	Angle flange C-C	C	C	125	90	1,6	Acc. to order
34 010 78	VD04-0002	Angle flange D-D	D	D	168	128	3,1	Acc. to order
34 010 79	VD04-0003	Angle flange E-D	E	D	168	139	3,3	Acc. to order
34 010 80	VD04-0004	Angle flange E-2D	E	2 x D	251	278	6,8	Acc. to order
34 542 25	VD04-0005	Angle flange E-3D	E	3 x D	542	400	20,2	Acc. to order

Flange size:	D (mm)	D1 (mm)	W (mm)	W1 (mm)	W2 (mm)
C	62	96	224	193	155
D	80	137	342	292	250
2 x D	80	276	330	292	300
3 x D	80	423	330	292	274
E	100	150	410	360	320

Flanges for switchgears



General: All aluminium flanges have class IP67 protection. Supplied with ATEX approved neoprene gasket.

Use: Flanges fit into SFS 2528 -sized openings.

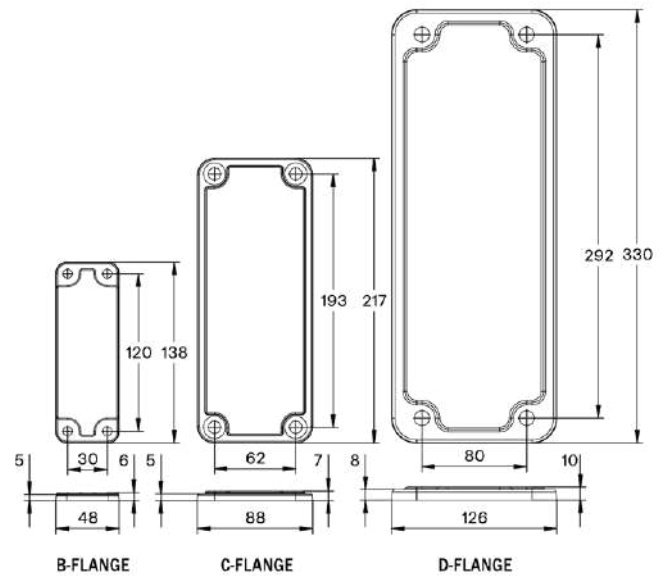
Materials: Flanges are made of die-casted aluminium.



Blind aluminium flanges

Blind aluminium flange, no threaded holes or openings.

STK code	Product code	Type / Size	Weight (g)	Package (pcs)
34 010 81	VD05-0060	Flange B	90	Acc. to order
34 010 82	VD05-0061	Flange C	288	Acc. to order
34 010 83	VD05-0062	Flange D	806	Acc. to order

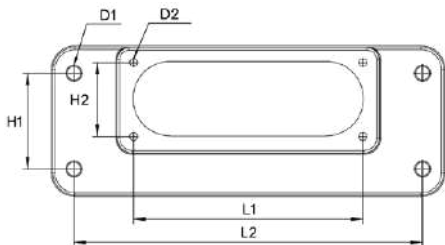


Aluminium flanges with threaded holes

Delivered with the specified threaded hole. Flanges are compatible with Ouneva sealing plugs, check out page 57. Counter nuts are not necessary during the installation of sealing plugs or cable glands.

STK code	Product code	Type / Size	Weight (g)	Package (pcs)
34 540 68	VD05-0075	Flange B 1xM40	72	Acc. to order
34 010 86	VD05-0067	Flange B 2xM40	54	Acc. to order
34 010 52	VD05-0043	Flange B 3xM20	74	Acc. to order
34 010 85	VD05-0066	Flange B 3xM32	55	Acc. to order
34 010 53	VD05-0044	Flange B 4xM25	56	Acc. to order
34 540 76	VD05-0045	Flange C 2xM40	252	Acc. to order
34 540 77	VD05-0069	Flange C 2xM50	231	Acc. to order
34 010 66	VD05-0070	Flange C 2xM63	198	Acc. to order
34 540 79	VD05-0046	Flange C 2xM63+2xM20	187	Acc. to order
34 010 63	VD05-0068	Flange C 3xM32	253	Acc. to order
34 010 64	VD05-0028	Flange C 3xM40	233	Acc. to order
34 540 81	VD05-0047	Flange C 3xM50+2xM20	192	Acc. to order
34 010 62	VD05-0048	Flange C 4xM20	266	Acc. to order
34 010 06	VD05-0077	Flange C 4xM32+3xM25	216	Acc. to order
34 010 04	VD05-0029	Flange C 7xM25+2xM20	217	Acc. to order
34 540 82	VD05-0078	Flange D 1xM75	724	Acc. to order
34 010 75	VD05-0051	Flange D 2xM50	733	Acc. to order
34 010 76	VD05-0071	Flange D 2xM63	690	Acc. to order
34 540 86	VD05-0053	Flange D 2xM75	642	Acc. to order
34 540 87	VD05-0054	Flange D 3xM63+2xM25	615	Acc. to order
34 540 89	VD05-0055	Flange D 4xM63+2xM20	563	Acc. to order

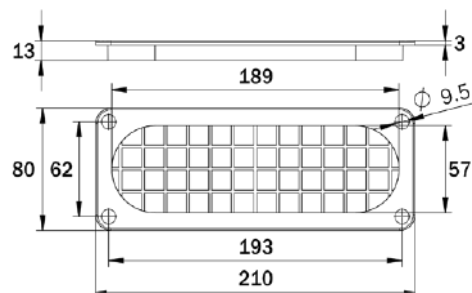
Reduction flanges



STK code	Product code	Type / size	D1 (mm)	D2 (mm)	H1 (mm)	H2 (mm)	L1 (mm)	L2 (mm)	Weight (g)	Package (pcs)
34 010 87	VD09-0001	Reduction flange E-D	15	11	80	100	292	360	1396	Acc. to order
34 010 88	VD09-0002	Reduction flange D-C	11,5	9,5	62	80	193	292	854	Acc. to order

Plastic flanges

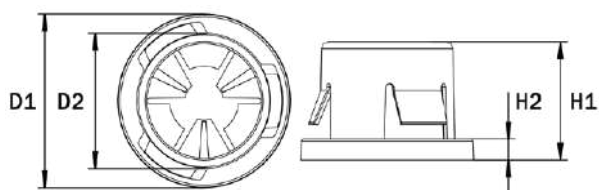
Blind plastic flanges are used inside switchgears for insulating purposes. Flanges are made from PPC.



STK code	Product code	Type / Size	Colour	Diameter mounting holes (mm)	Weight (g)	Package (pcs)
34 541 53	VD06-0001	Flange C	Grey	6	39	20
34 541 54	VD06-0002	Flange C	Grey	9,5	37	20
34 541 28	VD06-0023	Flange C	Black	9,5	37	20

Socket joints

Socket joints are used for cable entry wirings.



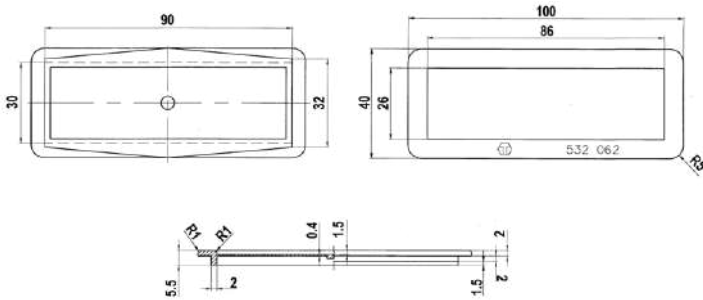
STK code	Product code	External diameter of cable (mm)	Total diameter - D1 (mm)	Diameter of installation hole - D2 (mm)	Thickness of mounting plate (mm)	Total height - H1 (mm)	H2 (mm)	Weight (g)	Package (pcs)
33 501 76	OD06-0016	8-13	25	20	0,7-2	17	3	1,5	150
33 501 77	OD06-0017	8-15	30	25	0,7-2	17,5	3	2,9	100

Cover plates



Cover plates for kWh-meters

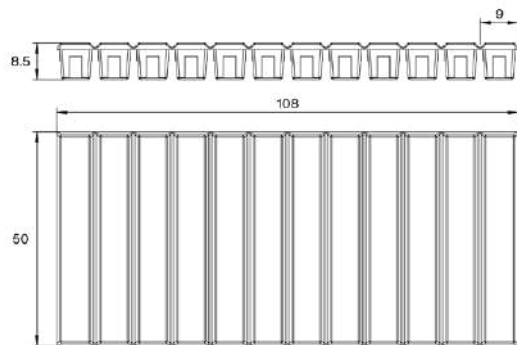
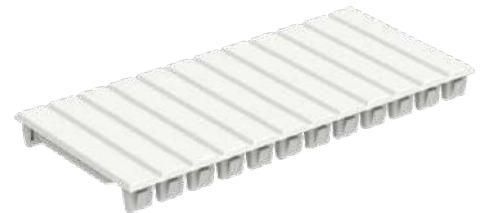
Cover plates are made of LDPE. Closed and open models available.



STK code	Product code	Type	Weight (g)	Package (pcs)
34 07 166	OD06-0008	Closed	50	100
34 07 168	OD06-0009	Open	50	100

Cover plates for DIN-sized openings

Cover plates are made of polycarbonate.



STK code	Product code	Tyyppi	Weight (g)	Package (pcs)
33 501 70	OD02-0030	Closed	12	100

Busbars and system equipment

Busbars and system accessories have been designed for different installations and distribution boards, where space is limited. If you can't find the busbar or connector for your needs, please contact our sales department – we offer the possibility of customized products.

Product documents:



Flexible busbars

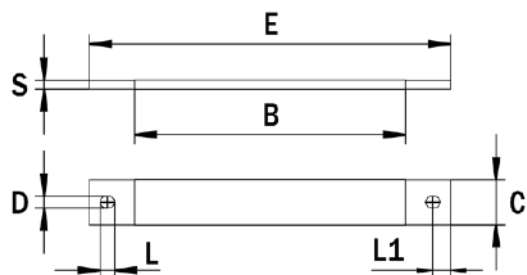
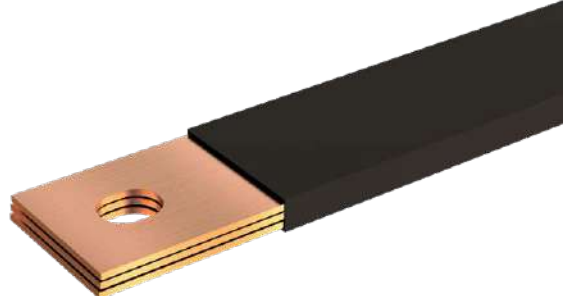


General: Flexible busbars conform to the EN-60439-1 standard. Because of extremely high flexibility and durability of the insulator, the smallest bending radius of the busbar is 3 * total thickness with bending angle of 180°. We also supply flexible busbars with special requirements for installation holes and other dimensions. Ask for more information from our sales!

Use: Busbars are insulated and designed for distribution boards and electrical installation, which require them to be efficient on space and easy to bend.

Materials: Busbar is made of unplated copper. Insulation is made of HFFR plastic.

Standards: EN 60439-1 and SFS handbook 154, section 7.8.2



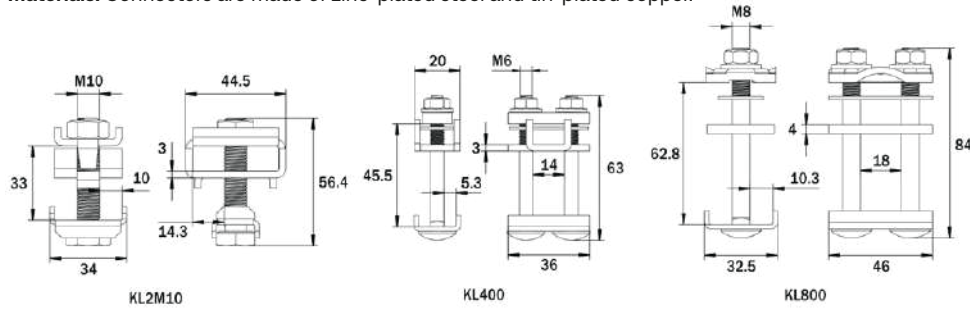
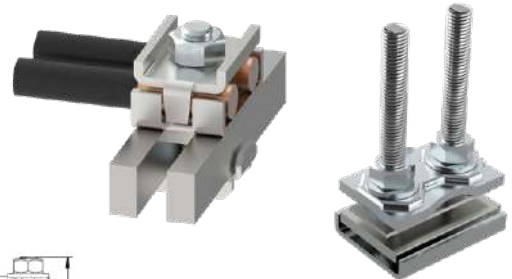
STK code	Product code	Product name	In (A)	Cross-sectional area (mm ²)	E (mm)	C (mm)	S (mm)	B (mm)	D / L (mm)	L1 (mm)	Weight (g)	Package (pcs)
34 540 04	VE01-0001	TVK 100A 1×24×400mm Cu	100	24	400	24	1	330	11 / 14	14	172	Acc. to order
34 540 02	VE01-0008	TVK 100A 1×24×600mm Cu	100	24	600	24	1	530	11 / 14	14	267	Acc. to order
34 540 00	VE01-0004	TVK 100A 1×24×2000mm Cu	100	24	2000	24	1	1930	11 / 14	14	933	Acc. to order
34 540 13	VE01-0019	TVK 160A 2×24×400mm Cu	160	48	400	24	2	330	11 / 14	14	261	Acc. to order
34 540 11	VE01-0021	TVK 160A 2×24×600mm Cu	160	48	600	24	2	530	11 / 14	14	401	Acc. to order
34 540 09	VE01-0015	TVK 160A 2×24×2000mm Cu	160	48	2000	24	2	1930	11 / 14	14	1379	Acc. to order
34 540 25	VE01-0042	TVK 250A 3×24×400mm Cu	250	72	400	24	3	330	11 / 14	14	350	Acc. to order
34 540 23	VE01-0044	TVK 250A 3×24×600mm Cu	250	72	600	24	3	530	11 / 14	14	534	Acc. to order
34 540 20	VE01-0125	TVK 250A 3×24×1000mm Cu	250	72	1000	24	3	930	11 / 14	14	903	Acc. to order
34 540 19	VE01-0024	TVK 250A 3×24×2000mm Cu	250	72	2000	24	3	1930	11 / 14	14	1825	Acc. to order
34 540 37	VE01-0030	TVK 400A 5×32×400mm Cu	400	160	400	32	5	300	13 / 16	20	682	Acc. to order
34 540 35	VE01-0032	TVK 400A 5×32×600mm Cu	400	160	600	32	5	500	13 / 16	20	1041	Acc. to order
34 540 32	VE01-0126	TVK 400A 5×32×1000mm Cu	400	160	1000	32	5	900	13 / 16	20	1759	Acc. to order
34 540 31	VE01-0047	TVK 400A 5×32×2000mm Cu	400	160	2000	32	5	1900	13 / 16	20	3554	Acc. to order
34 540 45	VE01-0037	TVK 550A 5×40×400mm Cu	550	200	400	40	5	300	13 / 16	20	846	Acc. to order
34 540 43	VE01-0039	TVK 550A 5×40×600mm Cu	550	200	600	40	5	500	13 / 16	20	1290	Acc. to order
34 540 41	VE01-0034	TVK 550A 5×40×2000mm Cu	550	200	2000	40	5	1900	13 / 16	20	4398	Acc. to order
34 540 55	VE01-0053	TVK 630A 6×40×400mm Cu	630	240	400	40	6	300	13 / 16	20	991	Acc. to order
34 540 53	VE01-0056	TVK 630A 6×40×600mm Cu	630	240	600	40	6	500	13 / 16	20	1509	Acc. to order
34 540 50	VE01-0061	TVK 630A 6×40×1000mm Cu	630	240	1000	40	6	900	13 / 16	20	2544	Acc. to order
34 540 49	VE01-0050	TVK 630A 6×40×2000mm Cu	630	240	2000	40	6	1900	13 / 16	20	5131	Acc. to order
34 540 60	VE01-0122	TVK 800A 10×40×1000mm Cu	800	400	1000	40	10	900	13 / 16	20	4008	Acc. to order
34 540 59	VE01-0123	TVK 800A 10×40×2000mm Cu	800	400	2000	40	10	1900	13 / 16	20	8062	Acc. to order
34 540 64	VE01-0085	TVK 1000A 11×50×1000mm Cu	1000	550	1000	50	11	900	13 / 16	20	5435	Acc. to order

Busbar system connectors



Use: Connectors are designed for busbar systems to be installed on their side. Material of the busbars can be copper, aluminium or copper plated aluminium. These connectors enable connecting copper cables, flexible busbars and other conductors to busbar systems. Matching support piece is needed if neutral (N) and protective earth busbar (PE) are combined. We also manufacture busbar connectors supplied with screws of custom length.

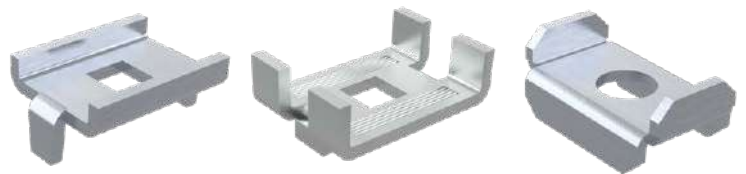
Materials: Connectors are made of zinc-plated steel and tin-plated copper.



STK code	Product code	Product name	Conductors max (mm ²)	Weight (g)	Package (pcs)
19 141 49	VE02-0009	KL2M10	150	143	100
19 141 89	VE02-0003	KL400	70	86	100
19 141 90	VE02-0004	KL800	185	222	50

Accessories

Components are similar to the KL2M10 connector. Gives possibility for the client to build connectors for their own requirements.



STK code	Product code	Product name	Type	Material	Weight (g)	Package (pcs)
19 141 86	VE02-0010	KL2M10 PP	Press plate	Zinc-plated steel	33	100
19 141 85	VE02-0011	KL2M10 LL	Connector plate	Tin-plated copper	42	100
19 141 84	VE02-0012	KL2M10 HP	Hinge plate	Zinc-plated steel	15	100

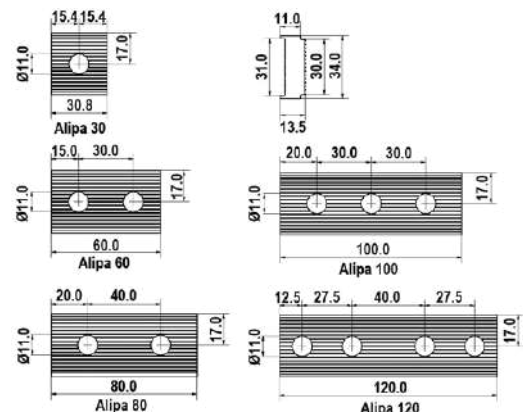
Aluminium connection rails

Use: Aluminium connection rails are made for connecting different kinds of busbars. Unplated connectors can be used for connecting aluminium busbars. Tin-plated busbar connectors are suitable for connecting aluminium and copper busbars.

Materials: Aluminum connecting rail are available unplated or tin-plated.



STK code	Product code	Product name	Material	In (A)	Weight (g)	Package (pcs)
19 122 07	VE06-0004	Alipa 30	Aluminium	630 A	28	100
19 122 08	VE06-0005	Alipa 60	Aluminium		56	50
19 122 09	VE06-0006	Alipa 80	Aluminium		75	50
19 122 10	VE06-0007	Alipa 100	Aluminium		94	50
19 122 11	VE06-0008	Alipa 120	Aluminium		111	25
19 122 13	VE06-0009	Alipa 30, tin-plated	Tin-plated aluminium		28	100
19 122 14	VE06-0010	Alipa 60, tin-plated	Tin-plated aluminium		56	50
19 122 15	VE06-0011	Alipa 80, tin-plated	Tin-plated aluminium		75	50
19 122 16	VE06-0012	Alipa 100, tin-plated	Tin-plated aluminium		94	50
19 122 17	VE06-0013	Alipa 120, tin-plated	Tin-plated aluminium		111	25



Overhead line accessories (AMKA-series)

Our overhead line accessories are designed for connecting and ending 0,4 kV low-voltage cables (AMKA bundle assembled aerial cable). The AMKA products are high-quality, easy to install and designed for Nordic climate conditions.



Product
documents:



Overhead line accessories (AMKA products)



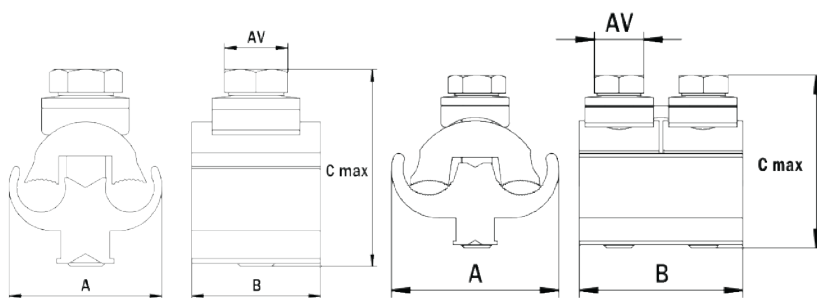
AMKA-products are designed for 0,4 kV overhead line systems. Nordic climate conditions and ease of use have been considered in the design.

Products are tested and approved to meet the IEC regulations.

Parallel groove clamps and busbar clamp

Use: Parallel groove clamps are used for connecting and branching of aerial and other aluminium conductors in applications where no mechanical load is existent. All contact surfaces of the clamps are pre-treated with contact grease, which makes installation easier. Clamp VF01-0003 is supplied with springs that make installation easier (clamp stays open if not tightened). Busbar clamps are used for connecting cables in devices especially in special conditions. They are suitable for connecting cables in transformer poles.

Materials: Clamps are made of aluminium and the steel bolts are hot-dip galvanized.



Parallel groove clamps

STK code	Product code	Type	Conductor (mm ²)	A (mm)	B (mm)	C (mm)	Insulating cover	Tightening torque	AV (mm)	Weight (g)	Package (pcs)
50 403 25	VF01-0001	Al/Al 16-50 mm ²	16 - 50	32	26.5	44	VF03-0001	22 Nm (16-50 mm ²)	13	50	200
50 403 27	VF01-0002	Al/Al 16-120 mm ²	16 - 120	44	43	53	VF03-0002	22 Nm (16-120 mm ²)	13	125	50
50 403 66	VF01-0003	Al/Al 16-120 mm ² with springs	16 - 120	44	43	53	VF03-0002	22 Nm (16-120 mm ²)	13	125	50

Busbar clamp

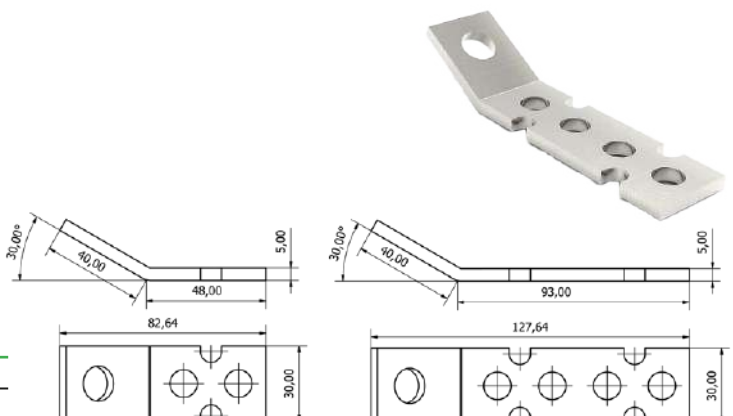
STK code	Product code	Type	Weight (g)	Package (pcs)
50 403 54	VF06-0005	AMKA busbar clamp Al/Al 16-120 mm ²	169	50

Transformer pole busbars

Use: Transformer pole busbars are intended for connecting aluminum or copper conductors to, for example, the low or high voltage terminals of transformers and surge protectors.

Materials: Transformer pole busbars are made of tin-plated copper.

STK code	Product code	Type	Weight (g)	Package (pcs)
50 403 52	VF06-0002	Pole busbar 93	144	50
50 403 50	VF06-0006	Pole busbar 48	96	50

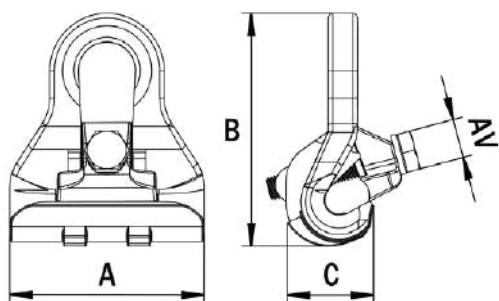


Overhead line accessories (AMKA products)

Suspension clamp

Use: Suspension clamp is used for suspension of wires in overhead lines for straight line sections and angles up to 90°.

Materials: The clamp is made of aluminium and steel parts are hot-dip galvanized. Clamp has a plastic cover part at the bottom that prevents wires from getting damaged.

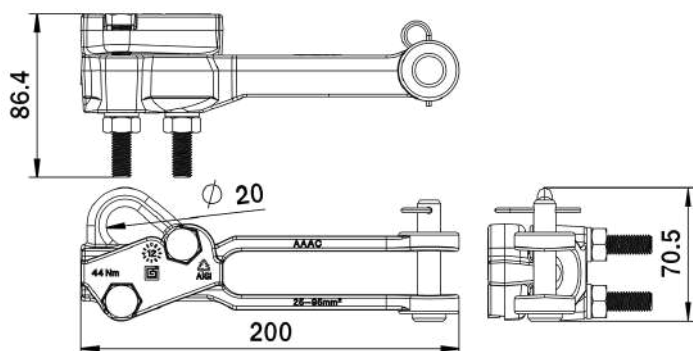


STK code	Product code	Type	A (mm)	B (mm)	C (mm)	AV (mm)	Tightening torque	Weight (g)	Package (pcs)
50 403 45	VF04-0001	Suspension clamp 25-95 mm ²	85	110	40	17	50 Nm (25-95 mm ²)	255	50

Dead-end clamp

Use: Dead-end clamp is used for ending overhead lines to poles or walls.

Materials: Clamp is made of aluminium and steel parts are hot-dip galvanized.



STK code	Product code	Type	Tightening torque	Weight (g)	Package (pcs)
50 403 47	VF05-0002	Dead-end clamp 25-95 mm ²	44 Nm (25-95 mm ²)	528	25

Branching cabinets and marking devices

Our branching cabinets are made of durable, galvanized steel and finished with a high-quality powder coating. We manufacture the cabinets in three different colours. They are available furnished or with just a mounting plate. Our easy to install and weatherproof marking accessories are ideal for durable and clear marking of underground cables, pipes, sewers, cabinets and stations.



Product documents:



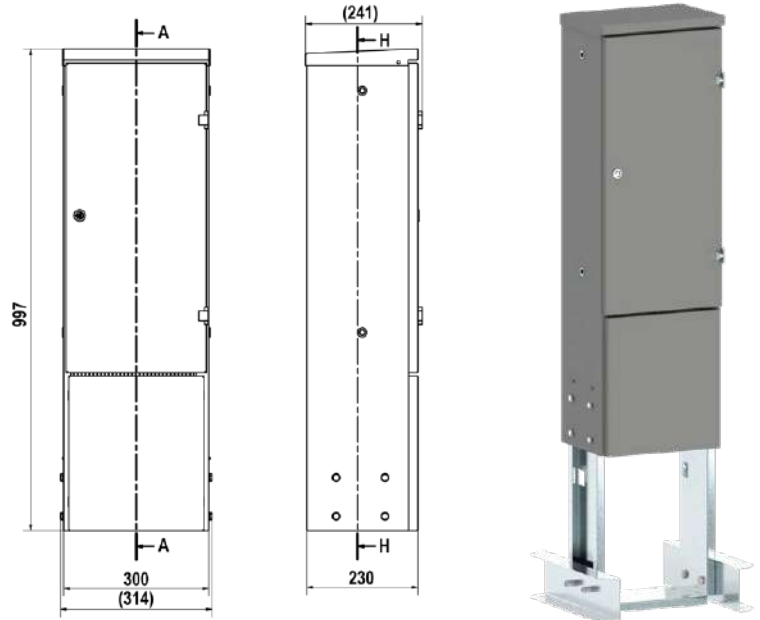
Branching cabinets



General: Branching cabinet includes adjustable chassis, hinged door with K10 -type lock, grounding cable and connectors. Three powder painted options available: RAL 7037, RAL 7008 or RAL 7024.

Materials: Cabinets are made of zinc-plated steel.

Standards: EN 61439-1/61439-5



STK code	Product code	Product name	Package (pcs)
5408008	AJ02-0595	Branching cabinet RAL7037 + Installation plate	Acc. to order
5408007	AJ02-0594	Branching cabinet RAL7008 + Installation plate	Acc. to order
5408045	AJ02-0799	Branching cabinet RAL7024 + Installation plate	Acc. to order
5408001	AJ02-0507	Branching cabinet RAL7037 OTL95	Acc. to order
5408002	AJ02-0521	Branching cabinet RAL7008 OTL95	Acc. to order
5408044	AJ02-0802	Branching cabinet RAL7024 OTL95	Acc. to order
5408005	AJ02-0535	Branching cabinet RAL7037 OTL150	Acc. to order
5408003	AJ02-0536	Branching cabinet RAL7008 OTL150	Acc. to order
5408046	AJ02-0800	Branching cabinet RAL7024 OTL150	Acc. to order
5408006	AJ02-0538	Branching cabinet RAL7037 OTL240	Acc. to order
5408004	AJ02-0539	Branching cabinet RAL7008 OTL240	Acc. to order
5408047	AJ02-0801	Branching cabinet RAL7024 OTL240	Acc. to order

Marking devices



Use: Marking devices are suitable for different kinds of marking purposes in nature, as well as in urban environments. The devices can be used for marking underground cables, pipes and sewers. Also the electric switching gears and pump stations can be easily marked with the devices.

Materials: Marking device body is made of flexible fibre glass and the reflector of 3M Scotchlite reflective tape. Yellow plastic head is made of PeHD thermoplastic polymer which has an excellent UV durability.

Switchgear marking devices

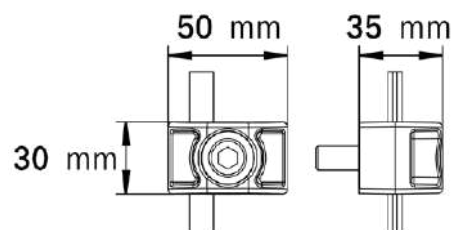
STK code	Product code	Product name	Weight (g)	Package (pcs)
64 360 12	VK07-0006	Switchgear marking device 1200 mm	337	100
64 360 13	VK07-0007	Switchgear marking device 1600 mm	371	100
64 360 24	VK07-0008	Switchgear marking device 2000 mm	406	100

Included accessories

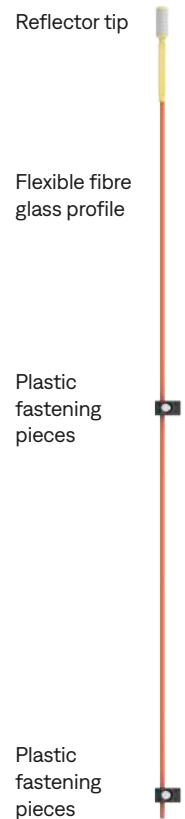
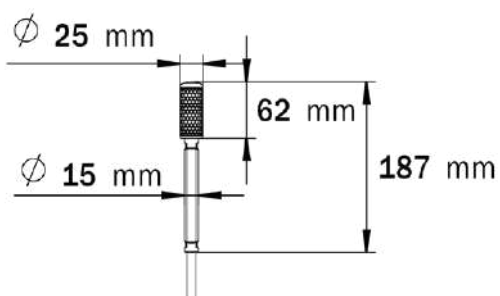
Plastic fastening pieces and screws for M8/M10 fastening.

Switchgear plastic fastening pieces

The marking device can be installed in two different positions.



Reflector tip



Marking devices



Cable marking devices

No more digging! Cable marking devices can be installed easily without any tools. Die-casted aluminium head makes the installation easy in challenging grounds and high quality glass fibre shaft will last in rough weather conditions. Marking plate is visible in long distance thanks to the powerful reflector. Marking plate can be customized. Ask more from Ouneva sales.

Reflector tip with marking plate

Flexible fibre glass profile

Die-casted anchor

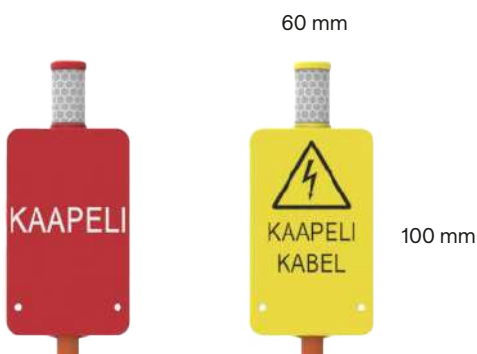


STK code	Product code	Product name	Marking plate colour	Weight (g)	Package (pcs)
64 360 29	VK07-0026	Cable marking device with die-casted anchor 1600 mm	Red	648	10/100
64 360 30	VK07-0027	Cable marking device with die-casted anchor 2000 mm	Red	750	10/100
64 360 31	VK07-0028	Cable marking device with die-casted anchor 1600 mm	Yellow	648	10/100
64 360 32	VK07-0029	Cable marking device with die-casted anchor 2000 mm	Yellow	750	10/100

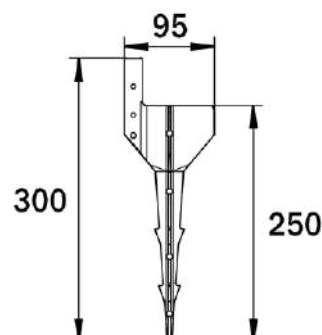
Included accessories

Plastic marking plate and die-casted aluminium anchor.

Marking plate



Die-casted anchor



Enclosure accessories

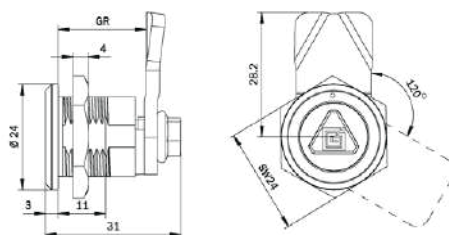
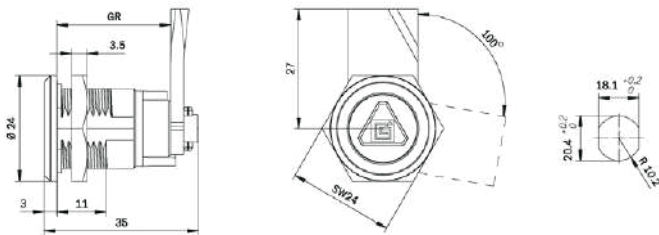
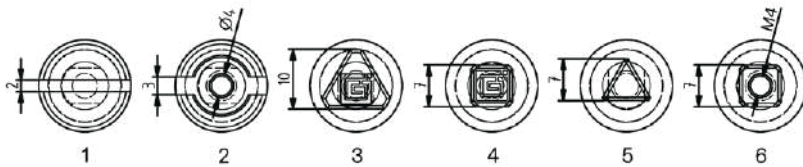
From our wide range of accessories, you will find latches, keys and hinges for different types of enclosures. They are made of die-cast zinc, which guarantees excellent material precision and durability.



Product documents:



Enclosure latches



Compression latch PG 13,5 Zn

Compression latch PG 13,5 is equipped with 5 mm closing range. Bodies of latches are made of zinc and plated with nickel. Cam is made of zinc-plated steel. Sealing is ensured with an O-ring.

STK code	Product code	Closing range (GR / mm)	Key insert	Weight (g)	Package (pcs)
34 541 16	VH01-0026	20-25	3	55	100
34 541 17	VH01-0027	25-30	3	55	100
34 541 18	VH01-0028	30-35	3	55	100
34 541 19	VH01-0029	35-40	3	60	100
34 541 20	VH01-0030	20-25	4	55	100
34 541 21	VH01-0031	25-30	4	55	100
34 541 22	VH01-0032	30-35	4	55	100
34 541 23	VH01-0033	35-40	4	60	100
34 541 24	VH01-0034	20-25	1	55	100
34 541 25	VH01-0035	25-30	1	55	100
34 541 26	VH01-0036	30-35	1	55	100
34 541 27	VH01-0037	35-40	1	60	100
34 541 28	VH01-0038	20-25	2	55	100
34 541 29	VH01-0039	25-30	2	55	100
34 541 30	VH01-0040	30-35	2	55	100
34 541 31	VH01-0041	35-40	2	60	100
34 541 32	VH01-0042	20-25	5	55	100
34 541 33	VH01-0043	25-30	5	55	100
34 541 34	VH01-0044	30-35	5	55	100
34 541 35	VH01-0045	35-40	5	60	100
34 541 49	VH01-0051	20-25	6	55	100
34 541 50	VH01-0052	25-30	6	55	100
34 541 51	VH01-0053	30-35	6	55	100
34 541 52	VH01-0054	35-40	6	60	100

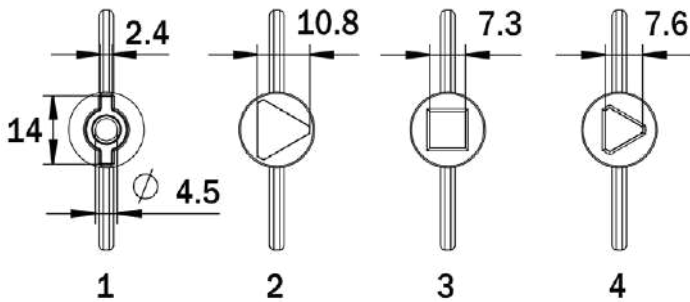
Turn cam latch PG 13,5 Zn

Turn cam latch PG 13,5 is available with several key inserts and closing ranges. Bodies of latches are made of zinc and plated with nickel. Cam is made of zinc-plated steel. Sealing is ensured with an O-ring.

STK code	Product code	Closing range (GR / mm)	Key insert	Weight (g)	Package (pcs)
34 540 91	VH01-0001	20	3	55	100
34 540 92	VH01-0002	22	3	55	100
34 540 93	VH01-0003	25	3	55	100
34 540 94	VH01-0004	27	3	55	100
34 540 95	VH01-0005	30	3	60	100
34 540 96	VH01-0006	20	4	55	100
34 540 97	VH01-0007	22	4	55	100
34 540 98	VH01-0008	25	4	55	100
34 540 99	VH01-0009	27	4	55	100
34 541 00	VH01-0010	30	4	60	100
34 541 01	VH01-0011	20	1	55	100
34 541 02	VH01-0012	22	1	55	100
34 541 03	VH01-0013	25	1	55	100
34 541 04	VH01-0014	27	1	55	100
34 541 05	VH01-0015	30	1	60	100
34 541 06	VH01-0016	20	2	55	100
34 541 07	VH01-0017	22	2	55	100
34 541 08	VH01-0018	25	2	55	100
34 541 09	VH01-0019	27	2	55	100
34 541 10	VH01-0020	30	2	60	100
34 541 11	VH01-0021	20	5	55	100
34 541 12	VH01-0022	22	5	55	100
34 541 13	VH01-0023	25	5	55	100
34 541 14	VH01-0024	27	5	55	100
34 541 15	VH01-0025	30	5	60	100
34 541 44	VH01-0046	20	6	55	100
34 541 45	VH01-0047	22	6	55	100
34 541 46	VH01-0048	25	6	55	100
34 541 47	VH01-0049	27	6	55	100
34 541 48	VH01-0050	30	6	60	100

Latch keys

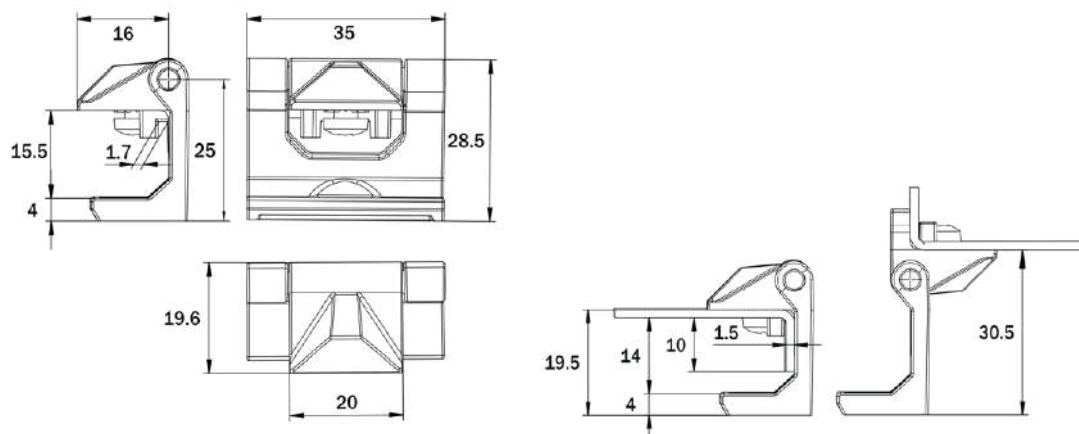
Latch keys are available with four different key inserts. Keys are made of nickel plated zinc.



STK code	Product code	Product name	Key insert	Weight (g)	Package (pcs)
34 541 36	VH04-0009	Latch key KL Zn	1	30	100
34 541 39	VH04-0010	Latch key K10 Zn	2	30	100
34 541 38	VH04-0012	Latch key N7 Zn	3	30	100
34 541 37	VH04-0011	Latch key K7 Zn	4	30	100

Enclosure hinge

Hinge has high mechanical strength and is easy to install. Allows the opening angle of 180 degrees for the enclosure door. Hinges are made of die-cast zinc and plated with nickel.



STK code	Product code	Product name	Weight (g)	Package (pcs)
34 541 43	VH03-0001	Enclosure hinge Zn	45	100



Teollisuustie 21,
82730 Tuupovaara, Finland

+358 400 179 750

ounevagroup.fi
ounevaproducts.fi

Product Catalog printed 1/2026