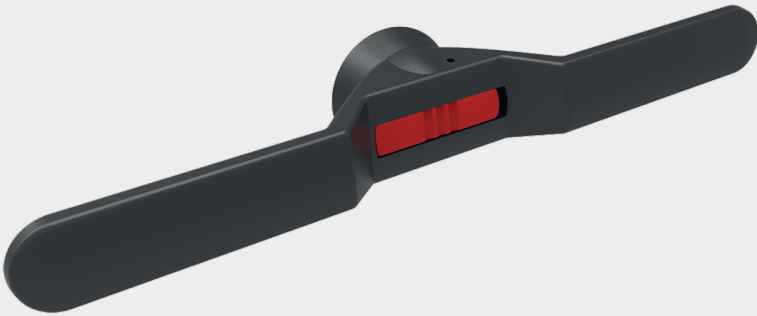


—  
INSTALLATION INSTRUCTION

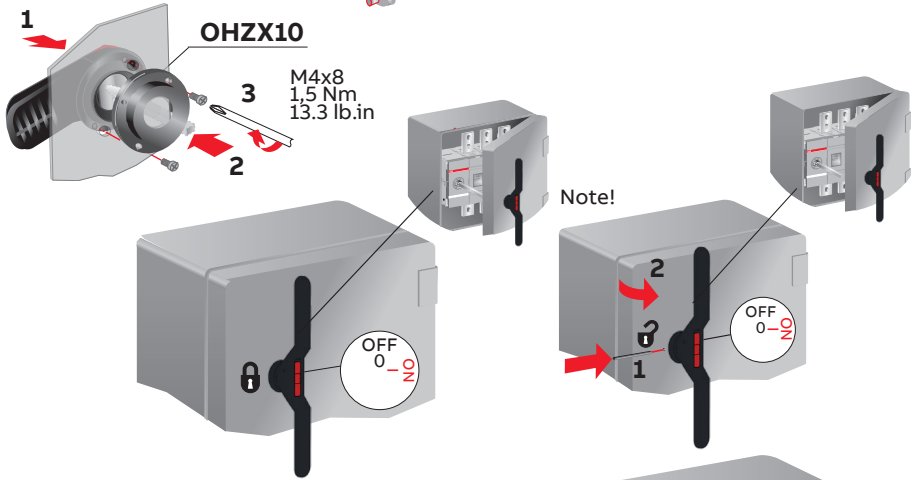
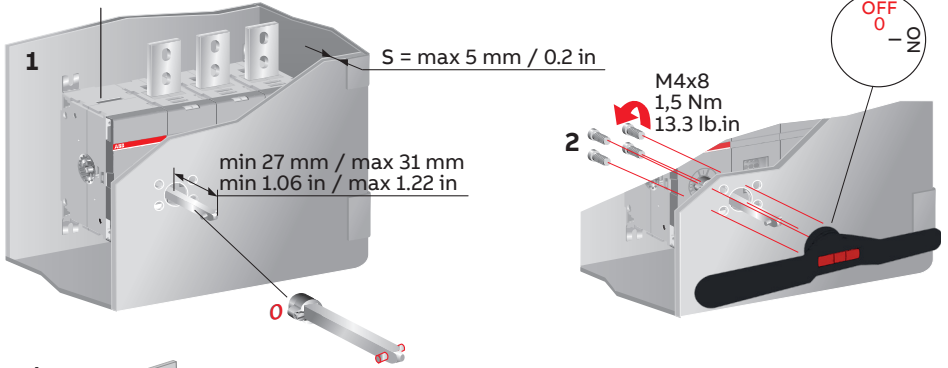
# Handles

## OH-200J12P



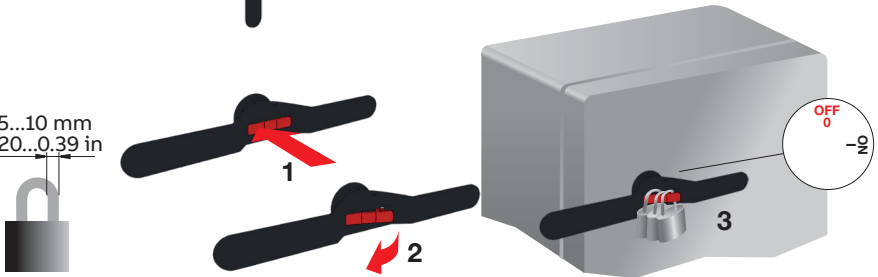
# OH-200J12P

## OT1000-2500



Ø5...10 mm  
0.20...0.39 in

AO-4015



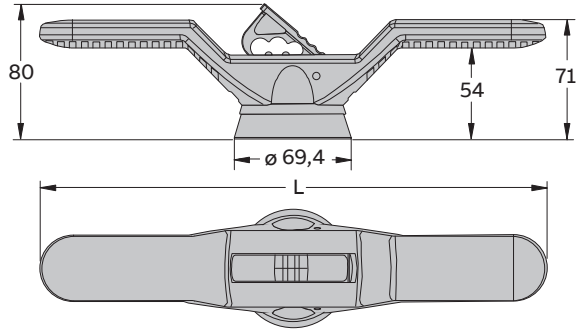
# Dimension drawing, holes and stamp

## OH-200J12P

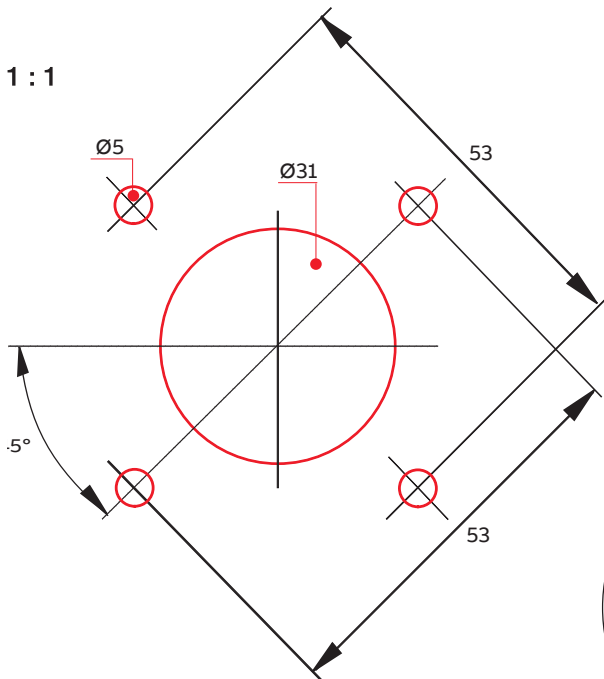


A04014

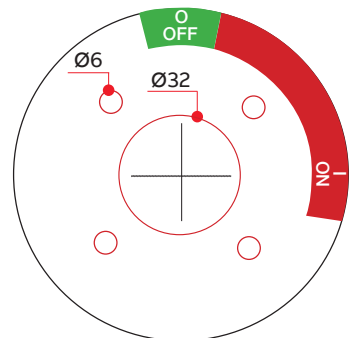
Laji / Type	L
OH_150L12P	300
OH_200L12P	400



### Drilling holes



### Stamp





---

## Contact us

### **ABB Oy**

Muottitie 2A 65320

Vaasa, Finland

**[abb.com/lowvoltage](http://abb.com/lowvoltage)**