

MEM Three-hole basin mixer with pop-up waste - Brushed Durabronz (23kt Gold)

MEM

20 713 782 Product version from 3/10/2014



- 165mm projection
- fixed spout
- rectangular, air-enriched flow
- height of mixer 277 mm
- height up to aerator 170 mm
- hole diameter spout 35 mm
- hole diameter valve 32 mm
- rosette 60 x 60 mm
- 2x screw-in M 10 x 1 pressure hose, leak-tested
- max. flow 8.3 l/min
- lead-free
- This product can help a building meet the requirements of Green Building Rating Systems, e.g. LEED®, BREEAM®, DGNB
- WRAS

Only suitable for basins with an overflow.

| | | |
|---|-------------------------------|---------------|
|  | Brushed Durabronz (23kt Gold) | 20 713 782-28 |
|  | Chrome | 20 713 782-00 |
|  | Brushed Platinum | 20 713 782-06 |
|  | Platinum | 20 713 782-08 |
|  | Dark Chrome | 20 713 782-19 |
|  | Brushed Light Gold (PVD) | 20 713 782-27 |
|  | Brushed Gold (PVD) | 20 713 782-37 |
|  | Brushed Dark Brass (PVD) | 20 713 782-39 |
|  | Brushed Bronze (PVD) | 20 713 782-42 |
|  | Brushed Dark Bronze (PVD) | 20 713 782-43 |
|  | Brushed Champagne (22kt Gold) | 20 713 782-46 |
|  | Champagne (22kt Gold) | 20 713 782-47 |
|  | Brushed Dark Platinum | 20 713 782-99 |

Recommended miscellaneous



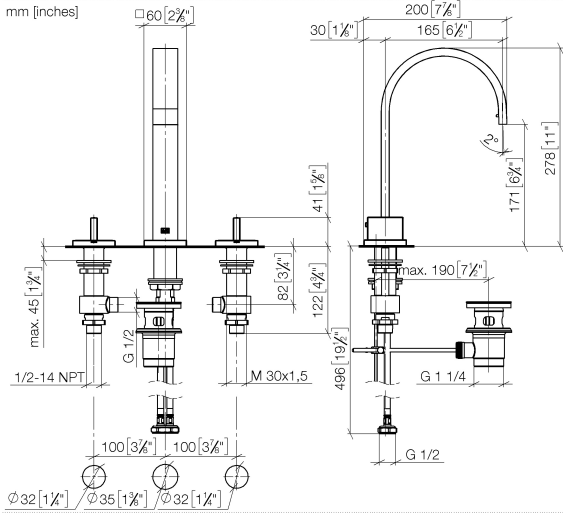
High pressure hoses -
 • 2x 3/8" x 1/2" x 500mm high pressure hose

12 506 970 90

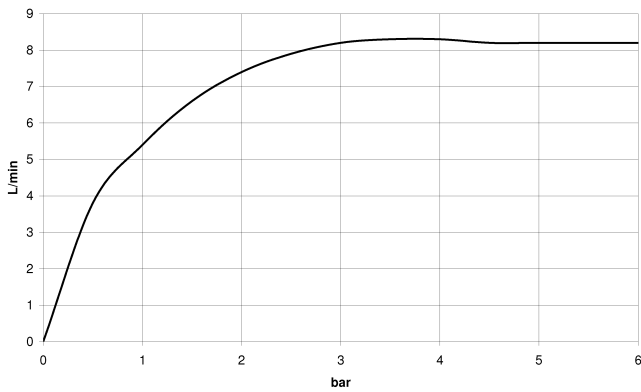
MEM Three-hole basin mixer with pop-up waste - Brushed Durabronz (23kt Gold)

MEM

20 713 782 Product version from 3/10/2014



Flow rate chart



Codes & Standards

| | | | |
|------------------------|-----------------------------|--------------------------|------------|
| DIN 4109 | EN 200 | Executive Order no. 1007 | ISO 3822 |
| Scottish Water Byelaws | UK Water Supply Regulations | Ü-Zeichen | VA-Zeichen |



MEM Three-hole basin mixer with pop-up waste - Brushed Durabross (23kt Gold)

MEM

20 713 782 Product version from 3/10/2014

Certificates and sustainability

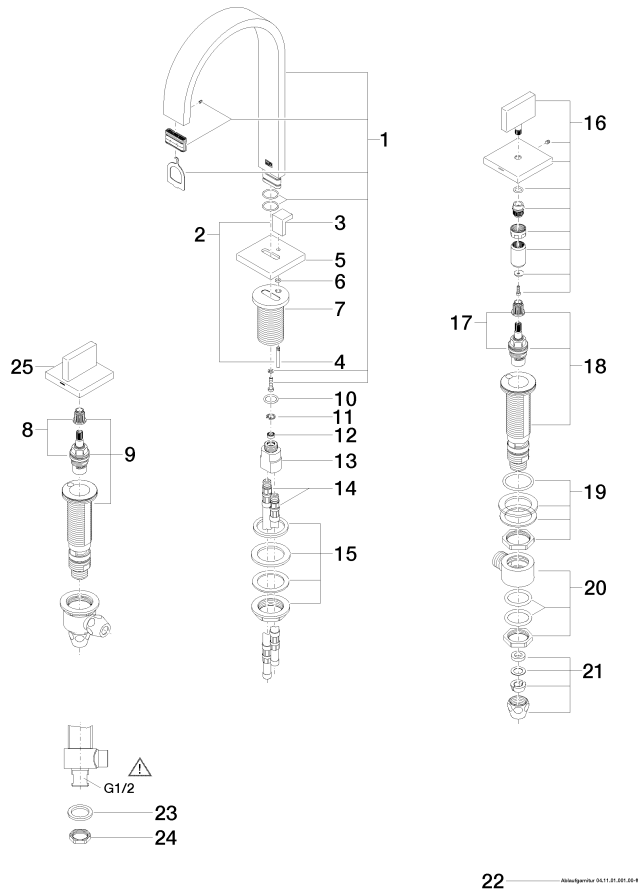
WRAS_2306

LGA_18

GDV_0400

ETA_18

EPD-DOR-20230287
-IBA1-EN
Environmental.prod
uct-declarat



MEM Three-hole basin mixer with pop-up waste - Brushed Durabross (23kt Gold)

MEM

20 713 782 Product version from 3/10/2014

Spare parts list

| No. | Item Number | Name | Quantity used | Delivery time |
|-----|--------------------|---|---------------|---------------|
| 3 | 09 20 78 030-28 | Pull button 18,5 x 24 x 18 mm - Brushed Durabross (23kt Gold) | 1.00 | 40 |
| 23 | 09 30 11 059 90 | Disc - | 2.00 | 14 |
| 1 | 90 28 22 158 00-28 | Spout 165 x 35 x 11 x 269 mm - Brushed Durabross (23kt Gold) | 1.00 | 40 |
| 11 | 09 16 01 016 90 | Ring Retaining ring Ø 10 x 1 mm - | 1.00 | 14 |
| 17 | 90 90 03 153 00 90 | Head part clockwise closing extended, 7mm 1/2" - | 1.00 | 14 |
| 6 | 09 14 10 166 90 | O-Ring NBR 70 4,1 x 1,6 mm - | 1.00 | 14 |
| 5 | 09 27 78 032-28 | Rosette for washstand deck-mounted spout with pop-up waste 60 x 60 x 9 mm - Brushed Durabross (23kt Gold) | 1.00 | 40 |
| 7 | 09 11 10 054 10 90 | Connection Ø 45 x 65 mm - | 1.00 | 14 |
| 22 | 90 11 01 001 00-28 | Basin Waste - Brushed Durabross (23kt Gold) | 1.00 | 40 |
| 4 | 09 31 09 080-28 | Pull rod for pop-up waste Ø 4 x 400 mm - Brushed Durabross (23kt Gold) | 1.00 | 40 |
| 19 | 04 23 10 032 78 90 | Mounting with seals M30 x 1,5 - | 2.00 | 14 |
| 2 | 04 20 78 030 80-28 | Pull rod for pop-up waste with button 18 x 83 x 18 mm - Brushed Durabross (23kt Gold) | 1.00 | 40 |
| 12 | 09 23 01 052 90 | Flow limiter yellow 8,3 l/min. - | 1.00 | 14 |
| 16 | 90 20 78 002 04-28 | Handle for side valve Cold 60 x 75 x 60 mm - Brushed Durabross (23kt Gold) | 1.00 | 40 |
| 25 | 90 20 78 002 05-28 | Handle for side valve Hot 60 x 75 x 60 mm - Brushed Durabross (23kt Gold) | 1.00 | 40 |
| 24 | 09 23 10 012 90 | Mounting Nut SW 24 1/2" - | 2.00 | 14 |
| 20 | 04 17 11 023 10 90 | Connection Distributor, complete 1/2" - | 2.00 | 14 |
| 8 | 90 90 03 152 00 90 | Head part anti-clockwise closing extended, 7mm 1/2" - | 1.00 | 14 |
| 18 | 04 17 11 058 53 90 | Side piece clockwise closing 1/2" - | 1.00 | 14 |
| 21 | 90 23 30 040 00-28 | threaded connector | 4.00 | 40 |
| 10 | 09 14 10 130 90 | O-Ring EPDM 70 14,0 x 2,00 mm - | 1.00 | 14 |
| 15 | 04 23 10 009 01 90 | Mounting with seals M32 x 1,5 - | 1.00 | 14 |
| 9 | 04 17 11 058 52 90 | Side piece 1/2" - | 1.00 | 14 |
| 13 | 09 11 10 055 10 90 | Connection 19 x 35 x 26 mm - | 1.00 | 14 |
| 14 | 04 30 04 019 00 90 | High pressure hose with sleeve nut M10x1 x 1/2" x 420 mm - | 2.00 | 14 |