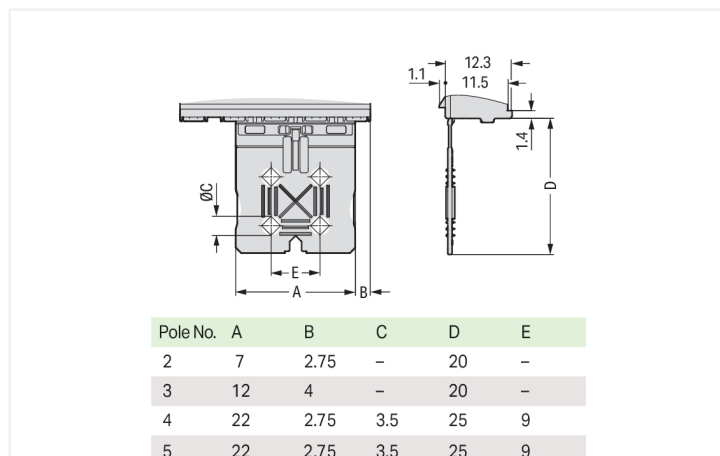


# Data Sheet | Item Number: 2092-3600

Gripping plate; for female and male connectors; 1 part; Pin spacing 7.5 mm; 2-pole; light gray

<https://www.wago.com/2092-3600>



Color: ■ light gray

Similar to illustration

Dimensions in mm

## Physical data

|             |                       |
|-------------|-----------------------|
| Pin spacing | 7.5 mm / 0.295 inches |
| Width       | 7 mm                  |

## Material data

|                      |  |
|----------------------|--|
| Note (material data) | <a href="#">Information on material specifications can be found here</a> |
| Color                | light gray   |
| Fire load            | 0.004 MJ   |
| Weight               | 0.1 g  |

## Commercial data

|                       |                         |
|-----------------------|-------------------------|
| Product Group         | 26 (picoMAX Connectors) |
| PU (SPU)              | 100 (25) pcs            |
| Packaging type        | Box                     |
| Country of origin     | DE                      |
| GTIN                  | 4050821166016           |
| Customs tariff number | 85389099990             |

## Product Classification

|             |                      |
|-------------|----------------------|
| UNSPSC      | 39121409             |
| eCl@ss 10.0 | 27-14-11-92          |
| eCl@ss 9.0  | 27-14-11-92          |
| ETIM 9.0    | EC002848             |
| ETIM 10.0   | EC002848             |
| ECCN        | NO US CLASSIFICATION |

## Environmental Product Compliance

RoHS Compliance Status

Compliant, No Exemption

## Downloads

### Environmental Product Compliance

#### Compliance Search

Environmental Product  
Compliance 2092-3600



## Documentation

### Additional Information

Technical Section

03.04.2019

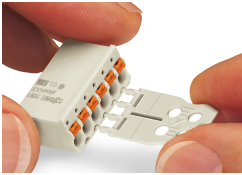
pdf

2027.26 KB



## Installation Notes

### Strain relief



Gripping plates are suitable for factory and field assembly.