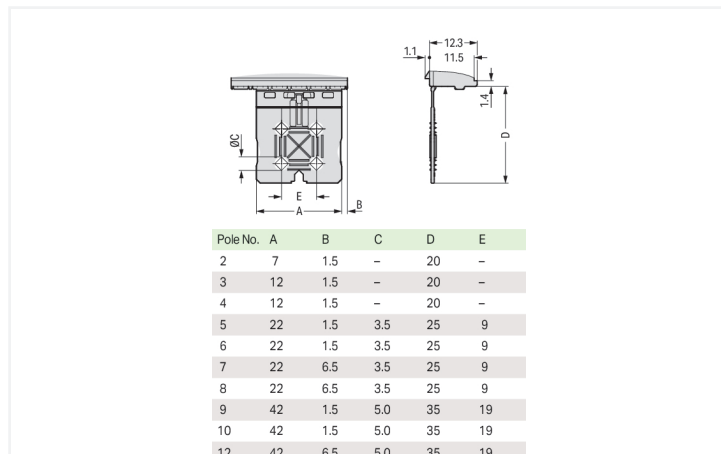


# Data Sheet | Item Number: 2092-1600

Gripping plate; for female and male connectors; 1 part; Pin spacing 5 mm; 2-pole; light gray

<https://www.wago.com/2092-1600>



Color: ■ light gray

Similar to illustration

Dimensions in mm

## Physical data

Pin spacing	5 mm / 0.197 inches
Width	7 mm

## Material data

Note (material data)	<a href="#">Information on material specifications can be found here</a>
Color	light gray
Fire load	0.004 MJ
Weight	0.1 g

## Commercial data

Product Group	26 (picoMAX Connectors)
PU (SPU)	100 (25) pcs
Packaging type	Box
Country of origin	DE
GTIN	4050821164302
Customs tariff number	85389099990

## Product Classification

UNSPSC	39121409
eCl@ss 10.0	27-14-11-92
eCl@ss 9.0	27-14-11-92
ETIM 9.0	EC002848
ETIM 10.0	EC002848
ECCN	NO US CLASSIFICATION

### Environmental Product Compliance

RoHS Compliance Status

Compliant, No Exemption

### Downloads

#### Environmental Product Compliance

##### Compliance Search

Environmental Product  
Compliance 2092-1600



### Documentation

#### Additional Information

Technical Section

03.04.2019

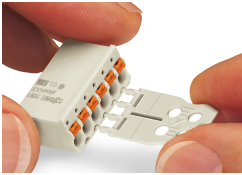
pdf

2027.26 KB



### Installation Notes

#### Strain relief



Gripping plates are suitable for factory and field assembly.