

MEM Bath shower set for bath rim or tile edge installation - Chrome

MEM

27 532 782 Product version from 3/10/2014



- 220mm projection
- spout: rectangular normal flow
- max. flow 27.3 l/min at 3 bar flow pressure
- Hand shower: COMPACT RAIN, max. flow rate 6.8 l/min (at 3 bar)
- complete hand shower set with anti-scale system
- automatic bath/shower diverter
- height of mixer 300 mm
- height up to aerator 170 mm
- hole diameter valve 32 mm
- hole diameter spout 32 mm
- hole diameter for complete hand shower set 32 mm
- rosette for spout 60 x 60mm
- rosette for complete hand shower set 60 x 60mm
- rosette for deck valve 60 x 60mm
- metal shower hose 1750mm with integrated anti-twist protection
- WRAS

Intrinsic protection against back flow.

	Chrome	27 532 782-00
	Brushed Platinum	27 532 782-06
	Platinum	27 532 782-08
	Dark Chrome	27 532 782-19
	Brushed Light Gold (PVD)	27 532 782-27
	Brushed Durabrass (23kt Gold)	27 532 782-28
	Brushed Dark Brass (PVD)	27 532 782-39
	Brushed Bronze (PVD)	27 532 782-42
	Brushed Dark Bronze (PVD)	27 532 782-43
	Brushed Champagne (22kt Gold)	27 532 782-46
	Champagne (22kt Gold)	27 532 782-47
	Brushed Dark Platinum	27 532 782-99

Recommended miscellaneous



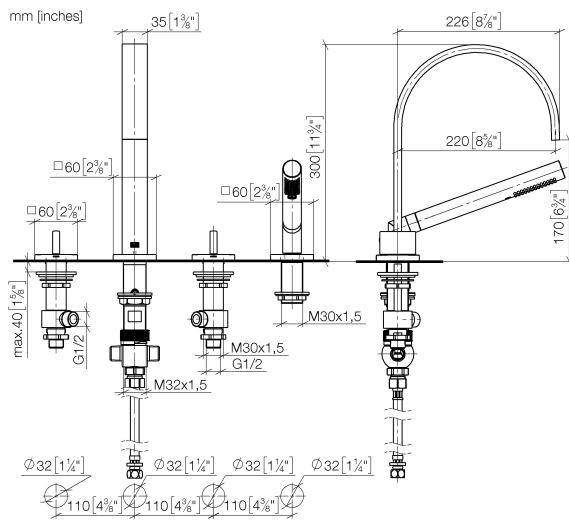
Perfecto installation kit - 12 614 970 90

Recommended miscellaneous

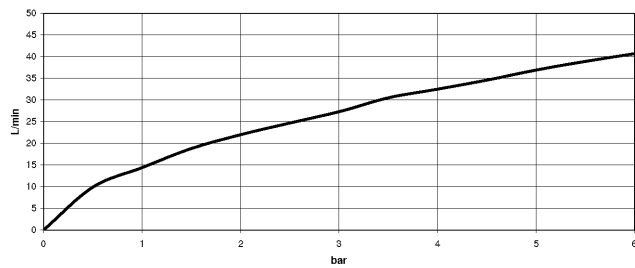


Decorative caps for Perfecto - Chrome 12 801 970-00
• 1 pair

27 532 782 Product version from 3/10/2014



Flow rate chart



Codes & Standards

ASME A112.18.1	cUPC	DIN 4109	EN 1717
ISO 3822	Scottish Water Byelaws	UK Water Supply Regulations	Ü-Zeichen



MEM Bath shower set for bath rim or tile edge installation - Chrome

MEM

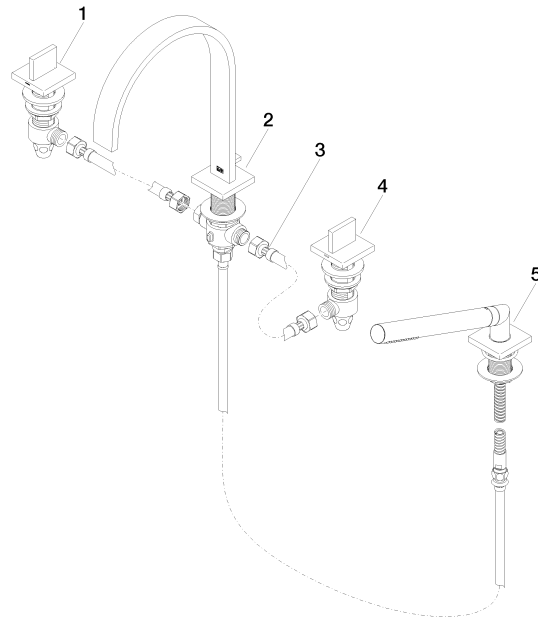
27 532 782 Product version from 3/10/2014

Certificates and sustainability

IAPMO_4976	WRAS_2306	LGA_9	Belgaqua_21-026-2	EPD-DOR-20230287 -IBA1-EN Environmental.prod uct-declarat
------------	-----------	-------	-------------------	--

Belgaqua_25-341-2

27 532 782 Product version from 3/10/2014



Spare parts list

No.	Item Number	Name	Quantity used	Delivery time
4	20 000 782-00	MEM Deck valve clockwise closing cold - Chrome	1.00	20
3	12 502 970 90	High pressure hose 1/2" x 1/2" x 400 mm -	1.00	14
1	20 000 783-00	MEM Deck valve anti-clockwise closing hot - Chrome	1.00	20
5	27 702 980-00	Hand shower set for bath rim or tile edge installation - Chrome	1.00	20
2	90 28 22 268 00-00	Bath spout with diverter for deck mounting - Chrome	1.00	20