

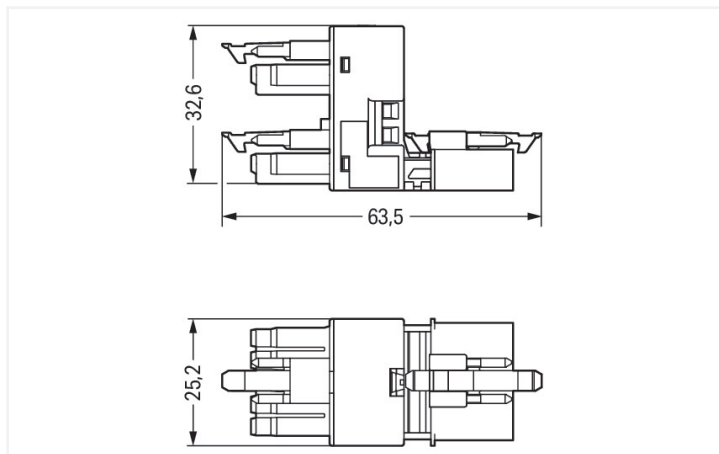
Data Sheet | Item Number: 890-980

h-distribution connector; 5-pole; Cod. A; 1 input; 2 outputs; outputs on one side; 3 locking levers; for flying leads; white

<https://www.wago.com/890-980>



Color: ■ white



Dimensions in mm

Distribution connector WINSTA® MINI 5-pole

For power and signal transmission: The WINSTA® MINI distribution connector with locking latch. WAGO pluggable installation connectors are used when requirements repeat or are planned on a specific grid, for example for installing grid lighting or flush-mount lighting. The coding options reduce installation errors, allowing fast, maintenance-free wiring of all components. The WINSTA® MINI pluggable installation connector with A coding in white or black is usually used for general mains applications in power distribution. WINSTA® MINI satisfies the demand for miniaturisation. Our smallest pluggable connection system is primarily suited for lights, for example, since due to LED technology, these offer less and less space for the connection technology.

WINSTA® MINI solutions for your electrical installation – protected against mismatching and maintenance-free

The WINSTA® Pluggable Connection System is perfectly tailored to the strict requirements of building installation. It makes electrical installation pluggable, and therefore faster, more reliable, and error-free. Use of this pre-assembled system reduces assembly times and installation errors at the construction site. Now you can also cut installation costs without compromising safety and quality: with protection type IP20 eliminates the need for servicing and prevents unnecessary downtime.

- effective protection against mismatching
- consistent IP40 protection
- with A coding for a large number of applications
- custom-engineered solutions
- convenient installation and commissioning

Electrical data

Ratings per	IEC/EN 60664-1		
Overvoltage category	III	III	II
Pollution degree	3	2	2
Nominal voltage	400 V	-	-
Rated impulse withstand voltage	6 kV	-	-
Rated current	13 A	-	-

Approvals per	UL 1977
Rated voltage	600 V
Rated current	12 A

General information

Note on contact resistance	approx. 1 mΩ of contact resistance approx. 0.25 mΩ contact transition plug/ socket
----------------------------	--

Connection Data

Total number of potentials	5	Connection 1	
		Pole number	5

Physical data

Pin spacing	4.4 mm / 0.173 inches
Width	25.2 mm / 0.992 inches
Height	32.65 mm / 1.285 inches
Depth	63.5 mm / 2.5 inches

Mechanical data

Use	General mains applications
Coding	A
Variable coding	No
Marking	N ⊕ 1 2 3
Potential marking	N ⊕ 1 2 3
Mating force of a plug-in connection	Approx. 20 ... 70 N (depending on pole number)
Retention force of a plug-in connection	When locked: > 80 N
Unmating force of a plug-in connection	Unlocked: approx. 20 ... 70 N (depending on pole number)
Number of mating cycles	200, without resistive load
Type of distribution box	h-distribution connector, outputs at one end
Protection type	IP20; IP40 when mated
Suitable	for flying leads

Plug-in connection

Mismating protection	Yes
Note on mismating protection	All WINSTA® components are 100% protected against mismating when: a.) plugging different numbers of poles b.) plugging while rotated 180 c.) plugging while laterally staggered d.) plugging one pole
Locking lever	Yes
Locking of plug-in connection	Locking lever
Note on locking system	All connectors for mounted installations (snap-in versions for lighting fixtures or devices, all types of PCB and distribution connectors) are factory-equipped with locking levers to ensure plugs and sockets are securely locked. Additional locking levers are only required for flying leads (plug/socket).
Number of locking levers	3

Material data

Note (material data)	Information on material specifications can be found here
Color	white
Material group	I
Insulation material (main housing)	Polyamide (PA66)
Flammability class per UL94	V0
Contact material	Copper or copper alloy; surface-treated
Contact Plating	Tin
Fire load	0.381 MJ
Weight	23.4 g

Environmental requirements

Processing temperature	-5 ... +40 °C
Continuous operating temperature	-35 ... +85 °C
Note on continuous operating temperature	Insulating parts for temperatures ≤ 105 °C

Commercial data

Product Group	20 (Winsta)
PU (SPU)	50 pcs
Packaging type	Box
Country of origin	DE
GTIN	4050821255147
Customs tariff number	85366990990

Product Classification

UNSPSC	39121406
eCl@ss 10.0	27-44-06-03
eCl@ss 9.0	27-44-06-03
ETIM 9.0	EC002567
ETIM 10.0	EC002567
ECCN	NO US CLASSIFICATION

Environmental Product Compliance

RoHS Compliance Status	Compliant, No Exemption
------------------------	-------------------------

Approvals / Certificates

General approvals



Approval	Standard	Certificate Name
CCA DEKRA Certification B.V.	EN 61535	71-123231
CCA DEKRA Certification B.V.	IEC 61535	NL-85020
cURus Underwriters Laboratories Inc.	UL 1977	E45171

Declarations of conformity and manufacturer's declarations

Approval	Standard	Certificate Name
EU-Declaration of Confor- mity WAGO GmbH & Co. KG	-	-
UK-Declaration of Confor- mity WAGO GmbH & Co. KG	-	-

Approvals for marine applications



Approval	Standard	Certificate Name
ABS American Bureau of Ship- ping	Steel Vessel Rules	24-0095973-PDA
DNV GL Det Norske Veritas, Ger- manischer Lloyd	-	TAE00001Z6
PRS Polski Rejestr Statków	-	TE/1096/880590/23

Downloads

Environmental Product Compliance

Compliance Search
Environmental Product Compliance 890-980

Documentation

Bid Text			
890-980	01.12.2014	doc 22.50 KB	
890-980	19.02.2019	xml 2.85 KB	

CAD/CAE-Data

CAD data
2D/3D Models 890-980

CAE data
WSCAD Universe 890-980
ZUKEN Portal 890-980

1 Compatible Products

1.1 System counterpart

1.1.1 Cable assembly



Item No.: 891-8995/206-102
pre-assembled connecting cable; Eca;
Plug/open-ended; 5-pole; Cod. A; H05VV-
F 5G 1.5 mm²; 1 m; 1,50 mm²; white

Item No.: 891-8995/106-102
pre-assembled connecting cable; Eca;
Socket/open-ended; 5-pole; Cod. A;
H05VV-F 5G 1.5 mm²; 1 m; 1,50 mm²;
white

Item No.: 891-8995/006-102
pre-assembled interconnecting cable;
Eca; Socket/plug; 5-pole; Cod. A; H05VV-
F 5G 1.5 mm²; 1 m; 1,50 mm²; white

1.1.2 Female connector/socket



Item No.: 890-225

Socket; 5-pole; Cod. A; 1,50 mm²; white



Item No.: 890-125

Socket; with strain relief housing; 5-pole; Cod. A; 1,50 mm²; white

1.1.3 Male connector/plug



Item No.: 890-235

Plug; 5-pole; Cod. A; 1,50 mm²; white



Item No.: 890-135

Plug; with strain relief housing; 5-pole; 1,50 mm²; white

1.2 Required Accessories

1.2.1 Installation

1.2.1.1 Mounting accessories



Item No.: 890-625

Mounting plate; 5-pole; for distribution connectors; Plastic; black

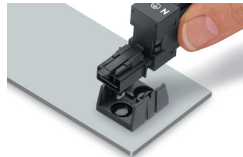


Item No.: 890-675

Mounting plate; 5-pole; for distribution connectors; Plastic; white

Installation Notes

Installation



Secure the mounting plate via pins.