

12 892 970 90 Product version from 4/1/2014



- CEE 7/4 connector
- thermostat regulator (88°C - 98°C)
- capacity 2,5 litres
- power 1300 W
- voltage 220 - 240 volt
- activated carbon filter (5.0 micron level)
- chemical and mechanical filtering
- reduces water hardness (ion exchanger)
- filters dirt, rust, chlorine and lead particles
- filter capacity approx. 450 litres

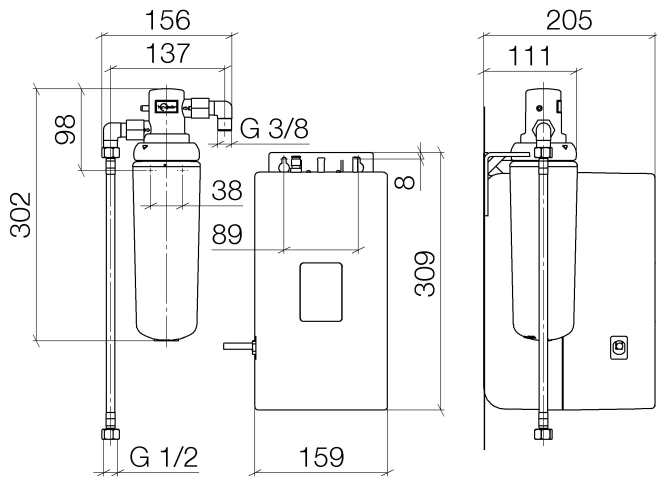
For use with HOT & COLD WATER DISPENSER 17
861 625 / 17 861 680 / 17 861 790 / 17 861 875 / 17
861 888

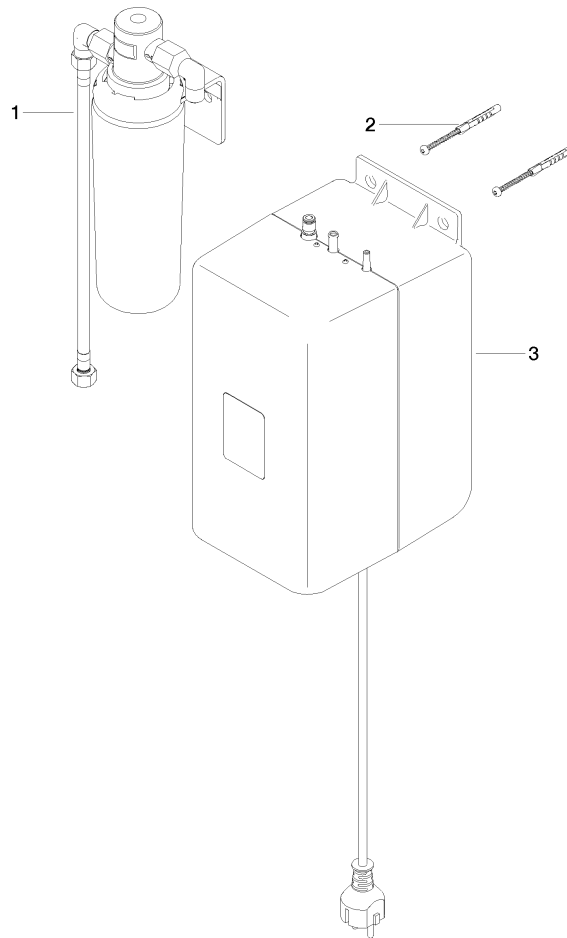
The filter cartridge must be changed every six months. The installation instructions contain further information for guidance.

The products are not available in all markets, please contact your Dornbracht sales force.

NOTE: This item is conditioned separately.

12 892 970 90 Product version from 4/1/2014





Spare parts list

| No. | Item Number | Name | Quantity used | Delivery time |
|-----|--------------------|---|---------------|---------------|
| 1 | 90 11 11 073 00 90 | Connection Conversion kit Filter head, HCWD - | 1.00 | 14 |
| 3 | 90 10 01 033 00 90 | Hot water tank - | 1.00 | 14 |
| 2 | 05 30 31 025 00 90 | Mounting Bolt Round head 4,5 x 60 mm - | 1.00 | 14 |