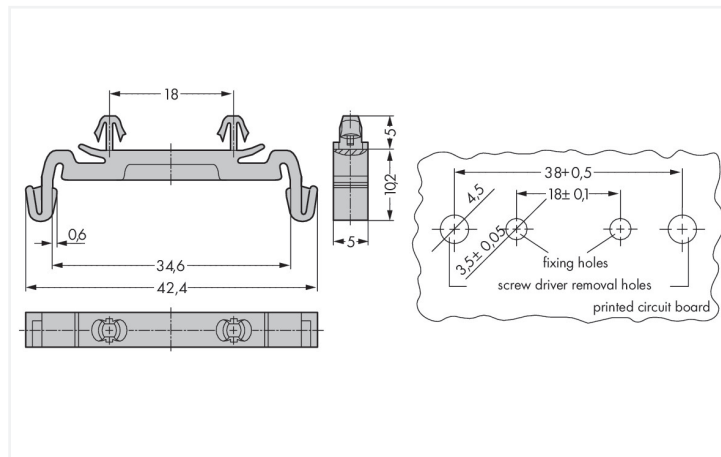


# Data Sheet | Item Number: 209-188

Mounting foot; can be assembled on terminal blocks with fixing flange; gray

<https://www.wago.com/209-188>



Color: ■ gray

Dimensions in mm

## Physical data

Width	5 mm / 0.197 inches
Height	42.3 mm / 1.665 inches
Depth	15 mm / 0.591 inches

## Material data

Color	gray
Material group	I
Insulation material (main housing)	Polyamide (PA66)
Flammability class per UL94	V0
Fire load	0.028 MJ
Weight	0.9 g

## Commercial data

Product Group	2 (Terminal Block Accessories)
PU (SPU)	25 pcs
Packaging type	Bag
Country of origin	DE
GTIN	4017332200998
Customs tariff number	39269097900

Product Classification	
UNSPSC	39121702
eCl@ss 10.0	27-14-11-92
eCl@ss 9.0	27-14-11-92
ETIM 9.0	EC002848
ETIM 10.0	EC002848
ECCN	NO US CLASSIFICATION

Environmental Product Compliance	
RoHS Compliance Status	Compliant, No Exemption

**Downloads**

**Environmental Product Compliance**

Compliance Search

Environmental Product Compliance 209-188	↓
--	---

**CAD/CAE-Data**

CAD data	CAE data
2D/3D Models 209-188	EPLAN Data Portal 209-188
↓	↓
	WSCAD Universe 209-188
	↓
	ZUKEN Portal 209-188
	↓