

25 133 892 Product version up to 5/27/2021



- spout: circular, air-enriched flow
- max. flow 22 l/min at 3 bar flow pressure
- Hand shower: COMPACT RAIN, max. flow rate 6.8 l/min (at 3 bar)
- complete hand shower set with anti-scale system
- 240mm projection
- rotary diverter for bath/shower
- slide-on rosettes Ø 65 mm
- rosette for shower holder Ø 50mm
- 1/2" connection
- gauge 150 mm - 15 mm
- metal shower hose 1250mm with integrated anti-twist protection
- WRAS

Intrinsic protection against back flow.

Stand pipes combination possible on request (special production).

	Brushed Platinum	25 133 892-06
	Chrome	25 133 892-00
	Platinum	25 133 892-08
	Dark Chrome	25 133 892-19
	Brushed Durabronze (23kt Gold)	25 133 892-28
	Matte Black	25 133 892-33
	Brushed Dark Brass (PVD)	25 133 892-39
	Brushed Bronze (PVD)	25 133 892-42
	Brushed Dark Bronze (PVD)	25 133 892-43
	Brushed Champagne (22kt Gold)	25 133 892-46
	Champagne (22kt Gold)	25 133 892-47
	Brushed Chrome	25 133 892-93
	Brushed Dark Platinum	25 133 892-99



TARA Bath mixer for wall mounting with hand shower set - Brushed Platinum

TARA

25 133 892 Product version up to 5/27/2021

Certificates and sustainability

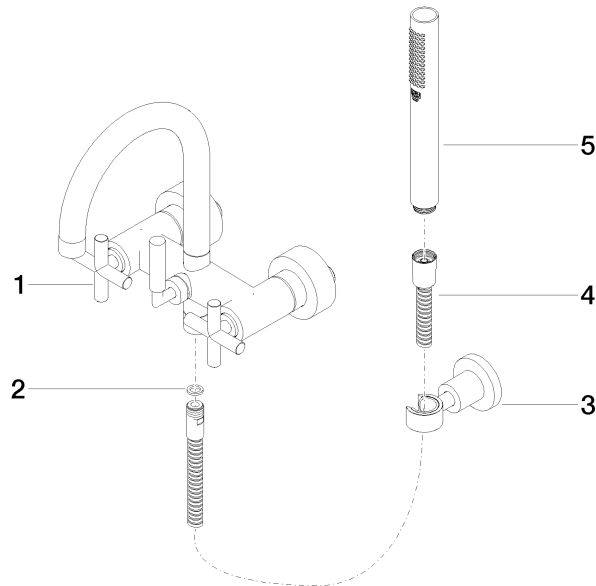
WRAS_2210

Belgaqua_21-026-2 LGA_18

EPD-DOR-20230287 Belgaqua_25-341-2
-IBA1-EN
Environmental.prod
uct-declarat

25 133 892 Product version up to 5/27/2021

Parts for other finishes can be found here: [Chrome](#)



Spare parts list

No.	Item Number	Name	Quantity used	Delivery time
3	28 050 892-06	TARA Wall bracket - Brushed Platinum	1.00	20
4	90 30 02 072 00-06	Metal shower hose 1/2" x 3/8" x 1250 mm - Brushed Stainless Steel / Platinum Matt	1.00	20
2	90 14 20 026 00 90	Washer 14 x 8 x 2 mm Centellen WS 3820 -	1.00	14
1	25 100 892-06	TARA Bath mixer for wall mounting - Brushed Platinum	1.00	-
Spare part can no longer be ordered, please order the replacement item				
5	90 12 11 140 41-06	Bar-type hand shower 6,8 l/min - Brushed Platinum	1.00	-
Spare part can no longer be ordered, please order the replacement item				