

36 608 819 Product version from 4/1/2024

- rosette Ø 60 mm
- head part with cut-to-length spindle and sleeve
- WRAS



	Brushed Dark Platinum	36 608 819-99
	Chrome	36 608 819-00
	Brushed Platinum	36 608 819-06
	Platinum	36 608 819-08
	Dark Chrome	36 608 819-19
	Brushed Durabronze (23kt Gold)	36 608 819-28
	Brushed Dark Brass (PVD)	36 608 819-39
	Brushed Bronze (PVD)	36 608 819-42
	Brushed Dark Bronze (PVD)	36 608 819-43
	Brushed Champagne (22kt Gold)	36 608 819-46
	Champagne (22kt Gold)	36 608 819-47

Required miscellaneous

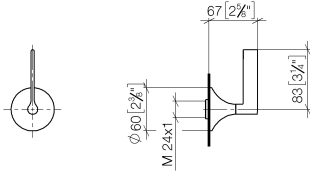
Wall valve 3/4" - 35 608 970 90



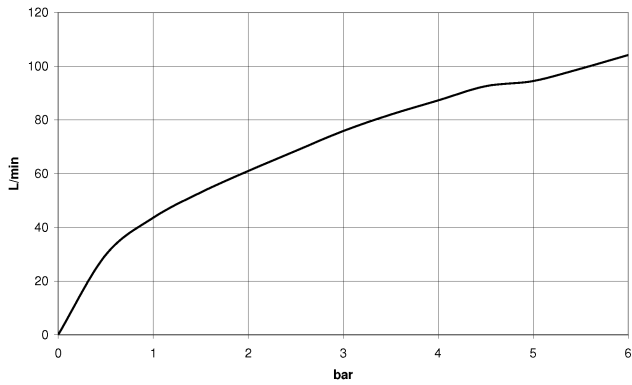
- min. recess depth 75 mm
- max. recess depth 145 mm

36 608 819 Product version from 4/1/2024

mm [inches]



Flow rate chart



Codes & Standards

ASME A112.18.1

cUPC

Scottish Water
Byelaws

UK Water Supply
Regulations



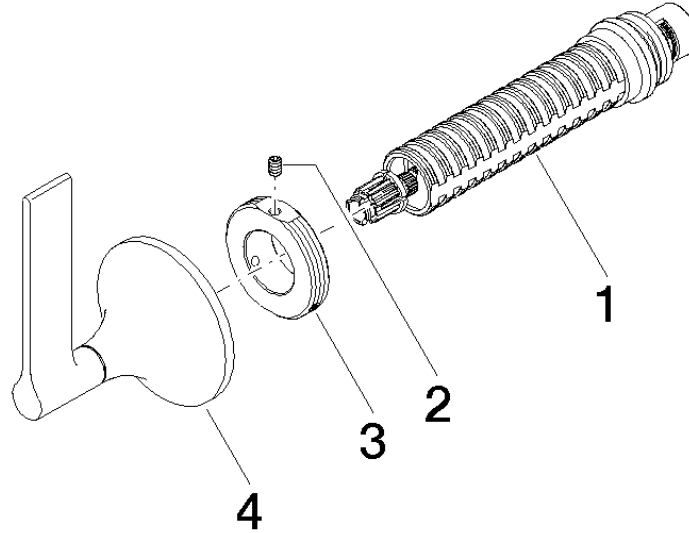
VAIA Wall valve clockwise closing 3/4" - Brushed Dark Platinum

VAIA

36 608 819 Product version from 4/1/2024

Certificates and sustainability

WRAS_2010	IAPMO_4976 (EPD-DOR-20230287 -IBA1-EN Environmental.prod uct-declarat
-----------	--------------	--



Spare parts list

No.	Item Number	Name	Quantity used	Delivery time
2	09 31 11 008 90	Mounting Threaded pin with hexagon socket M4 x 6 mm -	1.00	14
4	90 20 80 015 00-99	Handle for wall valve Neutral Lever 113 x 68 x 60 mm - Brushed Dark Platinum	1.00	40
1	90 90 03 127 00 90	Head part clockwise closing 3/4" -	1.00	14
3	09 21 02 163 90	Mounting Ø 42 x 18 mm -	1.00	14