

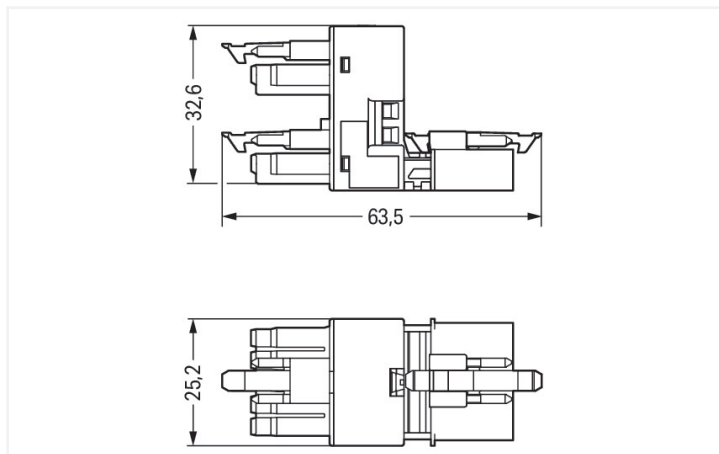
Data Sheet | Item Number: 890-930

h-distribution connector; 5-pole; Cod. A; 1 input; 2 outputs; outputs on one side; 3 locking levers; for flying leads; black

<https://www.wago.com/890-930>



Color: ■ black



Dimensions in mm

Distribution connector WINSTA® MINI 5-pole

The WINSTA® MINI distribution connector 5-pole is the pluggable solution for your application in control cabinets, for lighting connections or on PCBs. The pluggable installation connectors with spring pressure connection technology function completely without screw connections. They allow resource-efficient, error-free installation in numerous possible uses. The mechanical coding and color coding of the pluggable installation connector ensure error-free installation of the individual components – including protection against mismatching. Thanks to the color coding and mechanical A coding of WINSTA® MINI pluggable installation connectors, you can clearly distinguish different circuits. Especially if only limited space is available, our smallest pluggable connection system, WINSTA® MINI, conveniently displays its advantages. It saves space, and, thanks to Push-in CAGE CLAMP® spring pressure connection technology, it also saves time, since the installation is low-maintenance and can be performed without screw connections.

Lower costs through fast commissioning and elimination of service expenses – solutions from WINSTA® MINI

The WINSTA® Pluggable Connection System allows pluggable electrical installation. This significantly reduces the need for servicing and lowers costs. Now you can also lower installation expenses without compromising quality and safety: with protection against mismatching reduces the need for servicing and prevents unnecessary downtime.

- pluggable installation connectors with protection against mismatching
- easy tool-free operation, a wide range of coding options
- suitable for any application
- flexible installation to save space
- convenient installation and commissioning

Electrical data

| Ratings per | IEC/EN 60664-1 | | |
|---------------------------------|----------------|-----|----|
| Overvoltage category | III | III | II |
| Pollution degree | 3 | 2 | 2 |
| Nominal voltage | 400 V | - | - |
| Rated impulse withstand voltage | 6 kV | - | - |
| Rated current | 13 A | - | - |

| Approvals per | UL 1977 |
|---------------|---------|
| Rated voltage | 600 V |
| Rated current | 12 A |

General information

| | |
|----------------------------|--|
| Note on contact resistance | approx. 1 mΩ of contact resistance approx. 0.25 mΩ contact transition plug/ socket |
|----------------------------|--|

Connection Data

| | | | |
|----------------------------|---|---------------------|---|
| Total number of potentials | 5 | Connection 1 | |
| | | Pole number | 5 |

Physical data

| | |
|-------------|-------------------------|
| Pin spacing | 4.4 mm / 0.173 inches |
| Width | 25.2 mm / 0.992 inches |
| Height | 32.65 mm / 1.285 inches |
| Depth | 63.5 mm / 2.5 inches |

Mechanical data

| | |
|---|--|
| Use | General mains applications |
| Coding | A |
| Variable coding | No |
| Marking | N ⊕ 1 2 3 |
| Potential marking | N ⊕ 1 2 3 |
| Mating force of a plug-in connection | Approx. 20 ... 70 N (depending on pole number) |
| Retention force of a plug-in connection | When locked: > 80 N |
| Unmating force of a plug-in connection | Unlocked: approx. 20 ... 70 N (depending on pole number) |
| Number of mating cycles | 200, without resistive load |
| Type of distribution box | h-distribution connector, outputs at one end |
| Protection type | IP20; IP40 when mated |
| Suitable | for flying leads |

Plug-in connection

| | |
|-------------------------------|--|
| Mismating protection | Yes |
| Note on mismating protection | All WINSTA® components are 100% protected against mismating when: a.) plugging different numbers of poles b.) plugging while rotated 180 c.) plugging while laterally staggered d.) plugging one pole |
| Locking lever | Yes |
| Locking of plug-in connection | Locking lever |
| Note on locking system | All connectors for mounted installations (snap-in versions for lighting fixtures or devices, all types of PCB and distribution connectors) are factory-equipped with locking levers to ensure plugs and sockets are securely locked. Additional locking levers are only required for flying leads (plug/socket). |
| Number of locking levers | 3 |

Material data

| | |
|------------------------------------|--|
| Note (material data) | Information on material specifications can be found here |
| Color | black |
| Material group | I |
| Insulation material (main housing) | Polyamide (PA66) |
| Flammability class per UL94 | V0 |
| Contact material | Copper or copper alloy; surface-treated |
| Contact Plating | Tin |
| Fire load | 0.37 MJ |
| Weight | 23.4 g |

Environmental requirements

| | |
|--|--|
| Processing temperature | -5 ... +40 °C |
| Continuous operating temperature | -35 ... +85 °C |
| Note on continuous operating temperature | Insulating parts for temperatures ≤ 105 °C |

Commercial data

| | |
|-----------------------|---------------|
| Product Group | 20 (Winsta) |
| PU (SPU) | 50 pcs |
| Packaging type | Box |
| Country of origin | DE |
| GTIN | 4050821255123 |
| Customs tariff number | 85366990990 |

Product Classification

| | |
|-------------|----------------------|
| UNSPSC | 39121406 |
| eCl@ss 10.0 | 27-44-06-03 |
| eCl@ss 9.0 | 27-44-06-03 |
| ETIM 9.0 | EC002567 |
| ETIM 10.0 | EC002567 |
| ECCN | NO US CLASSIFICATION |

Environmental Product Compliance

| | |
|------------------------|-------------------------|
| RoHS Compliance Status | Compliant, No Exemption |
|------------------------|-------------------------|

Approvals / Certificates

General approvals



| Approval | Standard | Certificate Name |
|--|-----------|------------------|
| CCA DEKRA Certification B.V. | EN 61535 | 71-123231 |
| CCA DEKRA Certification B.V. | IEC 61535 | NL-85020 |
| cURus Underwriters Laboratories Inc. | UL 1977 | E45171 |

Declarations of conformity and manufacturer's declarations

| Approval | Standard | Certificate Name |
|--|----------|------------------|
| EU-Declaration of Conformity WAGO GmbH & Co. KG | - | - |
| UK-Declaration of Conformity WAGO GmbH & Co. KG | - | - |

Approvals for marine applications



| Approval | Standard | Certificate Name |
|---|--------------------|-------------------|
| ABS American Bureau of Ship- ping | Steel Vessel Rules | 24-0095973-PDA |
| DNV GL Det Norske Veritas, Ger- manischer Lloyd | - | TAE00001Z6 |
| PRS Polski Rejestr Statków | - | TE/1096/880590/23 |

Downloads

Environmental Product Compliance

| Compliance Search |
|---|
| Environmental Product Compliance 890-930 |

Documentation

| Bid Text | | | |
|----------|------------|-----------------|--|
| 890-930 | 01.12.2014 | doc 22.50 KB | |
| 890-930 | 19.02.2019 | xml 2.86 KB | |

CAD/CAE-Data

| CAD data |
|----------------------|
| 2D/3D Models 890-930 |

| CAE data |
|---------------------------|
| WSCAD Universe 890-930 |
| ZUKEN Portal 890-930 |

1 Compatible Products

1.1 System counterpart

1.1.1 Cable assembly



Item No.: 891-8995/206-101
pre-assembled connecting cable; Eca;
Plug/open-ended; 5-pole; Cod. A; H05VV-
F 5G 1.5 mm²; 1 m; 1,50 mm²; black



Item No.: 891-8995/106-101
pre-assembled connecting cable; Eca;
Socket/open-ended; 5-pole; Cod. A;
H05VV-F 5G 1.5 mm²; 1 m; 1,50 mm²;
black



Item No.: 891-8995/006-101
pre-assembled interconnecting cable;
Eca; Socket/plug; 5-pole; Cod. A; H05VV-
F 5G 1.5 mm²; 1 m; 1,50 mm²; black

1.1.2 Female connector/socket



Item No.: 890-205

Socket; 5-pole; Cod. A; 1,50 mm²; black



Item No.: 890-105

Socket; with strain relief housing; 5-pole; Cod. A; 1,50 mm²; black

1.1.3 Male connector/plug



Item No.: 890-215

Plug; 5-pole; Cod. A; 1,50 mm²; black



Item No.: 890-115

Plug; with strain relief housing; 5-pole; 1,50 mm²; black

1.2 Required Accessories

1.2.1 Installation

1.2.1.1 Mounting accessories



Item No.: 890-625

Mounting plate; 5-pole; for distribution connectors; Plastic; black

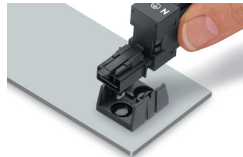


Item No.: 890-675

Mounting plate; 5-pole; for distribution connectors; Plastic; white

Installation Notes

Installation



Secure the mounting plate via pins.