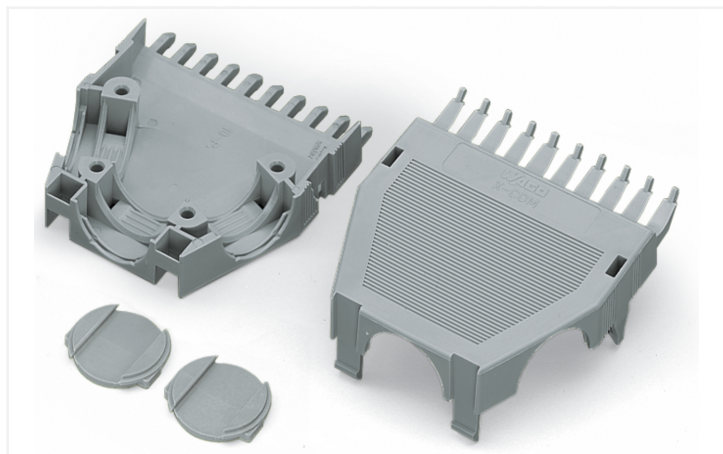


Data Sheet | Item Number: 769-1611

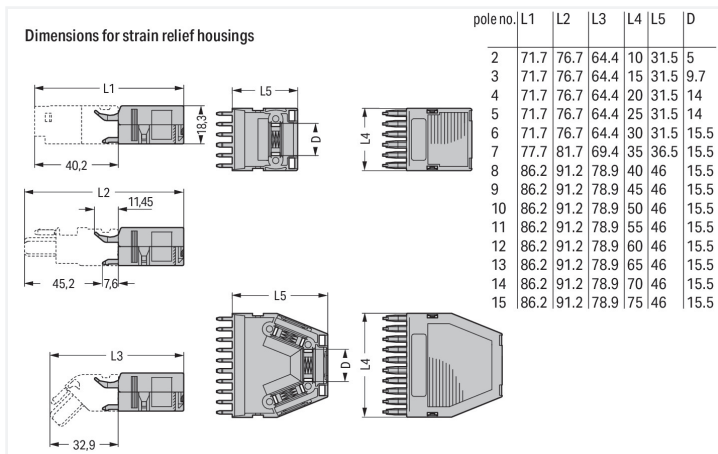
Strain relief housing; for female and male connectors; 2 parts; Pin spacing 5 mm; 11-pole; gray

<https://www.wago.com/769-1611>



Color: ■ gray

Similar to illustration



Dimensions in mm
Dimensions in mm

Connection Data

Connection 1

Pole number 11

Physical data

Width 55 mm / 2.165 inches
Height 18.3 mm / 0.72 inches
Depth 46 mm / 1.811 inches

Material data

Note (material data) [Information on material specifications can be found here](#)
Color gray
Fire load 0.384 MJ
Weight 12.7 g

Commercial data

Product Group 18 (X-COM-System)
PU (SPU) 25 pcs
Packaging type Box
Country of origin DE
GTIN 4017332729703
Customs tariff number 39269097900



Product Classification	
UNSPSC	39121421
eCl@ss 10.0	27-14-11-92
eCl@ss 9.0	27-14-11-92
ETIM 9.0	EC002848
ETIM 10.0	EC002848
ECCN	NO US CLASSIFICATION

Environmental Product Compliance	
RoHS Compliance Status	Compliant, No Exemption

Downloads

Environmental Product Compliance

Compliance Search	
Environmental Product Compliance 769-1611	↓

Documentation

Bid Text			
769-1611	19.02.2019	xml 2.64 KB	↓
769-1611	23.05.2017	doc 23.00 KB	↓

CAD/CAE-Data

CAD data	
2D/3D Models 769-1611	↓

CAE data	
EPLAN Data Portal 769-1611	↓
WSCAD Universe 769-1611	↓
ZUKEN Portal 769-1611	↓

1 Compatible Products

1.1 Optional Accessories

1.1.1 Installation

1.1.1.1 Mounting accessories



Item No.: 209-174

Cable clamp; for strain relief; 7 or more poles

Item No.: 209-173

Fixing screw; for cable clamp; 7 or more poles

1.1.2 Marking

1.1.2.1 Marker



Item No.: 209-501/000-006

WSB marking card; as card; not stretchable; plain; snap-on type; blue



Item No.: 209-501/000-007

WSB marking card; as card; not stretchable; plain; snap-on type; gray



Item No.: 209-501/000-023

WSB marking card; as card; not stretchable; plain; snap-on type; green



Item No.: 209-501/000-017

WSB marking card; as card; not stretchable; plain; snap-on type; light green



Item No.: 209-501/000-012

WSB marking card; as card; not stretchable; plain; snap-on type; orange



Item No.: 209-501/000-005

WSB marking card; as card; not stretchable; plain; snap-on type; red



Item No.: 209-501/000-024

WSB marking card; as card; not stretchable; plain; snap-on type; violet



Item No.: 209-501

WSB marking card; as card; not stretchable; plain; snap-on type; white

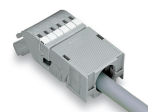
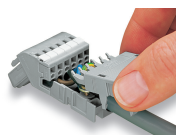
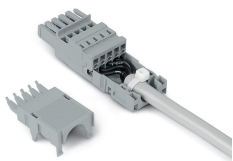


Item No.: 209-501/000-002

WSB marking card; as card; not stretchable; plain; snap-on type; yellow

Installation Notes

Installation

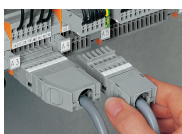


2- to 5-pole strain relief housings feature one cable outlet (rear side).
6- to 7-pole strain relief housings feature one cable outlet (rear side).
8- to 9-pole strain relief housings feature two cable outlets and one cover.
10- to 16-pole strain relief housings feature three cable outlets and two covers.

Snapping on a strain relief housing.

Snap-on type strain relief housing, consists of strain relief support and housing, 6-pole and 1-conductor female plugs, angled, 6-pole

Application



Application
Snap-on type strain relief housings for 769 Series

Subject to changes. Please also observe the further product documentation!

Current addresses can be found at: www.wago.com