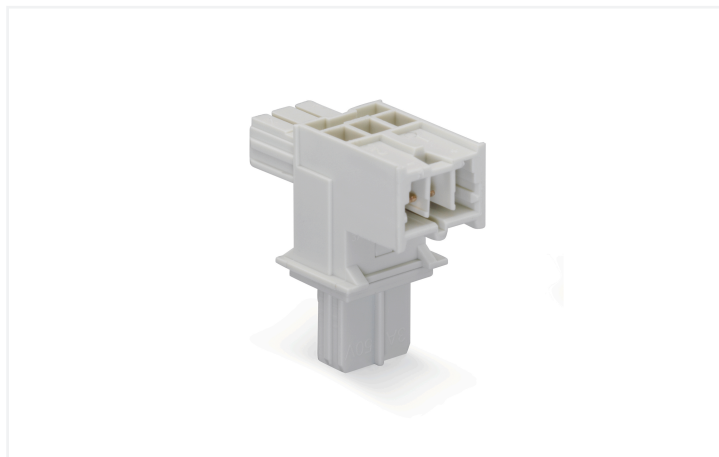
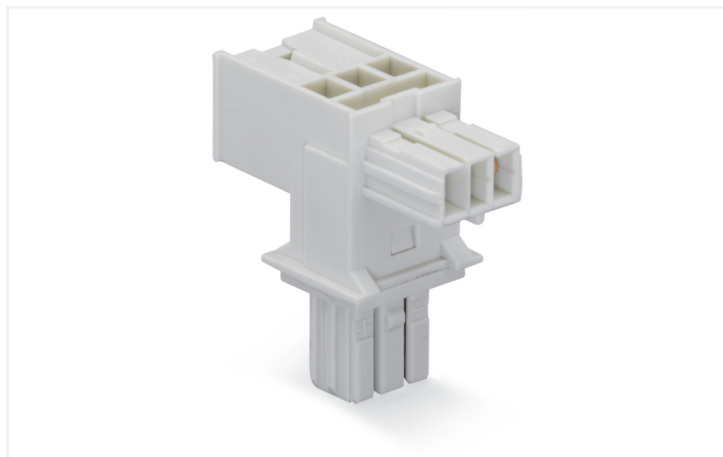


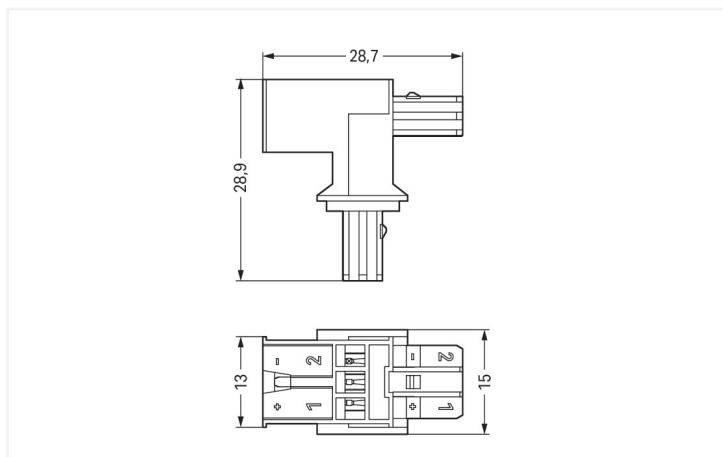
Data Sheet | Item Number: 893-1656

T-distribution connector; 2-pole; 1 input; 2 outputs; light gray

<https://www.wago.com/893-1656>



Color: ■ light gray



Dimensions in mm

Distribution connector WINSTA® KNX rated current 3 A

For power and signal transmission: The WINSTA® KNX distribution connector 2-pole. WAGO pluggable installation connectors are used when specifications repeat or are distributed on a defined pattern, for example for installing grid lighting or flush-mount lighting. The coding options reduce installation errors, allowing fast, maintenance-free wiring of all components. The pluggable installation connector is protected in accordance with protection type IP20 (Only when mated and secured with a strain relief housing (These compact connectors are not designed for use in open, easily accessible areas.)). This means that users' fingers will never come into contact with live contact elements. The harmonised KNX interface represents a manufacturer-independent communication protocol for intelligently networking state-of-the-art home and building system technologies. WINSTA® KNX pluggable installation connectors with F coding are used in low-voltage applications.

Lower costs through fast commissioning and elimination of service expenses – solutions from WINSTA® KNX

The WINSTA® Pluggable Connection System allows pluggable electrical installation. This saves time, lowers costs, and reduces the need for servicing. Now you can also reduce installation expenses without compromising quality and safety: with locking lever reduces the need for servicing and prevents unnecessary downtime.

- saves time, since no wiring is required at the construction site
- with F coding for connections with protection against mismating for supplying power
- ready for immediate use
- convenient installation and commissioning

Electrical data

Ratings per	IEC/EN 60664-1			General information	
	Overvoltage category	III	III	II	Note on contact resistance
Pollution degree	3	2	2		
Nominal voltage	50 V	-	-		
Rated impulse withstand voltage	0.8 kV	-	-		
Rated current	3 A	-	-		

Connection Data

Total number of potentials	2	Connection 1
		Pole number
		2

Physical data

Width	15 mm / 0.591 inches
Height	28.9 mm / 1.138 inches
Depth	28.7 mm / 1.13 inches

Mechanical data

Technology	KNX
Coding	F
Variable coding	No
Marking	1+ 2-
Potential marking	1+ 2-
Mating force of a plug-in connection	Approx. 10 ... 15 N
Retention force of a plug-in connection	When locked: > 80 N
Unmating force of a plug-in connection	Unlocked: approx. 15 ... 20 N
Number of mating cycles	200
Type of distribution box	T-distribution connector
Protection type	IP20; Only when mated and secured with a strain relief housing (These compact connectors are not designed for use in open, easily accessible areas.)

Plug-in connection

Mismating protection	Yes
Note on mismating protection	All <i>WINSTA</i> ® components are 100% protected against mismating when: a.) plugging different numbers of poles b.) plugging while rotated 180 c.) plugging while laterally staggered d.) plugging one pole
Locking lever	Yes
Locking of plug-in connection	Locking lever
Note on locking system	All connectors for mounted installations (snap-in versions for lighting fixtures or devices, all types of PCB and distribution connectors) are factory-equipped with locking levers to ensure plugs and sockets are securely locked. Additional locking levers are only required for flying leads (plug/socket).
Number of locking levers	2

Material data

Note (material data)	Information on material specifications can be found here
Color	light gray
Insulation material (main housing)	Polyamide (PA66)
Flammability class per UL94	V0
Contact material	Copper alloy; surface-treated
Contact Plating	Tin
Fire load	0.054 MJ
Weight	3.1 g

Environmental requirements

Processing temperature	-5 ... +40 °C
Continuous operating temperature	-35 ... +85 °C
Note on continuous operating temperature	Insulating parts for temperatures ≤ 105 °C

Commercial data

Product Group	20 (Winsta)
PU (SPU)	25 pcs
Packaging type	Box
Country of origin	DE
GTIN	4045454547684
Customs tariff number	85366990990

Product Classification

UNSPSC	39121406
eCl@ss 10.0	27-44-06-03
eCl@ss 9.0	27-44-06-03
ETIM 9.0	EC002567
ETIM 10.0	EC002567
ECCN	NO US CLASSIFICATION

Environmental Product Compliance

RoHS Compliance Status	Compliant, No Exemption
------------------------	-------------------------

Downloads

Environmental Product Compliance

Compliance Search

Environmental Product
Compliance 893-1656



Documentation

Bid Text

893-1656	19.02.2019	xml 2.76 KB	
893-1656	08.01.2015	doc 22.50 KB	

CAD/CAE-Data

CAE data

WSCAD Universe 893-1656	
----------------------------	---