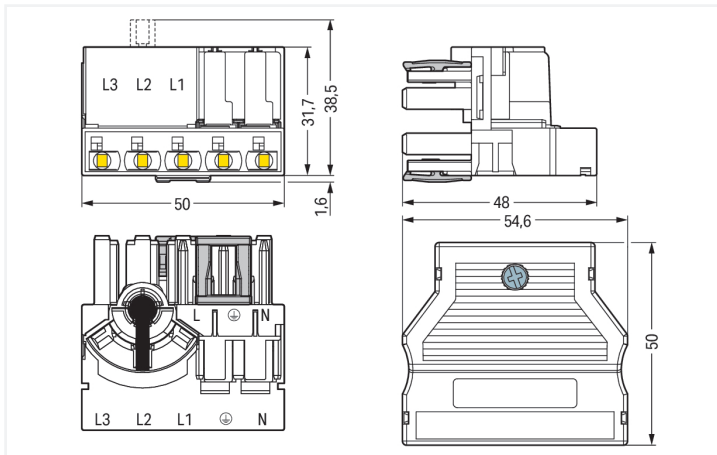


Data Sheet | Item Number: 770-611

Three-phase to single-phase distribution connector; with phase selection; 5-pole/3-pole; Cod. A; 1 input; 2 outputs; with cable connection on the input side; black

<https://www.wago.com/770-611>



Color: ■ black

Dimensions in mm

Distribution connector *WINSTA*® MIDI rated current 25 A

For power and signal transmission: The *WINSTA*® MIDI distribution connector A coding. The pluggable installation connectors with spring pressure connection technology work without screw connections. They allow fast, efficient, error-free installation in numerous applications. For greater security in electrical installations, the pluggable installation connector is equipped with mechanical protection against mismatching. The pluggable installation connector offers touch-proof protection with live components in accordance with protection type IP20 (When mated: IP2xC (These compact connectors are not designed for use in open, easily accessible areas!)). Thanks to the color coding and mechanical A coding of *WINSTA*® MIDI pluggable installation connectors, you can clearly distinguish different circuits. This pluggable installation connector can be employed for a voltage load of up to 25 A. As a result, it can also be used for high power loads. *WINSTA*® MIDI with Push-in CAGE CLAMP® spring pressure connection technology is found in a broad range of individual products you can use for quick, easy, flexible, and secure installation.

WINSTA® MIDI solutions for your electrical installation – protected against mismatching and maintenance-free

The *WINSTA*® Pluggable Connection System allows pluggable electrical installation. This saves time, lowers costs, and reduces the need for servicing. Now you can also reduce installation costs without compromising quality and safety: with protection against mismatching reduces the need for servicing and prevents unnecessary downtime.

- effective protection against mismatching
- simple circuits
- with A coding for use in many general mains applications
- custom-engineered solutions
- convenient installation and commissioning

Electrical data

Ratings per	IEC/EN 60664-1			Ratings per IEC/EN 2	
Overtoltage category	III	III	II	Rated voltage (III / 3)	250 V
Pollution degree	3	2	2	Rated impulse withstand voltage (III/3)	4 kV
Nominal voltage	-	-	-		
Rated impulse withstand voltage	-	-	-		
Rated current	-	-	-		

Ratings	
Approvals per	UL 1977
Rated voltage	600 V
Rated current	23 A

General information	
Note on contact resistance	approx. 1 mΩ of contact resistance approx. 0.25 mΩ contact transition plug/ socket

Connection Data

Clamping units	5
PE function	Preceding PE contact

Connection 1	
Connection technology	Push-in CAGE CLAMP®
Actuation type	Operating tool Push-in
Nominal cross-section	4 mm ² / 12 AWG
Solid conductor	0.5 ... 4 mm ² / 20 ... 12 AWG
Solid conductor; push-in termination	1.5 ... 4 mm ² / 16 ... 12 AWG
Stranded conductor	0.5 ... 2.5 mm ² / 20 ... 14 AWG
Fine-stranded conductor	0.5 ... 4 mm ² / 20 ... 12 AWG
Fine-stranded conductor; with insulated ferrule	0.25 ... 1.5 mm ² / 20 ... 16 AWG
Fine-stranded conductor; with uninsulated ferrule	0.25 ... 2.5 mm ² / 20 ... 14 AWG
Fine-stranded conductor; with ferrule; push-in termination	1.5 mm ² / 16 AWG
Strip length	9 mm / 0.35 inches
Connectable sheathed cable diameter	9 ... 13 mm

Physical data

Pin spacing	10 mm / 0.394 inches
Width	54.6 mm / 2.15 inches
Height	31.7 mm / 1.248 inches
Depth	48 mm / 1.89 inches

Mechanical data

Use	General mains applications
Coding	A
Variable coding	Yes
Marking	N ⊕ L1 L2 L3
Potential marking	N ⊕ L1 L2 L3
Retention force of a plug-in connection	When locked: > 80 N
Type of distribution box	Distribution connector with phase selection
Protection type	IP20; When mated: IP2xC (These compact connectors are not designed for use in open, easily accessible areas!)

Plug-in connection

Mismating protection	Yes
Note on mismating protection	All <i>WINSTA</i> ® components are 100% protected against mismating when: a.) plugging different numbers of poles b.) plugging while rotated 180 c.) plugging while laterally staggered d.) plugging one pole
Number of locking levers	2

Material data

Note (material data)	Information on material specifications can be found here
Color	black
Insulation material (main housing)	Polyamide (PA66)
Flammability class per UL94	V0
Clamping spring material	Chrome-nickel spring steel (CrNi)
Contact material	Copper or copper alloy; surface-treated
Contact Plating	Tin
Fire load	1.017 MJ
Weight	47.3 g

Environmental requirements

Processing temperature	-5 ... +40 °C
Continuous operating temperature	-35 ... +85 °C
Note on continuous operating temperature	Insulating parts for temperatures ≤ 105 °C

Commercial data

PU (SPU)	10 pcs
Packaging type	Box
Country of origin	DE
GTIN	4045454558406
Customs tariff number	85366990990

Product Classification

UNSPSC	39121406
eCl@ss 10.0	27-44-06-03
eCl@ss 9.0	27-44-06-03
ETIM 9.0	EC002567
ETIM 10.0	EC002567
ECCN	NO US CLASSIFICATION

Environmental Product Compliance

RoHS Compliance Status	Compliant, No Exemption
------------------------	-------------------------

Approvals / Certificates

General approvals



Approval	Standard	Certificate Name
CCA DEKRA Certification B.V.	EN 61535	71-123228
CCA DEKRA Certification B.V.	IEC 61535	NL -84761

Declarations of conformity and manufacturer's declarations

Approval	Standard	Certificate Name
EU-Declaration of Confor- mity WAGO GmbH & Co. KG	-	-

Approvals for marine applications



Approval	Standard	Certificate Name
ABS American Bureau of Ship- ping	-	24-0095977-PDA

Downloads

Environmental Product Compliance

Compliance Search
Environmental Product Compliance 770-611

Documentation

Bid Text			
770-611	19.02.2019	xml 3.08 KB	
770-611	08.06.2015	doc 24.00 KB	

CAD/CAE-Data

CAD data
2D/3D Models 770-611

CAE data
EPLAN Data Portal 770-611
WSCAD Universe 770-611
ZUKEN Portal 770-611

1 Compatible Products

1.1 System counterpart

1.1.1 Cable assembly



[Item No.: 771-9993/206-101](#)
pre-assembled connecting cable; Eca;
Plug/open-ended; 3-pole; Cod. A; H05VV-
F 3G 1.5 mm²; 1 m; 1,50 mm²; black

[Item No.: 771-9995/206-101](#)
pre-assembled connecting cable; Eca;
Plug/open-ended; 5-pole; Cod. A; H05VV-
F 5G 1.5 mm²; 1 m; 1,50 mm²; black

[Item No.: 771-9993/006-101](#)
pre-assembled interconnecting cable;
Eca; Socket/plug; 3-pole; Cod. A; H05VV-
F 3G 1.5 mm²; 1 m; 1,50 mm²; black

[Item No.: 771-9995/006-101](#)
pre-assembled interconnecting cable;
Eca; Socket/plug; 5-pole; Cod. A; H05VV-
F 5G 1.5 mm²; 1 m; 1,50 mm²; black

1.1.2 Male connector/plug



Item No.: 770-213

Plug; 3-pole; Cod. A; black

Item No.: 770-215

Plug; 5-pole; Cod. A; 4,00 mm²; black

Item No.: 770-415

Plug; 5-pole; Cod. A; 4,00 mm²; black

Item No.: 770-113

Plug; with strain relief housing; 3-pole; Cod. A; 4,00 mm²; black



Item No.: 770-213/035-000

Plug; with strain relief housing; 3-pole; Cod. A; 4,00 mm²; black

Item No.: 770-115

Plug; with strain relief housing; 5-pole; Cod. A; 4,00 mm²; black

Item No.: 770-315

Plug; with strain relief housing; 5-pole; Cod. A; 4,00 mm²; black

1.2 Optional Accessories

1.2.1 Cover

1.2.1.1 Cover



Item No.: 770-201

Lockout cap; 12-pole, separable; for sockets; Plastic; black

Item No.: 770-221

Lockout cap; 12-pole, separable; for sockets; Plastic; white

Item No.: 770-360

Lockout cap; for plugs; 5-pole; separable; yellow

1.2.2 Installation

1.2.2.1 Mounting accessories



Item No.: 770-625

Mounting plate; 5-pole; for distribution connectors; Plastic; black

Item No.: 770-675

Mounting plate; 5-pole; for distribution connectors; Plastic; white

1.2.3 Tool

1.2.3.1 Operating tool



Item No.: 210-720

Operating tool; Blade: 3,5 x 0,5 mm; with a partially insulated shaft; multicoloured

1.2.3.2 Wiring aid



Item No.: 770-100

Wiring aid; 2- to 5-pole; Plastic; orange

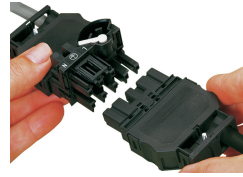
Installation Notes



Lift jumper out of delivery position (L2) using a screwdriver and move it into the desired position.



Push down jumper in its new position (picture shows L3).

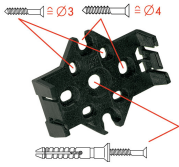


The 5-pole energy circuit can be extended using pluggable cable assemblies.



Plugging a 3-pole tap-off cable.

Installation



Mounting plates can be secured using commercially available screws or nail-drive anchors.



The distribution connectors snap together when attached to the mounting plate.



To release the distribution connector, unlock the latch using a screwdriver.



All distribution connector connections are locked and protected against accidental disconnection directly after mating. Locking of any connection is released using a screwdriver, even if all connections are used.