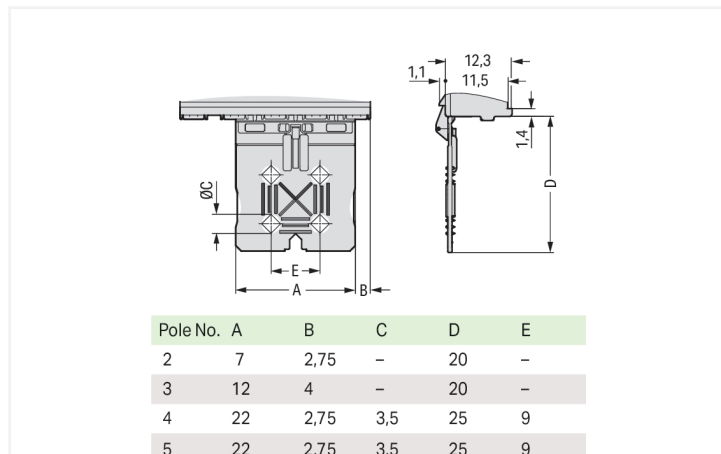


## Data Sheet | Item Number: 2092-3603/002-000

Gripping plate with sliding connector release; for female and male connectors; 2 parts; Pin spacing 7.5 mm; light gray

<https://www.wago.com/2092-3603/002-000>



Color: ■ light gray

Similar to illustration

Dimensions in mm

### Physical data

Pin spacing	7.5 mm / 0.295 inches
Width	22 mm

### Mechanical data

Design	with sliding connector release
--------	--------------------------------

### Material data

Note (material data)	<a href="#">Information on material specifications can be found here</a>
Color	light gray
Material group	I
Insulation material (main housing)	Polyphthalamide (PPA GF)
Flammability class per UL94	V0
Fire load	0.042 MJ
Weight	1.4 g

### Commercial data

PU (SPU)	100 (25) pcs
Packaging type	Box
Country of origin	DE
GTIN	4050821447993
Customs tariff number	85389099990

## Product Classification

UNSPSC	39121421
eCl@ss 10.0	27-14-11-92
eCl@ss 9.0	27-14-11-92
ETIM 9.0	EC002848
ETIM 10.0	EC002848
ECCN	NO US CLASSIFICATION

## Environmental Product Compliance

RoHS Compliance Status	Compliant, No Exemption
------------------------	-------------------------

## Approvals / Certificates

### General approvals



Approval	Standard	Certificate Name
CSA DEKRA Certification B.V.	C22.2 No. 158	2362521

## Downloads

### Environmental Product Compliance


#### Compliance Search

Environmental Product  
Compliance  
2092-3603/002-000



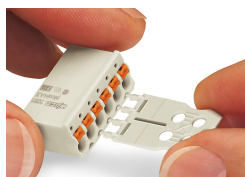
## Documentation

### Additional Information

Technical Section	03.04.2019	pdf 2027.26 KB	
-------------------	------------	-------------------	---

## Installation Notes

### Strain relief



Gripping plates are suitable for factory and field assembly.