


**CL.1 Deck valve clockwise closing cold - Brushed Platinum**

CL.1

20 005 705 Product version from 3/9/2015

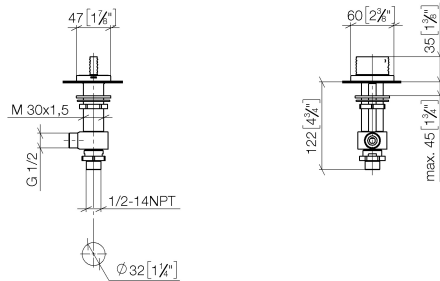


- with WAVES structure
- hole diameter 32 mm
- rosette 60 x 47 mm
- with cold marking
- WRAS

	Brushed Platinum	20 005 705-06
	Chrome	20 005 705-00
	Dark Chrome	20 005 705-19
	Brushed Light Gold (PVD)	20 005 705-27
	Brushed Champagne (22kt Gold)	20 005 705-46
	Champagne (22kt Gold)	20 005 705-47
	Brushed Dark Platinum	20 005 705-99

20 005 705 Product version from 3/9/2015

mm [inches]



**Flow rate chart**



**Codes & Standards**

ASME A112.18.1	cUPC	DIN 4109	ISO 3822
NSF372	NSF61	Scottish Water Byelaws	UK Water Supply Regulations

**Ü-Zeichen**



## CL.1 Deck valve clockwise closing cold - Brushed Platinum

CL.1

20 005 705 Product version from 3/9/2015

### Certificates and sustainability

IAPMO\_N-4

WRAS\_240202

LGA\_28

IAPMO\_4976

IAPMO\_6

EPD-DOR-20230287

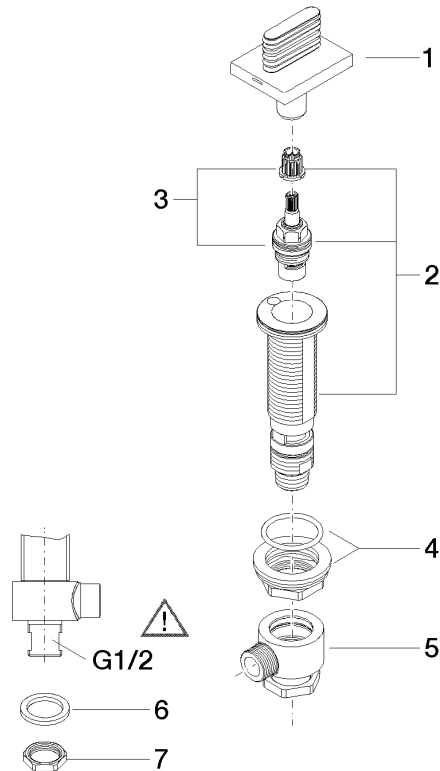
-IBA1-EN

Environmental.prod

uct-declarat

20 005 705 Product version from 3/9/2015

Parts for other finishes can be found here: [Chrome](#)



### Spare parts list

No.	Item Number	Name	Quantity used	Delivery time
7	09 30 11 059 90	Disc -	1.00	14
5	04 17 11 023 10 90	Connection Distributor, complete 1/2" -	1.00	14
8	09 23 10 012 90	Mounting Nut SW 24 1/2" -	1.00	14
3	90 90 03 153 00 90	Head part clockwise closing extended, 7mm 1/2" -	1.00	14
6	90 23 30 040 00-06	Union piece - Brushed Platinum	1.00	20
4	04 23 10 032 78 90	Mounting with seals M30 x 1,5 -	1.00	14
1	90 20 70 055 06-06	Handle for basin Cold oval wave 60 x 47,5 x 40 mm - Brushed Platinum	1.00	20
2	04 17 11 058 53 90	Side piece clockwise closing 1/2" -	1.00	14