

# Product data sheet Spirotech

## Product name

**SpiroCombi -DN250 -Flange**

## Product properties

A steel (microbubble) deaerator and dirt separator for standard flow rate (1.5 m/s) with a DN50 - DN300 PN16 flange connection

- Combined separation system - removes circulating air and microbubbles effectively
- Improve cost control and energy efficiency
- Applicable with 50/50 Ethylene Glycol / Water (Volume)
- Very small particles, from 5  $\mu\text{m}$  (= 0.005 mm), are separated and removed
- Dirt can be discharged while the system is in operation
- No shut-off valves or bypass required
- Constant low pressure drop
- PN16 flange connections
- Connection diameters from DN50 - DN300, larger connection diameters on request
- Exceptional guarantee

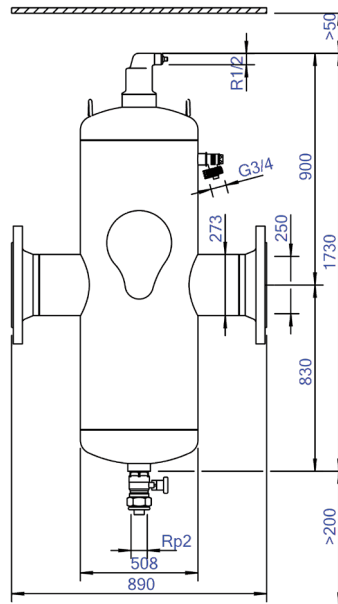
## Article number

**BC250F**

## Product image



## Product dimensions



# Product data sheet Spirotech

## ETIM product data

|   |                          |                                    |                           |
|---|--------------------------|------------------------------------|---------------------------|
| Housing material                          | Steel                    | Construction length                | 890 mm                    |
| With drain valve                          | Yes                      | Article compression class          | PN 10                     |
| Housing material quality                  | St 37 (1.0254)           | Surface protection                 | Lacquered                 |
| Backwash filter                           | No                       | Suitable for open system           | No                        |
| Medium temperature (continuous)           | 0 - 110 °C               | Suitable for closed system         | Yes                       |
| Max. operating pressure                   | 10 bar                   | Suitable for solar                 | No                        |
| KVS value [m <sup>3</sup> /h] at ΔP 1 bar | 1095.5 m <sup>3</sup> /h | With dismountable filter           | No                        |
| Variable flow direction                   | Yes                      | Filter volume                      | 300 l                     |
| With insulation                           | No                       | Magnet operating principle         | No                        |
| Separator type                            | Air/dirt                 | With automatic de-aerator          | Yes                       |
| Connection                                | Flange                   | Cleaning possible during operation | Yes                       |
| Model                                     | Horizontal               | With couplers                      | No                        |
| Nominal diameter                          | DN 250                   | Inlet/outlet offset distance       | 0 mm                      |
| Max. glycol mixture                       | 50 %                     | Material of connection             | Steel                     |
| Suitable for heating                      | Yes                      | Flow-through capacity              | 0 - 288 m <sup>3</sup> /h |
| Suitable for cooling                      | Yes                      | Flange standard                    | DIN                       |

### Disclaimer

This product sheet has been compiled with the greatest possible care. Nevertheless, it may contain errors or omissions. For the most current and correct information we refer you to our website

