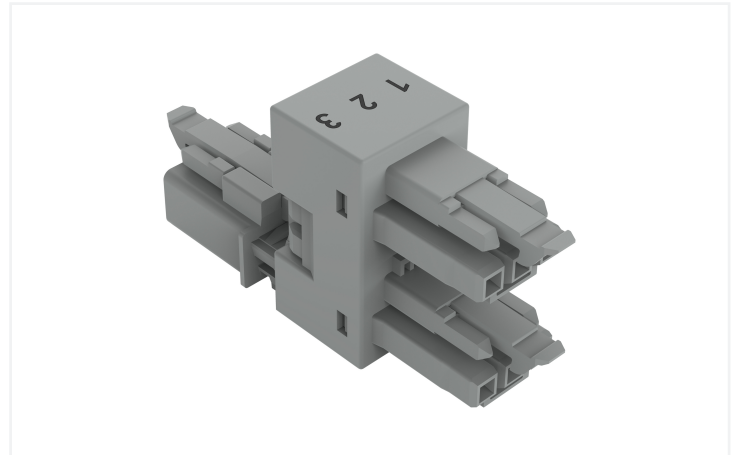
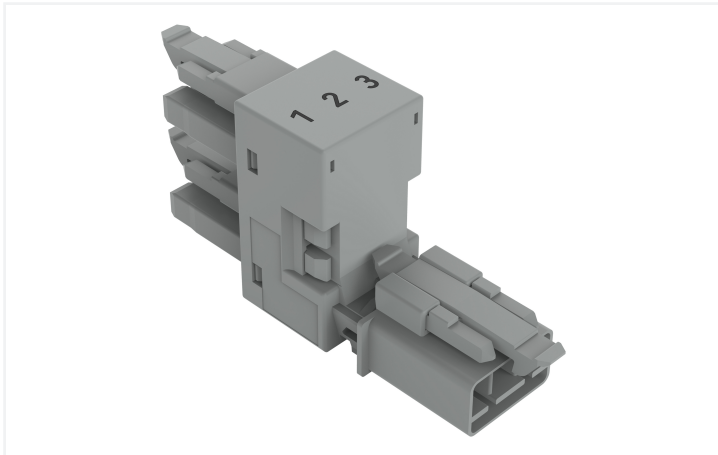


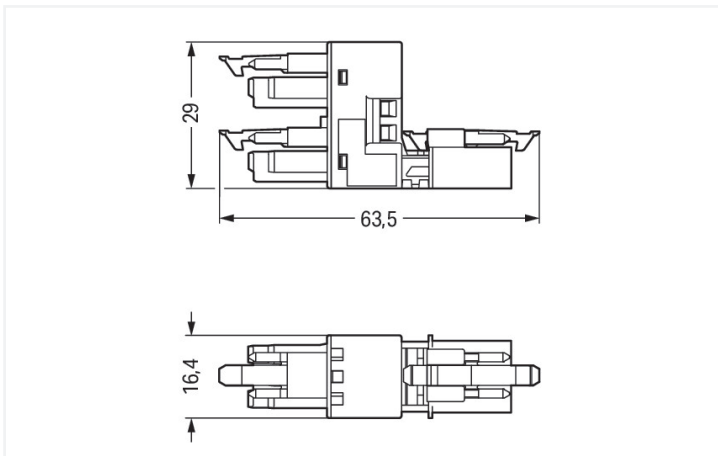
Data Sheet | Item Number: 890-1761

h-distribution connector; 3-pole; Cod. B; 1 input; 2 outputs; outputs on one side; 3 locking levers; for flying leads; gray

<https://www.wago.com/890-1761>



Color: ■ gray



Dimensions in mm

Distribution connector *WINSTA*® MINI with protection against mismatching

For power and signal transmission: The *WINSTA*® MINI distribution connector with locking latch. Whether on PCBs, in control cabinets or for connecting lights – pluggable installation connectors from WAGO allow you to make connections according to an enormous variety of requirements in seconds. The mechanical coding and color coding of the pluggable installation connector ensure error-free installation of the individual components – including protection against mismatching. Solutions like the *WINSTA*® MINI pluggable installation connectors with B coding are appropriate for process control, for example, for lighting or within data networks. If only limited space is available, our smallest pluggable connection system, *WINSTA*® MINI, conveniently displays its advantages. It saves space, and, thanks to Push-in CAGE CLAMP® spring pressure connection technology, it also saves time, since the connection is low-maintenance and can be performed without screw connections.

WINSTA® MINI solutions for your electrical installation – protected against mismatching and maintenance-free

The *WINSTA*® Pluggable Connection System allows pluggable electrical installation. This saves time, lowers costs, and reduces the need for servicing. Choose durability and quality – with protection type IP20 from WAGO makes the installation of electrical components visibly easier.

- protection against mismatching eliminates errors
- consistent IP40 protection
- for automation controllers
- ready to install and use immediately
- rapid, structured electrical installation

Notes

| | |
|-----------|---|
| Variants: | Other pole markings Other versions (or variants) can be requested from WAGO Sales or configured at https://configurator.wago.com/ . |
|-----------|---|

Electrical data

| Ratings per | IEC/EN 60664-1 | | | Ratings per IEC/EN – Notes | |
|---------------------------------|----------------|-----|----|----------------------------|----------------------|
| Overtoltage category | III | III | II | Rated current (note) | 13 A for 3-pole load |
| Pollution degree | 3 | 2 | 2 | | |
| Nominal voltage | 250 V | - | - | | |
| Rated impulse withstand voltage | 4 kV | - | - | | |
| Rated current | 16 A | - | - | | |

Approvals per

UL 1977

| | |
|---------------|-------|
| Rated voltage | 600 V |
| Rated current | 14 A |

General information

| | |
|----------------------------|--|
| Note on contact resistance | approx. 1 mΩ of contact resistance approx. 0.25 mΩ contact transition plug/ socket |
|----------------------------|--|

Connection Data

| | |
|----------------------------|---|
| Total number of potentials | 3 |
|----------------------------|---|

Connection 1

| | |
|-------------|---|
| Pole number | 3 |
|-------------|---|

Physical data

| | |
|-------------|------------------------|
| Pin spacing | 4.4 mm / 0.173 inches |
| Width | 16.4 mm / 0.646 inches |
| Height | 29 mm / 1.142 inches |
| Depth | 63.5 mm / 2.5 inches |

Mechanical data

| | |
|---|--|
| Use | Control technology |
| Coding | B |
| Variable coding | No |
| Marking | 1 2 3 |
| Potential marking | 1 2 3 |
| Mating force of a plug-in connection | Approx. 20 ... 70 N (depending on pole number) |
| Retention force of a plug-in connection | When locked: > 80 N |
| Unmating force of a plug-in connection | Unlocked: approx. 20 ... 70 N (depending on pole number) |
| Number of mating cycles | 200, without resistive load |
| Type of distribution box | h-distribution connector, outputs at one end |
| Protection type | IP20; IP40 when mated |
| Suitable | for flying leads |

Plug-in connection

| | |
|-------------------------------|--|
| Mismating protection | Yes |
| Note on mismating protection | All WINSTA® components are 100% protected against mismating when: a.) plugging different numbers of poles b.) plugging while rotated 180 c.) plugging while laterally staggered d.) plugging one pole |
| Locking lever | Yes |
| Locking of plug-in connection | Locking lever |
| Note on locking system | All connectors for mounted installations (snap-in versions for lighting fixtures or devices, all types of PCB and distribution connectors) are factory-equipped with locking levers to ensure plugs and sockets are securely locked. Additional locking levers are only required for flying leads (plug/socket). |
| Number of locking levers | 3 |

Material data

| | |
|------------------------------------|--|
| Note (material data) | Information on material specifications can be found here |
| Color | gray |
| Material group | I |
| Insulation material (main housing) | Polyamide (PA66) |
| Flammability class per UL94 | V0 |
| Contact material | Copper or copper alloy; surface-treated |
| Contact Plating | Tin |
| Fire load | 0.252 MJ |
| Weight | 13.9 g |

Environmental requirements

| | |
|--|--|
| Processing temperature | -5 ... +40 °C |
| Continuous operating temperature | -35 ... +85 °C |
| Note on continuous operating temperature | Insulating parts for temperatures ≤ 105 °C |

Commercial data

| | |
|-----------------------|---------------|
| Product Group | 20 (Winsta) |
| PU (SPU) | 50 pcs |
| Packaging type | Box |
| Country of origin | DE |
| GTIN | 4050821530732 |
| Customs tariff number | 85366990990 |

Product Classification

| | |
|-------------|----------------------|
| UNSPSC | 39121402 |
| eCl@ss 10.0 | 27-44-06-03 |
| eCl@ss 9.0 | 27-44-06-03 |
| ETIM 9.0 | EC002567 |
| ETIM 10.0 | EC002567 |
| ECCN | NO US CLASSIFICATION |

Environmental Product Compliance

RoHS Compliance Status

Compliant, No Exemption

Approvals / Certificates

General approvals



| Approval | Standard | Certificate Name |
|--|-----------|------------------|
| CB DEKRA Certification B.V. | IEC 61984 | NL-64351 |
| CB DEKRA Certification B.V. | EN 61984 | 71-112993 |
| cURus Underwriters Laboratories Inc. | UL 1977 | E45171 |
| KEMA/KEUR DEKRA Certification B.V. | EN 60320 | 2148952.04 |

Declarations of conformity and manufacturer's declarations

| Approval | Standard | Certificate Name |
|---|----------|------------------|
| EU-Declaration of Confor- mity WAGO GmbH & Co. KG | - | - |
| UK-Declaration of Confor- mity WAGO GmbH & Co. KG | - | - |

Approvals for marine applications



| Approval | Standard | Certificate Name |
|---|----------|-------------------|
| DNV GL Det Norske Veritas, Ger- manischer Lloyd | - | TAE00001Z6 |
| LR Lloyds Register | EN 61535 | 08/20047 (E2) |
| PRS Polski Rejestr Statków | - | TE/1096/880590/23 |

Downloads

Environmental Product Compliance

Compliance Search




Environmental Product
Compliance 890-1761

Documentation

Bid Text

| | | | |
|----------|------------|-----------------|---|
| 890-1761 | 19.02.2019 | xml 2.89 KB |  |
| 890-1761 | 02.12.2014 | doc 22.50 KB |  |

CAD/CAE-Data

| CAD data | CAE data |
|--|--|
| 2D/3D Models 890-1761  | WSCAD Universe 890-1761  |
| | ZUKEN Portal 890-1761  |

1 Compatible Products

1.1 System counterpart

1.1.1 Cable assembly



Item No.: 891-8993/205-103

pre-assembled connecting cable; Eca; Plug/open-ended; 3-pole; Cod. B; 1 m; 1,00 mm²; gray

Item No.: 891-8993/105-103

pre-assembled connecting cable; Eca; Socket/open-ended; 3-pole; Cod. B; 1 m; 1,00 mm²; gray

Item No.: 891-8993/005-103

pre-assembled interconnecting cable; Eca; Socket/plug; 3-pole; Cod. B; 1 m; 1,00 mm²; gray

1.1.2 Female connector/socket



Item No.: 890-243

Socket; 3-pole; Cod. B; 1,50 mm²; gray

1.1.3 Male connector/plug



Item No.: 890-253

Plug; 3-pole; Cod. B; 1,50 mm²; gray

1.2 Required Accessories

1.2.1 Installation

1.2.1.1 Mounting accessories



Item No.: 890-623

Mounting plate; 3-pole; for distribution connectors; Plastic; black

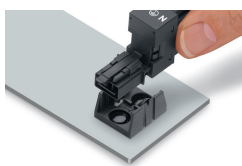


Item No.: 890-673

Mounting plate; 3-pole; for distribution connectors; Plastic; white

Installation Notes

Installation



Secure the mounting plate via pins.