

36 120 660 Product version up to 2/20/2020



- automatic diverter
- cover plate Ø 150 mm
- WRAS

	Platinum	36 120 660-08
	Chrome	36 120 660-00
	Brushed Platinum	36 120 660-06
	Dark Chrome	36 120 660-19
	Light Gold (PVD)	36 120 660-26
	Brushed Light Gold (PVD)	36 120 660-27
	Brushed Durabrass (23kt Gold)	36 120 660-28
	Matte Black	36 120 660-33
	Brushed Gold (PVD)	36 120 660-37
	Brushed Dark Brass (PVD)	36 120 660-39
	Brushed Bronze (PVD)	36 120 660-42
	Brushed Dark Bronze (PVD)	36 120 660-43
	Brushed Champagne (22kt Gold)	36 120 660-46
	Champagne (22kt Gold)	36 120 660-47
	Brushed Chrome	36 120 660-93
	Brushed Dark Platinum	36 120 660-99

Required miscellaneous



Concealed single-lever mixer with backflow preventor - 35 021 970 90
 •min. recess depth 80 mm
 •max. recess depth 105 mm

Recommended miscellaneous



xGRID Attachment set for integrating in the dry wall construction - 12 340 970 90

Required miscellaneous



xGRID Installation track 555 mm - 12 360 970 90

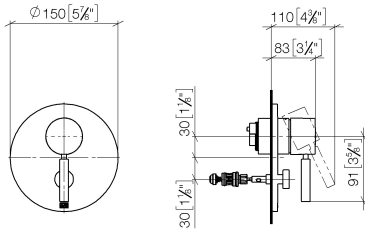
Required miscellaneous



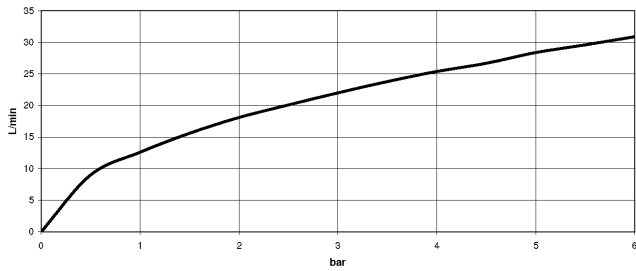
Concealed single-lever mixer - 35 020 970 90
 •min. recess depth 80 mm
 •max. recess depth 105 mm

36 120 660 Product version up to 2/20/2020

mm [inches]



Flow rate chart



Codes & Standards

DIN 4109

EN 817

ISO 3822

Scottish Water
Byelaws

UK Water Supply
Regulations

Ü-Zeichen



Concealed single-lever mixer with diverter - Platinum

SERIES SPECIFIC

36 120 660 Product version up to 2/20/2020

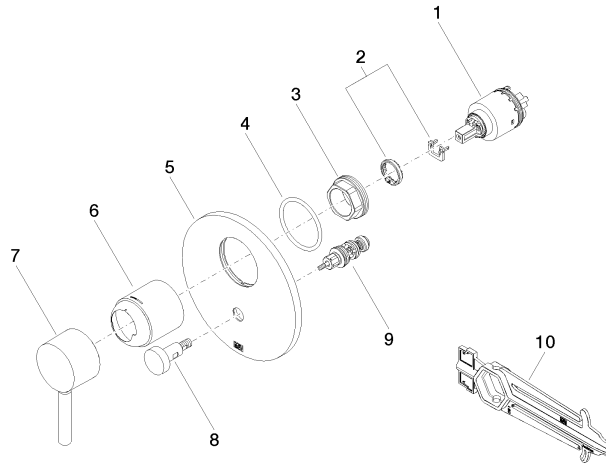
Certificates and sustainability

DVGW_DW-
6512DN0

LGA_19

WRAS_2207

EPD-DOR-20230287
-IBA1-EN
Environmental.prod
uct-declarat



Spare parts list

No.	Item Number	Name	Quantity used	Delivery time
1	90 15 05 038 00 90	Single-lever mixer cartridge -	1.00	-
	Spare part can no longer be ordered, please order the replacement item			
	9015050390090	Cartridge blue Ø 40 x 75 mm -		
3	09 24 04 448 90	Mounting Nut Ø 42 x 17 mm -	1.00	14
5	09 11 02 261-08	Rosette for bath Ø 150 x 9 mm - Platinum	1.00	54
2	04 28 10 149 00 90	Single-lever mixer cartridge -	1.00	14
10	90 30 09 064 00 90	Spanner for cartridge nut -	1.00	14
7	90 20 66 004 00-08	Handle for bath deck mounting Lever 52 x 35 x 117 mm - Platinum	1.00	54
8	90 31 09 139 00-08	Pull rod for diverter with button Ø 26 x 47,3 mm - Platinum	1.00	54
4	09 14 10 084 90	O-Ring EPDM 70 48 x 3,5 mm -	1.00	14
9	90 21 34 081 00 90	Diverter 98 x 64 x 64 mm -	1.00	14
6	09 11 02 260-08	Cover Ø 50 x 58 mm - Platinum	1.00	54