

13 716 809 Product version from 3/13/2017 to 5/27/2021

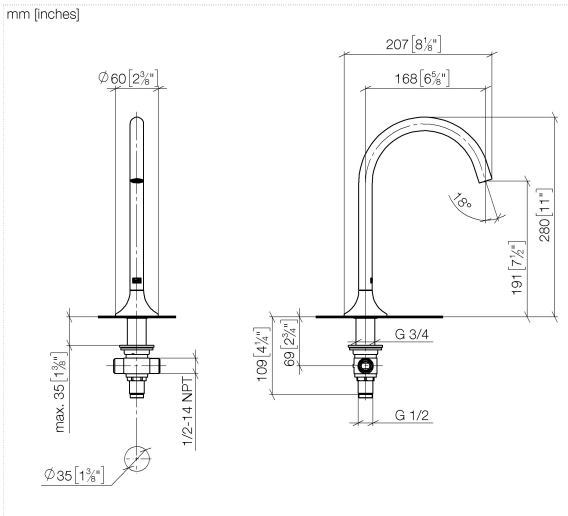


- 168mm projection
- pivotable spout 360°
- circular, air-enriched flow
- height of mixer 280 mm
- height up to aerator 191 mm
- rosette Ø 60 mm
- hole diameter 35 mm
- 2x 1/2" x 1/2" x 400mm high pressure hose
- 1/2" connection
- max. flow 5.7 l/min
- lead-free
- WRAS
- This product can help a building meet the requirements of Green Building Rating Systems, e.g. LEED®, BREEAM®, DGNB

For Touchfree control please order eSet Touchfree with temperature adjustment

	Chrome	13 716 809-00
	Brushed Platinum	13 716 809-06
	Platinum	13 716 809-08
	Dark Chrome	13 716 809-19
	Brushed Light Gold (PVD)	13 716 809-27
	Brushed Durabrass (23kt Gold)	13 716 809-28
	Brushed Gold (PVD)	13 716 809-37
	Brushed Dark Brass (PVD)	13 716 809-39
	Brushed Bronze (PVD)	13 716 809-42
	Brushed Dark Bronze (PVD)	13 716 809-43
	Brushed Champagne (22kt Gold)	13 716 809-46
	Champagne (22kt Gold)	13 716 809-47
	Brushed Dark Platinum	13 716 809-99

13 716 809 Product version from 3/13/2017 to 5/27/2021



Flow rate chart



Codes & Standards

DIN 4109

Executive Order  
no. 1007

ISO 3822

Scottish Water  
Byelaws

UK Water Supply  
Regulations

Ü-Zeichen



## VAIA Deck-mounted basin spout without pop-up waste - Chrome

VAIA

13 716 809 Product version from 3/13/2017 to 5/27/2021

### Certificates and sustainability

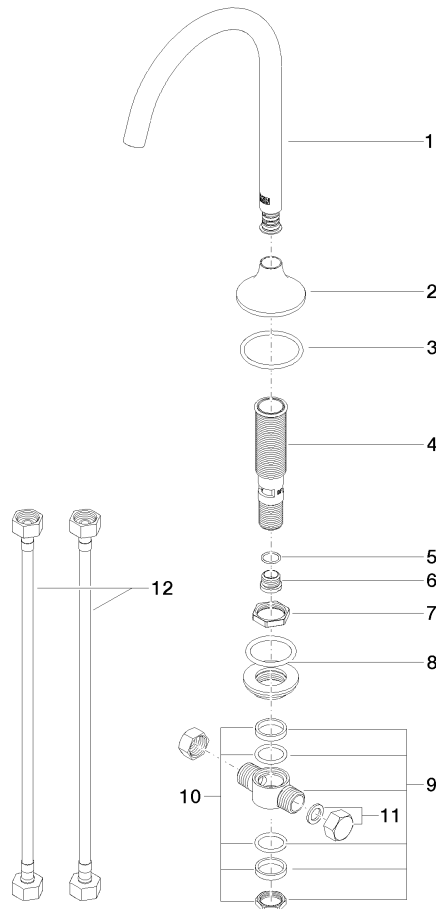
WRAS\_2306

LGA\_29

GDV\_0400

EPD-DOR-20230287  
-IBA1-EN  
Environmental.prod  
uct-declarat

13 716 809 Product version from 3/13/2017 to 5/27/2021



## Spare parts list

No.	Item Number	Name	Quantity used	Delivery time
11	04 21 02 006 00 92	Cap with seal Screw connection 1/2" -	2.00	14
2	09 27 80 011-00	Rosette for spout Ø 60 x 37 mm - Chrome	1.00	20
9	90 17 11 020 10 90	Distributor complete -	1.00	14
3	09 14 10 084 90	O-Ring EPDM 70 48 x 3,5 mm -	1.00	14
6	09 24 04 021 10 90	Nipple Ø 19 x 15 mm -	1.00	14
10	90 23 10 012 00 90	Mounting Distributor, 1/2" + 3/4" -	1.00	14
1	90 28 22 309 00-00	Spout 168 mm, 5,68 l/min. - Chrome	1.00	20
5	09 14 10 017 90	O-Ring EPDM 70 14,0 x 1,5 mm -	1.00	14
7	09 23 10 127 90	Mounting Nut Ø 32,5 x 4 mm -	1.00	14
4	90 30 01 033 00 90	Connection Ø 28 x 126 mm -	1.00	14
8	04 23 10 004 04 90	Mounting with seals Ø 45 mm, 3/4" -	1.00	14
12	04 30 04 096 00 90	High pressure hose with sleeve nut 1/2" x 1/2" x 400 mm	2.00	14