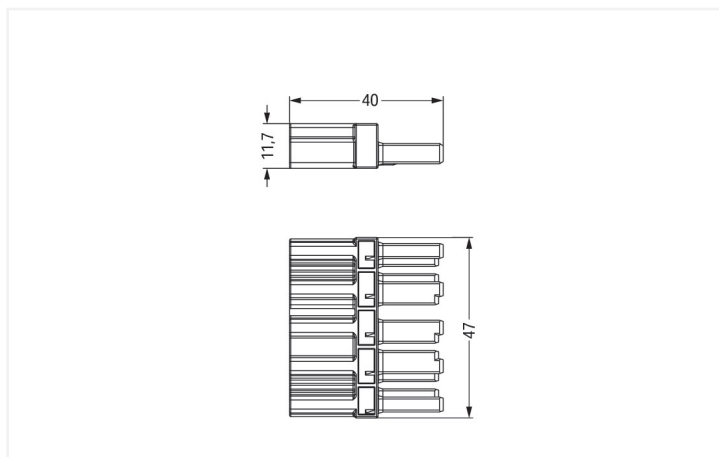
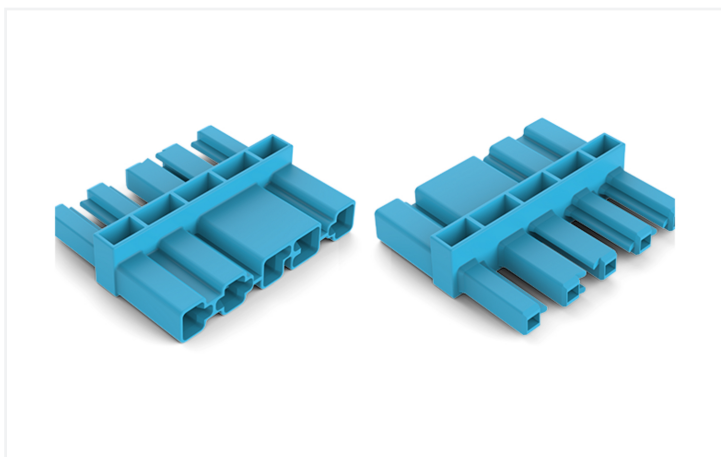


Color: ■ blue



Dimensions in mm

Distribution connector WINSTA® MIDI I coding

For power and signal transmission: The WINSTA® MIDI distribution connector with protection type IP20. Whether on PCBs, in control cabinets or for connecting lights – pluggable installation connectors from WAGO allow you to establish connections according to a huge variety of requirements in next to no time. The coding options reduce installation errors, allowing fast, secure wiring of all components. The pluggable installation connector is protected in accordance with protection type IP20 (When mated: IP2xC (These compact connectors are not designed for use in open, easily accessible areas!)). This means that users' fingers will never come into contact with electrified elements. Regulated lighting equipment, as used with the DALI standard, for instance, is the main application of WINSTA® MIDI pluggable installation connectors with I coding. This pluggable installation connector is designed for a voltage load of up to 25 A. Thus, it can also be used for high power loads. WINSTA® MIDI with Push-in CAGE CLAMP® spring pressure connection technology is found in a broad range of individual products you can use for quick, easy, flexible, and secure electrical installation.

WINSTA® MIDI solutions for your electrical installation – protected against mismatching and maintenance-free

The WINSTA® Pluggable Connection System is perfectly tailored to the strict requirements of building installation. It makes electrical installation pluggable, and consequently more efficient, more reliable, and error-free. Use of this pre-assembled system decreases time spent on assembly and errors during installation at the construction site. Now you can also reduce installation expenses without compromising safety and quality: with protection type IP20 reduces the need for servicing and prevents unnecessary downtime.

- pluggable installation connectors with protection against mismatching
- simple circuits
- with I coding for use in the automation of buildings (lighting control)
- ready for immediate use

- quick replacement of defective units during ongoing operation

Notes

| | |
|------|---|
| Note | At least one snap-in connector WITHOUT a locking lever is required on one side when connecting two lights directly via intermediate coupler. |
|------|---|

Electrical data

| Ratings per | IEC/EN 60664-1 | | | Approvals per | UL 1977 |
|---------------------------------|----------------|-----|----|---------------|---------|
| Overtoltage category | III | III | II | Rated voltage | 600 V |
| Pollution degree | 3 | 2 | 2 | Rated current | 23 A |
| Nominal voltage | 400 V | - | - | | |
| Rated impulse withstand voltage | 6 kV | - | - | | |
| Rated current | 25 A | - | - | | |

General information

| | |
|----------------------------|--|
| Note on contact resistance | approx. 1 mΩ of contact resistance approx. 0.25 mΩ contact transition plug/ socket |
|----------------------------|--|

Connection Data

| | | | |
|----------------------------|---|---------------------|---|
| Total number of potentials | 5 | Connection 1 | |
| | | Pole number | 5 |

Physical data

| | |
|-------------|------------------------|
| Pin spacing | 10 mm / 0.394 inches |
| Width | 47 mm / 1.85 inches |
| Height | 11.6 mm / 0.457 inches |
| Depth | 40 mm / 1.575 inches |

Mechanical data

| | |
|---|---|
| Use | DALI, Lighting Management |
| Coding | I |
| Variable coding | No |
| Marking | plain |
| Mating force of a plug-in connection | Approx. 20 ... 70 N (depending on pole number) |
| Retention force of a plug-in connection | When locked: > 80 N |
| Unmating force of a plug-in connection | Unlocked: approx. 20 ... 70 N (depending on pole number) |
| Number of mating cycles | 200, without resistive load |
| Type of distribution box | Intermediate coupler |
| Protection type | IP20; When mated: IP2xC (These compact connectors are not designed for use in open, easily accessible areas!) |

Plug-in connection

| | |
|-------------------------------|--|
| Mismating protection | Yes |
| Note on mismating protection | All WINSTA® components are 100% protected against mismating when: a.) plugging different numbers of poles b.) plugging while rotated 180 c.) plugging while laterally staggered d.) plugging one pole |
| Locking lever | No |
| Locking of plug-in connection | Locking lever |
| Note on locking system | All connectors for mounted installations (snap-in versions for lighting fixtures or devices, all types of PCB and distribution connectors) are factory-equipped with locking levers to ensure plugs and sockets are securely locked. Additional locking levers are only required for flying leads (plug/socket). |

Material data

| | |
|------------------------------------|--|
| Note (material data) | Information on material specifications can be found here |
| Color | blue |
| Insulation material (main housing) | Polyamide (PA66) |
| Flammability class per UL94 | V0 |
| Contact material | Copper or copper alloy; surface-treated |
| Contact Plating | Tin |
| Fire load | 0.173 MJ |
| Weight | 9.6 g |

Environmental requirements

| | |
|--|--|
| Processing temperature | -5 ... +40 °C |
| Continuous operating temperature | -35 ... +85 °C |
| Note on continuous operating temperature | Insulating parts for temperatures ≤ 105 °C |

Commercial data

| | |
|-----------------------|---------------|
| PU (SPU) | 100 pcs |
| Packaging type | Box |
| Country of origin | DE |
| GTIN | 4044918524179 |
| Customs tariff number | 85366990990 |

Product Classification

| | |
|-------------|----------------------|
| UNSPSC | 39121421 |
| eCl@ss 10.0 | 27-44-06-03 |
| eCl@ss 9.0 | 27-44-06-03 |
| ETIM 9.0 | EC002567 |
| ETIM 10.0 | EC002567 |
| ECCN | NO US CLASSIFICATION |

Environmental Product Compliance

| | |
|------------------------|-------------------------|
| RoHS Compliance Status | Compliant, No Exemption |
|------------------------|-------------------------|

Approvals / Certificates

General approvals **Declarations of conformity and manufacturer's declarations**



| Approval | Standard | Certificate Name |
|---|-----------|------------------|
| CCA DEKRA Certification B.V. | EN 61535 | 71-123228 |
| CCA DEKRA Certification B.V. | IEC 61535 | NL -84761 |
| cURus Underwriters Laboratories Inc. | UL 1977 | E45171 |
| cURus Underwriters Laboratories Inc. | UL 1059 | E 45172 |

| Approval | Standard | Certificate Name |
|--|----------|------------------|
| EU-Declaration of Conformity WAGO GmbH & Co. KG | - | - |

Approvals for marine applications



| Approval | Standard | Certificate Name |
|--|-----------|------------------|
| ABS American Bureau of Shipping | - | 24-0095977-PDA |
| DNV GL Det Norske Veritas, Germanischer Lloyd | - | TAE00001Z6 |
| LR Lloyds Register | IEC 61984 | LR22429487TA |

Downloads




Environmental Product Compliance

| | |
|--|-------------------|
| Compliance Search | |
| Environmental Product Compliance 770-619 | ↓ |

Documentation

| Bid Text | | | |
|----------|------------|-----------------|-------------------|
| 770-619 | 19.02.2019 | xml 2.69 KB | ↓ |
| 770-619 | 10.12.2014 | doc 23.00 KB | ↓ |

CAD/CAE-Data

| CAD data | CAE data |
|--|---|
| 2D/3D Models 770-619  | EPLAN Data Portal 770-619  |
| | WSCAD Universe 770-619  |

1 Compatible Products

1.1 Optional Accessories

1.1.1 Cover

1.1.1.1 Cover



Item No.: 770-201
Lockout cap; 12-pole, separable; for sockets; Plastic; black

Item No.: 770-221
Lockout cap; 12-pole, separable; for sockets; Plastic; white

Item No.: 770-360
Lockout cap; for plugs; 5-pole; separable; yellow