

MEM Wall-mounted single-lever basin mixer without pop-up waste - Brushed Platinum

MEM

36 862 782 Product version from 4/1/2025



- 247mm projection
- fixed spout
- rectangular, air-enriched flow
- hole diameter spout 37 mm
- hole diameter single-lever mixer 57 mm
- rosette for spout 80 x 60mm
- rosette for mixer 80 x 80mm
- max. flow 5.7 l/min
- lead-free
- This product can help a building meet the requirements of Green Building Rating Systems, e.g. LEED®, BREEAM®, DGNB
- WRAS

	Brushed Platinum	36 862 782-06
	Chrome	36 862 782-00
	Platinum	36 862 782-08
	Dark Chrome	36 862 782-19
	Brushed Light Gold (PVD)	36 862 782-27
	Brushed Durabrass (23kt Gold)	36 862 782-28
	Brushed Gold (PVD)	36 862 782-37
	Brushed Dark Brass (PVD)	36 862 782-39
	Brushed Bronze (PVD)	36 862 782-42
	Brushed Dark Bronze (PVD)	36 862 782-43
	Brushed Champagne (22kt Gold)	36 862 782-46
	Champagne (22kt Gold)	36 862 782-47
	Brushed Dark Platinum	36 862 782-99

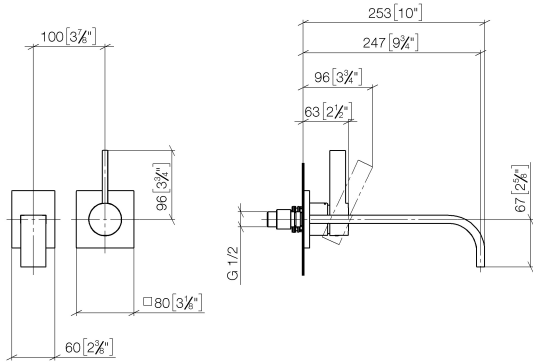
Required miscellaneous



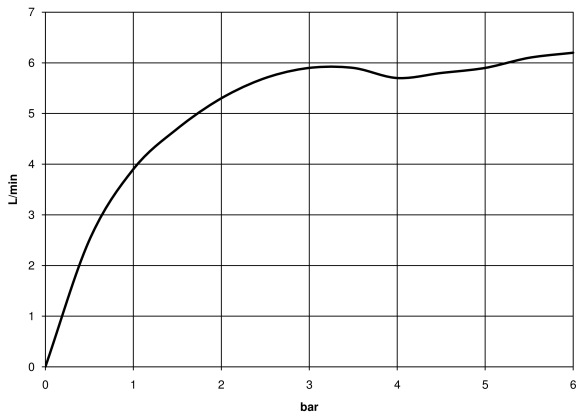
Concealed wall-mounted single-lever mixer - 35 860 970 90

- min. recess depth 75 mm
- max. recess depth 95 mm
- mixer can be placed above, to the left or to the right of the spout.

36 862 782 Product version from 4/1/2025
mm [inches]



Flow rate chart



Codes & Standards

DIN 4109

EN 817

ISO 3822

Scottish Water
Byelaws

UK Water Supply
Regulations

Ü-Zeichen



MEM Wall-mounted single-lever basin mixer without pop-up waste - Brushed Platinum

MEM

36 862 782 Product version from 4/1/2025

Certificates and sustainability

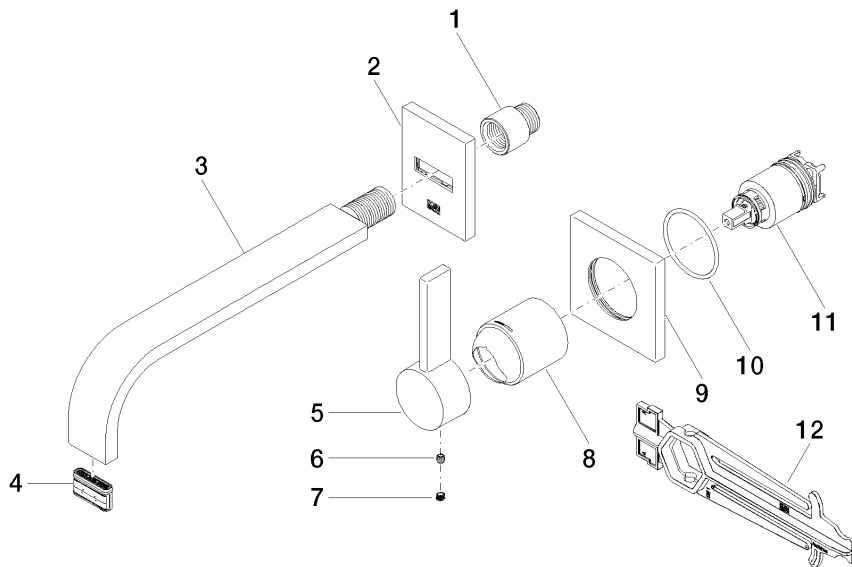
LGA_29

DVGW_DW-
6512DN0

WRAS_2107

EPD-DOR-20230287
-IBA1-EN
Environmental.prod
uct-declarat

36 862 782 Product version from 4/1/2025



Spare parts list

No.	Item Number	Name	Quantity used	Delivery time
11	90 15 05 064 01 90	Single-lever mixer cartridge with adapter plate incl. installation spanner Ø 35 mm x 58,6 mm -	1.00	-
	Spare part can no longer be ordered, please order the replacement item			
	9015050460190	Single-lever mixer cartridge with cartridge insert , torque wrench Ø 35 mm x 58,6 mm -		
2	90 27 78 038 00-06	Cover 80 x 60 x 9 mm - Brushed Platinum	1.00	20
7	90 31 20 109 00 90	Plug -	1.00	14
10	90 14 10 049 00 90	O-Ring 45,69 x 2,62 mm -	1.00	14
8	09 11 02 288-06	Cover Ø 45 x 55 mm - Brushed Platinum	1.00	20
3	04 28 22 148 10-06	Spout 240 x 35 x 11 mm - Brushed Platinum	1.00	20
12	90 30 09 064 00 90	Spanner for cartridge nut -	1.00	14
6	90 31 11 030 00 90	Mounting Threaded pin with hexagon socket with cup point M5 x 5 mm -	1.00	14
4	90 29 03 109 00 90	Aerator insert 5,7 l/min. -	1.00	14
5	09 20 78 058-06	Handle Lever 23 x 26 x 119 mm - Brushed Platinum	1.00	20
9	09 27 78 039-06	Rosette 80 x 80 x 9 x Ø 45,7 mm - Brushed Platinum	1.00	20
1	09 24 03 072 10 90	Extension 1/2" x 20 mm -	1.00	14