

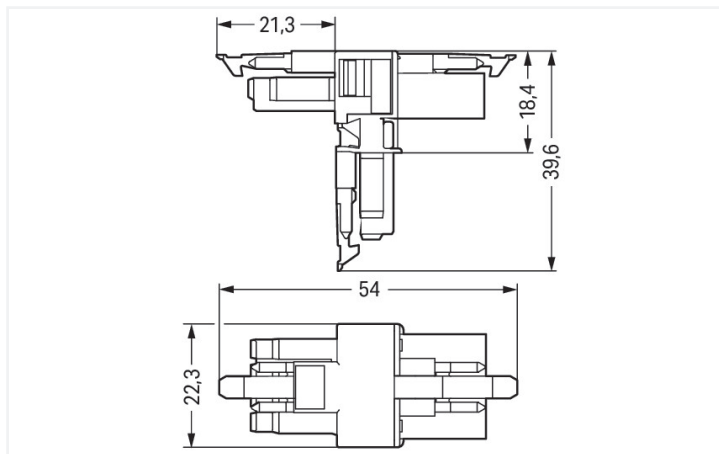
Data Sheet | Item Number: 890-627

T-distribution connector; 4-pole; Cod. A; 1 input; 2 outputs; 3 locking levers; for flying leads; black

<https://www.wago.com/890-627>



Color: ■ black



Dimensions in mm

Distribution connector *WINSTA*® MINI with protection against mismatching

Use effective pluggable connections instead of laborious screw connections: With the *WINSTA*® MINI distribution connector with protection against mismatching. Our pluggable installation connectors with spring pressure connection technology work entirely without screw connections. They allow resource-efficient, error-free installation in numerous possible uses. For greater protection in electrical installations, the pluggable installation connector is provided with mechanical protection against mismatching. General mains applications for almost any domain of use can be implemented with *WINSTA*® MINI pluggable installation connectors with A coding. If only limited space is available, our smallest pluggable connection system, *WINSTA*® MINI, conveniently displays its strengths. It is very compact, and, with Push-in *CAGE CLAMP*® spring pressure connection technology, it also saves time, since the installation is low-maintenance and can be performed without screw connections.

Push-in *CAGE CLAMP*® spring pressure connection technology – pluggable installation instead of laborious screw connections!

The *WINSTA*® Pluggable Connection System allows pluggable electrical installation. This saves time, lowers costs, and reduces the need for servicing. Take advantage of the pluggable version of our maintenance-free spring pressure connection technology too! Plan your installation with with locking lever from WAGO.

- effective protection against mismatching
- consistent IP40 protection
- suitable for any application
- exact dimensions
- quick replacement of defective units during ongoing operation

Electrical data

| Rated voltage | IEC/EN 60664-1 | Approvals per | UL 1977 |
|---------------------------------|----------------|---------------|---------|
| Overvoltage category | III III II | Rated voltage | 600 V |
| Pollution degree | 3 2 2 | Rated current | 12 A |
| Nominal voltage | 400 V - - | | |
| Rated impulse withstand voltage | 6 kV - - | | |
| Rated current | 16 A - - | | |

General information

| | |
|----------------------------|------------------------------------------------------------------------------------------|
| Note on contact resistance | approx. 1 mΩ of contact resistance approx. 0.25 mΩ contact transition plug/ socket |
|----------------------------|------------------------------------------------------------------------------------------|

Connection Data

| | | | |
|----------------------------|----------------------|---------------------|---|
| Total number of potentials | 4 | Connection 1 | |
| PE function | Preceding PE contact | Pole number | 4 |

Physical data

| | |
|-------------|------------------------|
| Pin spacing | 4.4 mm / 0.173 inches |
| Width | 22.3 mm / 0.878 inches |
| Height | 39.6 mm / 1.559 inches |
| Depth | 54 mm / 2.122 inches |

Mechanical data

| | |
|-----------------------------------------|----------------------------------------------------------|
| Use | General mains applications |
| Coding | A |
| Variable coding | No |
| Marking | N ⊕ 2/L 1/L' |
| Potential marking | N ⊕ 2/L 1/L' |
| Mating force of a plug-in connection | Approx. 20 ... 70 N (depending on pole number) |
| Retention force of a plug-in connection | When locked: > 80 N |
| Unmating force of a plug-in connection | Unlocked: approx. 20 ... 70 N (depending on pole number) |
| Number of mating cycles | 200, without resistive load |
| Type of distribution box | T-distribution connector |
| Protection type | IP20; IP40 when mated |
| Suitable | for flying leads |

Plug-in connection

| | |
|-------------------------------|------------------------------------------------------------------------------------------------------------------------------------------------------------------------------------------------------------------------------------------------------------------------------------------------------------------|
| Mismating protection | Yes |
| Note on mismating protection | All WINSTA® components are 100% protected against mismating when: a.) plugging different numbers of poles b.) plugging while rotated 180 c.) plugging while laterally staggered d.) plugging one pole |
| Locking lever | Yes |
| Locking of plug-in connection | Locking lever |
| Note on locking system | All connectors for mounted installations (snap-in versions for lighting fixtures or devices, all types of PCB and distribution connectors) are factory-equipped with locking levers to ensure plugs and sockets are securely locked. Additional locking levers are only required for flying leads (plug/socket). |
| Number of locking levers | 3 |

Material data

| | |
|------------------------------------|--------------------------------------------------------------------------|
| Note (material data) | Information on material specifications can be found here |
| Color | black |
| Material group | I |
| Insulation material (main housing) | Polyamide (PA66) |
| Flammability class per UL94 | V0 |
| Contact material | Copper or copper alloy; surface-treated |
| Contact Plating | Tin |
| Fire load | 0.213 MJ |
| Weight | 10.6 g |

Environmental requirements

| | |
|------------------------------------------|--------------------------------------------|
| Processing temperature | -5 ... +40 °C |
| Continuous operating temperature | -35 ... +85 °C |
| Note on continuous operating temperature | Insulating parts for temperatures ≤ 105 °C |

Commercial data

| | |
|-----------------------|---------------|
| Product Group | 20 (Winsta) |
| PU (SPU) | 25 pcs |
| Packaging type | Box |
| Country of origin | DE |
| GTIN | 4050821229537 |
| Customs tariff number | 85366990990 |

Product Classification

| | |
|-------------|----------------------|
| UNSPSC | 39121406 |
| eCl@ss 10.0 | 27-44-06-03 |
| eCl@ss 9.0 | 27-44-06-03 |
| ETIM 9.0 | EC002567 |
| ETIM 10.0 | EC002567 |
| ECCN | NO US CLASSIFICATION |

Environmental Product Compliance

| | |
|------------------------|-------------------------|
| RoHS Compliance Status | Compliant, No Exemption |
|------------------------|-------------------------|

Approvals / Certificates

General approvals



| Approval | Standard | Certificate Name |
|--------------------------------------------|-----------|------------------|
| CCA DEKRA Certification B.V. | EN 61535 | 71-123231 |
| CCA DEKRA Certification B.V. | IEC 61535 | NL-85020 |
| cURus Underwriters Laboratories Inc. | UL 1977 | E45171 |

Declarations of conformity and manufacturer's declarations

| Approval | Standard | Certificate Name |
|----------------------------------------------------|----------|------------------|
| EU-Declaration of Conformity WAGO GmbH & Co. KG | - | - |
| UK-Declaration of Conformity WAGO GmbH & Co. KG | - | - |

Approvals for marine applications



| Approval | Standard | Certificate Name |
|-------------------------------------------------------|--------------------|-------------------|
| ABS American Bureau of Ship- ping | Steel Vessel Rules | 24-0095973-PDA |
| DNV GL Det Norske Veritas, Ger- manischer Lloyd | - | TAE00001Z6 |
| LR Lloyds Register | EN 61535 | LR23317167TA |
| PRS Polski Rejestr Statków | - | TE/1096/880590/23 |

Downloads

Environmental Product Compliance

Compliance Search

Environmental Product
Compliance 890-627



Documentation

Bid Text

| | | | |
|---------|------------|-----------------|--|
| 890-627 | 19.02.2019 | xml 2.81 KB | |
| 890-627 | 03.12.2014 | doc 22.50 KB | |

CAD/CAE-Data

CAD data

2D/3D Models 890-627



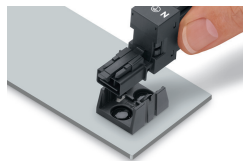
CAE data

WSCAD Universe
890-627



Installation Notes

Installation



Secure the mounting plate via pins.

Subject to changes. Please also observe the further product documentation!

Current addresses can be found at: www.wago.com