

TARA Single-hole basin mixer with pop-up waste - Chrome

TARA

22 302 892 Product version from 6/30/2009 to 5/27/2021

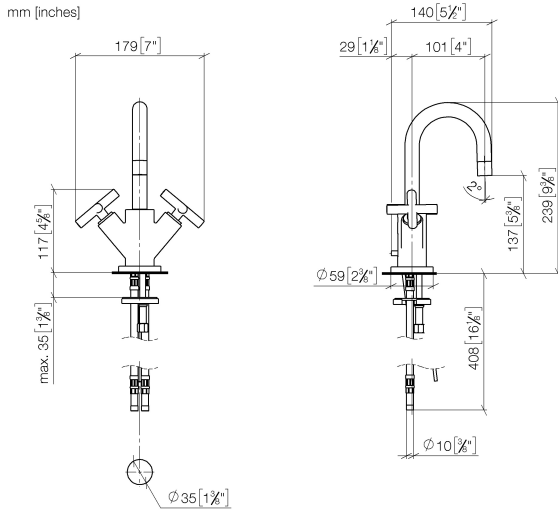


- 100mm projection
- pivotable spout 360°
- circular, air-enriched flow
- height of mixer 235 mm
- height up to aerator 134 mm
- hole diameter 35 mm
- rosette Ø 59 mm
- 2x screw-in M 10 x 1 pressure hose, leak-tested
- max. flow 7 l/min
- lead-free
- This product can help a building meet the requirements of Green Building Rating Systems, e.g. LEED®, BREEAM®, DGNB
- WRAS

Only suitable for basins with an overflow.

	Chrome	22 302 892-00
	Brushed Platinum	22 302 892-06
	Platinum	22 302 892-08
	Dark Chrome	22 302 892-19
	Brushed Durabronze (23kt Gold)	22 302 892-28
	Matte Black	22 302 892-33
	Brushed Gold (PVD)	22 302 892-37
	Brushed Dark Brass (PVD)	22 302 892-39
	Brushed Bronze (PVD)	22 302 892-42
	Brushed Dark Bronze (PVD)	22 302 892-43
	Brushed Champagne (22kt Gold)	22 302 892-46
	Champagne (22kt Gold)	22 302 892-47
	Brushed Chrome	22 302 892-93
	Brushed Dark Platinum	22 302 892-99

22 302 892 Product version from 6/30/2009 to 5/27/2021



Flow rate chart



Codes & Standards

DIN 4109	EN 200	Executive Order no. 1007	ISO 3822
Scottish Water Byelaws	UK Water Supply Regulations	Ü-Zeichen	VA-Zeichen



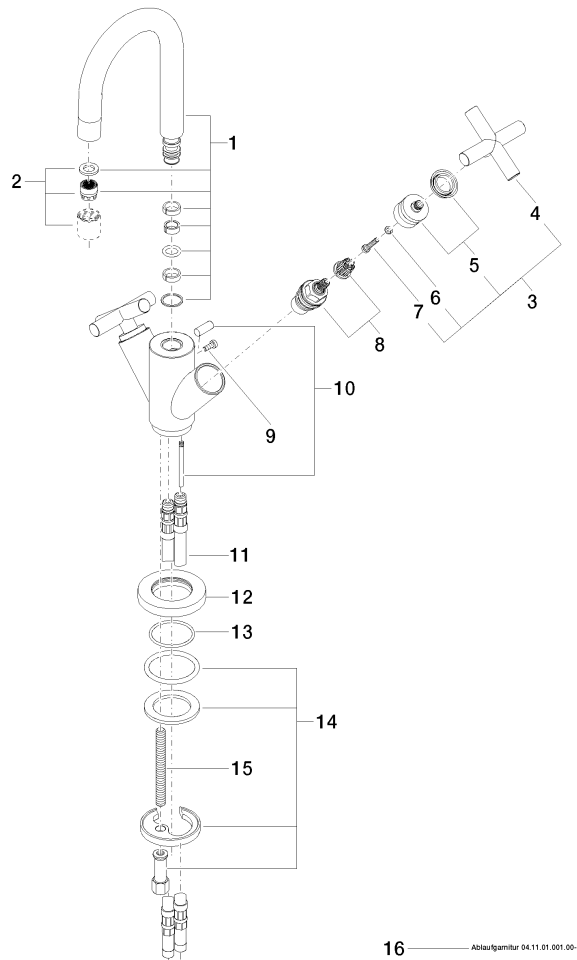
TARA Single-hole basin mixer with pop-up waste - Chrome

TARA

22 302 892 Product version from 6/30/2009 to 5/27/2021

Certificates and sustainability

ETA_18	WRAS_240702	LGA_18	GDV_0400	EPD-DOR-20230287 -IBA1-EN Environmental.prod uct-declarat
--------	-------------	--------	----------	--



Spare parts list

No.	Item Number	Name	Quantity used	Delivery time
	13 09 14 10 134 90	O-Ring 35,2 x 2,2 mm -	1.00	14
	16 90 11 01 001 00-00	Basin Waste - Chrome	1.00	20
	4 09 20 89 010-00	Handle 70 x 70 x 22,5 mm - Chrome	2.00	82
	5 90 12 12 007 00-00	Handle Socket retainer Ø 29 x 26 mm - Chrome	2.00	20
	12 09 28 10 132-00	Rosette Ø 59 x Ø 35 x 9 mm - Chrome	1.00	20
	7 90 30 30 075 00 90	Mounting Cylinder head screw with hexagon socket Low profile M4 x 20 mm -	2.00	14
	3 90 20 89 010 10-00	Handle TARA - Chrome	2.00	20
	8 90 90 03 151 00 90	Head part clockwise closing 1/2" -	2.00	14
	10 04 20 89 035 80-00	Pull rod for pop-up waste with button 64,9 x 399,3 x 7 mm - Chrome	1.00	20
	15 09 31 11 011 90	Mounting Threaded bolt M8 x 80 mm -	1.00	14
	11 04 30 04 016 00 90	High pressure hose M10x1 x 420 mm -	2.00	-
Spare part can no longer be ordered, please order the replacement item				
	0430041040090	High pressure hose M10x1 x 3/8" x 420 mm -		
	6 90 30 11 029 00 90	Connection Spring lock washer Ø 4 -	2.00	14
	14 04 30 11 038 00 90	Mounting with O-ring Ø40 x 4mm Ø 52 x 1,5 mm -	1.00	14
	2 90 23 01 028 03-00	Aerator M18xIG 7,0 l/min. - Chrome	1.00	20
	1 90 28 22 215 01-00	Spout 100 mm, 7 l/min. - Chrome	1.00	20
	9 09 30 30 054 90	Mounting Cylinder head screw with hexagon socket with low profile M4 x 10 mm -	1.00	14