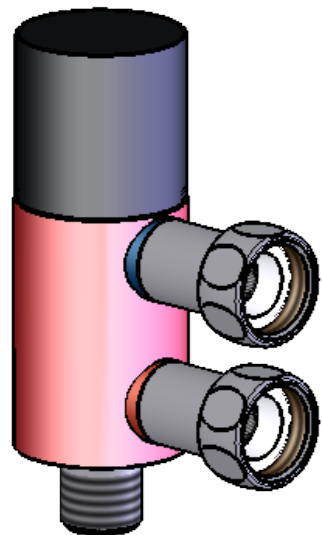
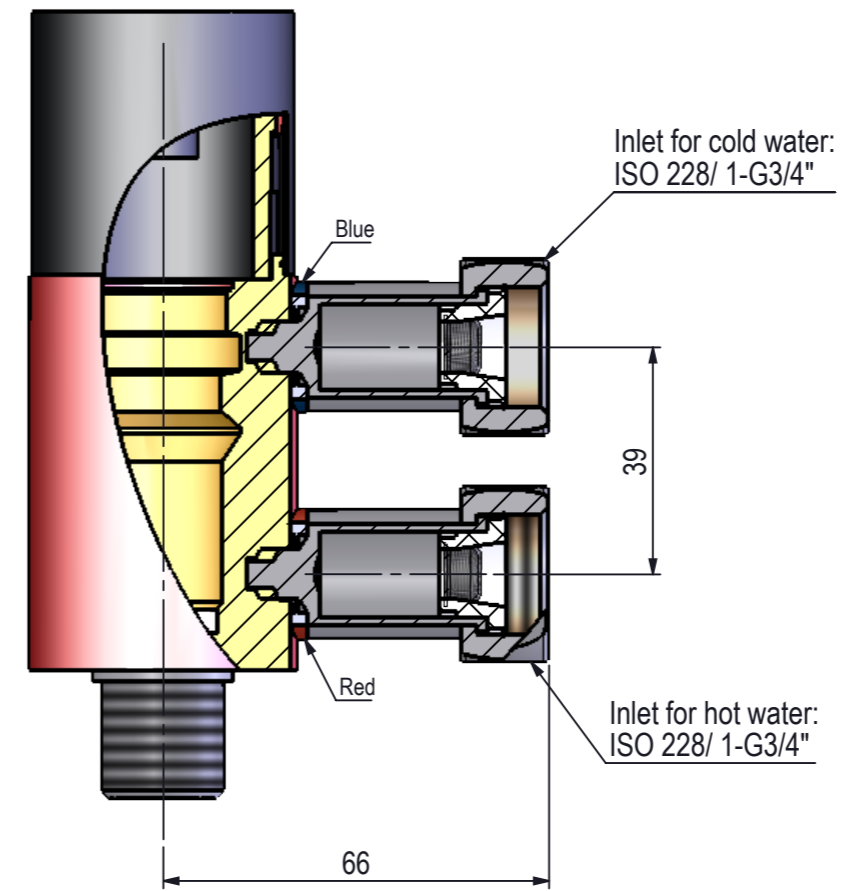
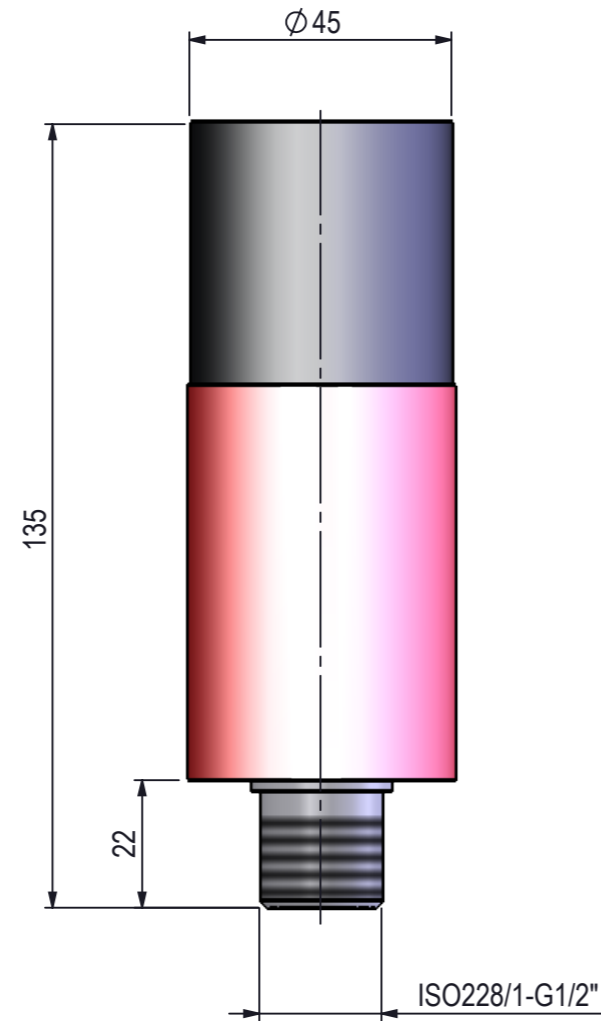


Thermostatic mixing valve
for BROEN-LAB eye showers
Pre-set outlet temperature 20-25°C
Min. working pressure: 1 bar.

Materials in media contact:
Brass
Nickel plated, Brass
PVC



Description:		Thermostatic mixing valve	
Media:		Hot and cold water	
Material:			
Specification:		Temperature Set At 22°	
Comments:		Special edition for Eyeshowers	
Drawing type:		Customer drawing	Weight: 0.276 Kg
All dimensions made with are inspection dimensions			
Unspecified liniar tolerances:		Unspecified angular tolerances:	
ISO2768-C		ISO2768-C	
Designed by:	Drawn by:	Released on TM No.:	Date:
	AAH		04-03-16
Format:	Drawing No.:		17140009C
A3			

Rev.	Pos.	Date	TM No.	Design by	Drawn by:	Change:

BROEN-LAB This drawing is our property and cannot be given to a third party, copied or otherwise used without our permission. BROEN-LAB A/S

