

Concealed single-lever mixer with cover plate - Matte Black

SERIES SPECIFIC

36 060 660 Product version up to 6/29/2020



- cover plate Ø 78 mm
- WRAS

	Matte Black	36 060 660-33
	Chrome	36 060 660-00
	Brushed Platinum	36 060 660-06
	Platinum	36 060 660-08
	Dark Chrome	36 060 660-19
	Light Gold (PVD)	36 060 660-26
	Brushed Light Gold (PVD)	36 060 660-27
	Brushed Durabronze (23kt Gold)	36 060 660-28
	Brushed Gold (PVD)	36 060 660-37
	Brushed Dark Brass (PVD)	36 060 660-39
	Brushed Bronze (PVD)	36 060 660-42
	Brushed Dark Bronze (PVD)	36 060 660-43
	Brushed Champagne (22kt Gold)	36 060 660-46
	Champagne (22kt Gold)	36 060 660-47
	Brushed Chrome	36 060 660-93
	Brushed Dark Platinum	36 060 660-99

Required miscellaneous

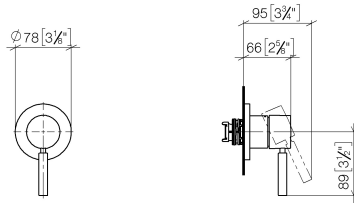


Concealed wall-mounted single-lever mixer - 35 860 970 90

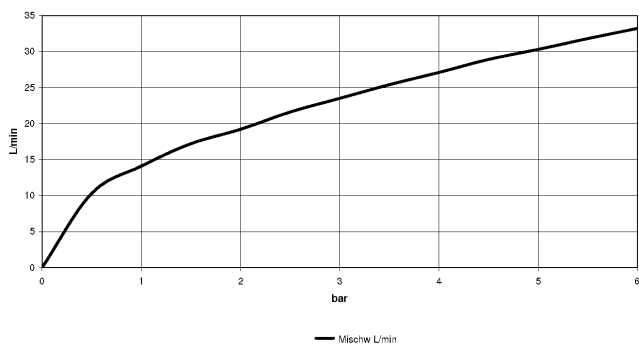
- min. recess depth 75 mm
- max. recess depth 95 mm

36 060 660 Product version up to 6/29/2020

mm [inches]



Flow rate chart



Codes & Standards

DIN 4109

ISO 3822

Scottish Water
Byelaws

UK Water Supply
Regulations

Ü-Zeichen



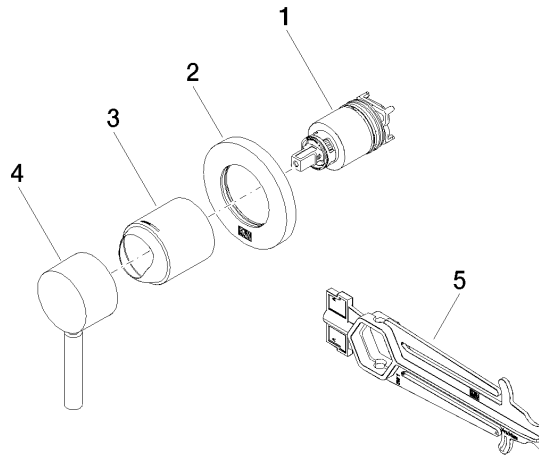
Concealed single-lever mixer with cover plate - Matte Black

SERIES SPECIFIC

36 060 660 Product version up to 6/29/2020

Certificates and sustainability

LGA_29	WRAS_2107	EPD-DOR-20230287 -IBA1-EN Environmental.prod uct-declarat
--------	-----------	--



Spare parts list

No.	Item Number	Name	Quantity used	Delivery time
4	90 20 66 006 00-33	Handle for spray wall mounting Lever - Matte Black	1.00	40
3	09 11 02 293-33	Cover Ø 45 x 55 mm - Matte Black	1.00	82
1	90 15 05 064 01 90	Single-lever mixer cartridge with adapter plate incl. installation spanner Ø 35 mm x 58,6 mm -	1.00	-
	Spare part can no longer be ordered, please order the replacement item			
	9015050460190	Single-lever mixer cartridge with cartridge insert , torque wrench Ø 35 mm x 58,6 mm -		
2	90 27 66 009 00-33	Rosette DB logo Ø 78 x Ø 45,7 x 9 mm - Matte Black	1.00	40
5	90 30 09 064 00 90	Spanner for cartridge nut -	1.00	14