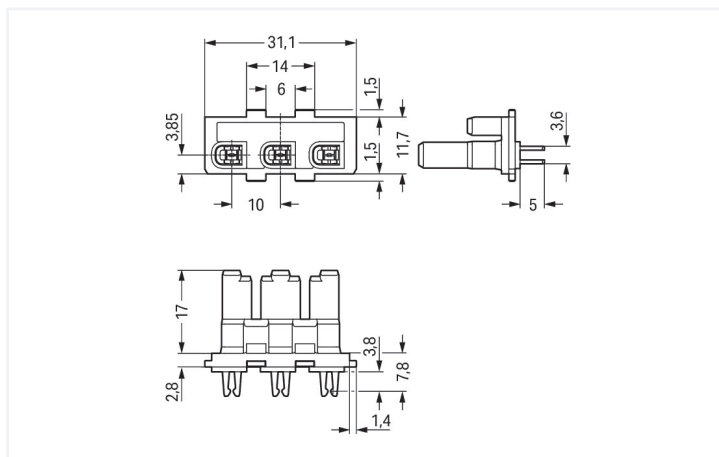


Color: ■ black



Dimensions in mm

#### Female connector/socket WINSTA® MIDI A coding

The WINSTA® MIDI female connector/socket rated current 25 A is the pluggable solution for your application in control cabinets, for lighting connections or on PCBs. WAGO pluggable installation connectors are useful when criteria repeat or are planned on a specified pattern, for example for installing grid lighting or flush-mount lighting. For greater protection in electrical installations, the pluggable installation connector is provided with mechanical protection against mismatching. The pluggable installation connector is protected against ingress by solid objects in accordance with protection type IP20. Thanks to the color coding and mechanical A coding of WINSTA® MIDI pluggable installation connectors, you can clearly distinguish different circuits. This pluggable installation connector is used for electrical currents up to 25 A. Thus the product is especially suitable for high power loads. Our WINSTA® MIDI product line allows flexibility for the installation. With its Push-in CAGE CLAMP® spring pressure connection technology, it ensures error-free, time-saving installation and offers customization and flexibility for meeting all installation requirements.

Push-in CAGE CLAMP® spring pressure connection technology – pluggable installation instead of laborious screw connections!

The WINSTA® Pluggable Connection System is perfectly tailored to the very strict requirements of building installation. It makes electrical installation pluggable, and therefore more efficient, more reliable, and error-free. Using this pre-assembled system decreases assembly times and installation errors at the construction site. Now you can also cut installation expenses without compromising safety and quality: with protection against mismatching eliminates the need for servicing and prevents unnecessary downtime.

- effective protection against mismatching
- simple circuits
- with A coding for a large number of uses
- custom-engineered solutions



- quick replacement of defective units during ongoing operation

Notes	
General safety information	<p><b>NOTICE: Observe installation and safety instructions!</b></p> <ul style="list-style-type: none"> <li>• Nur von Elektrofachkraft oder einer für die Tätigkeit elektrisch unterwiesenen Person (EUP nach DIN VDE 0105-100) anzuwenden!</li> <li>• Nicht unter Spannung/Last installieren!</li> <li>• Nur für bestimmungsgemäßen Gebrauch einsetzen!</li> <li>• Nationale Vorschriften/Normen/Richtlinien beachten!</li> <li>• Technische Daten der Produkte beachten!</li> <li>• Auf die richtige Polbelegung achten!</li> <li>• Keine beschädigten/verschmutzten Komponenten verwenden!</li> <li>• Leiterarten, -querschnitte, Abisolierlängen und Leitungsdurchmesser beachten!</li> <li>• Leiter bis zum Anschlag einführen!</li> <li>• Nur mit Verriegelungsklinke und Zugentlastung verwenden!</li> <li>• Originalzubehör verwenden!</li> </ul> <p><b>To be sold only with installation instructions!</b></p> <p>Application note for the U.S. market (USR): Some versions may also be used for current interruption in accordance with the UL certificate in select applications with currents below 16 A and voltages up to 600 V. For further information, please contact your local sales office.</p>
Safety Information	

Electrical data					
Ratings per	IEC/EN 60664-1			Approvals per	UL 1977
Overvoltage category	III	III	II	Rated voltage	600 V
Pollution degree	3	2	2	Rated current	23 A
Nominal voltage	250 V	-	-		
Rated impulse withstand voltage	4 kV	-	-		
Rated current	25 A	-	-		

General information	
Note on contact resistance	approx. 1 mΩ of contact resistance approx. 0.25 mΩ contact transition plug/socket

Connection Data		
Total number of potentials	3	
		<b>Connection 1</b>
		Pole number 3

Physical data	
Pin spacing	10 mm / 0.394 inches
Width	31.1 mm / 1.224 inches
Height	14.7 mm / 0.579 inches
Depth	25.8 mm / 1.016 inches

### Mechanical data

Use	General mains applications
Coding	A
Variable coding	No
Marking	plain
Mating force of a plug-in connection	approx. 20 ... 70 N (depending on pole number)
Retention force of a plug-in connection	Locked: > 80 N
Unmating force of a plug-in connection	Unlocked: approx. 20 ... 70 N (depending on pole number)
Number of mating cycles	200, without resistive load
Protection type	IP20

### Plug-in connection

Contact type (pluggable connector)	Female connector/socket
Connector (connection type)	for current bar
Mismating protection	Yes
Note on mismating protection	All WINSTA® components are 100% protected against mismating when: a.) plugging different numbers of poles b.) plugging while rotated 180 c.) plugging while laterally staggered d.) plugging one pole
Locking lever	No
Locking of plug-in connection	Locking lever
Note on locking system	All connectors for mounted installations (snap-in versions for lighting fixtures or devices, all types of PCB and distribution connectors) are factory-equipped with locking levers to ensure plugs and sockets are securely locked. Additional locking levers are only required for flying leads (plug/socket).

### Material data

Note (material data)	<a href="#">Information on material specifications can be found here</a>
Color	black
Insulation material (main housing)	Polyamide (PA66)
Flammability class per UL94	V0
Clamping spring material	Chrome-nickel spring steel (CrNi)
Contact material	Copper or copper alloy; surface-treated
Contact Plating	Tin
Fire load	0.058 MJ
Weight	4 g

### Environmental requirements

Processing temperature	-5 ... +40 °C
Continuous operating temperature	-35 ... +85 °C
Note on continuous operating temperature	Insulating parts for temperatures ≤ 105 °C

### Commercial data

Product Group	20 (Winsta)
PU (SPU)	100 pcs
Packaging type	Box
Country of origin	DE
GTIN	4045454500740
Customs tariff number	85366990990

**Product Classification**

UNSPSC	39121402
eCl@ss 10.0	27-44-06-02
eCl@ss 9.0	27-44-06-02
ETIM 9.0	EC002566
ETIM 10.0	EC002566
ECCN	NO US CLASSIFICATION

**Environmental Product Compliance**

RoHS Compliance Status	Compliant, No Exemption
------------------------	-------------------------

**Approvals / Certificates**

**General approvals**      **Declarations of conformity and manufacturer's declarations**



Approval	Standard	Certificate Name
CCA DEKRA Certification B.V.	EN 61535	71-123228
CCA DEKRA Certification B.V.	IEC 61535	NL -84761

Approval	Standard	Certificate Name
EU-Declaration of Confor- mity WAGO GmbH & Co. KG	-	-

**Approvals for marine applications**



Approval	Standard	Certificate Name
ABS American Bureau of Ship- ping	-	24-0095977-PDA
DNV GL Det Norske Veritas, Ger- manischer Lloyd	-	TAE00001Z6
LR Lloyds Register	IEC 61984	LR22429487TA

**Downloads**

**Environmental Product Compliance**

<b>Compliance Search</b>
Environmental Product Compliance 770-408

## Documentation

Bid Text			
770-408	19.02.2019	xml 2.71 KB	<a href="#">↓</a>
770-408	04.12.2014	doc 22.50 KB	<a href="#">↓</a>

## CAD/CAE-Data

CAD data	
2D/3D Models 770-408	<a href="#">↓</a>

CAE data	
EPLAN Data Portal 770-408	<a href="#">↓</a>
WSCAD Universe 770-408	<a href="#">↓</a>
ZUKEN Portal 770-408	<a href="#">↓</a>

## 1 Compatible Products

### 1.1 System counterpart

#### 1.1.1 Cable assembly



**Item No.: 771-9993/206-101**

pre-assembled connecting cable; Eca; Plug/open-ended; 3-pole; Cod. A; H05VV-F 3G 1.5 mm<sup>2</sup>; 1 m; 1,50 mm<sup>2</sup>; black

**Item No.: 771-9993/006-101**

pre-assembled interconnecting cable; Eca; Socket/plug; 3-pole; Cod. A; H05VV-F 3G 1.5 mm<sup>2</sup>; 1 m; 1,50 mm<sup>2</sup>; black

#### 1.1.2 Male connector/plug



**Item No.: 770-418**

Device connector; 3-pole; Cod. A; Plug module with locking lever; Plastic; black

## 1.2 Required Accessories

### 1.2.1 Cover

#### 1.2.1.1 Cover



**Item No.: 770-201**

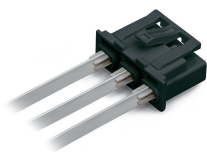
Lockout cap; 12-pole, separable; for sockets; Plastic; black



**Item No.: 770-221**

Lockout cap; 12-pole, separable; for sockets; Plastic; white

## Installation Notes



Device connectors can be cost-effectively installed in appropriate guide slots of a housing. Internal electrical connection is performed by contacting the 0.8 mm thick current bars.