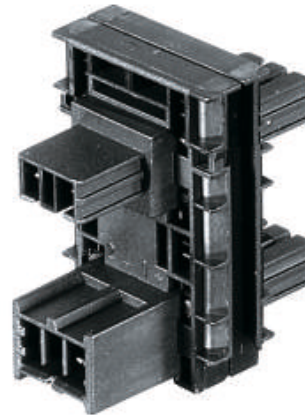


Product data sheet

Item No. 93.430.2453.0

Distributor BST14I3V 3P1 WS



Item No.	93.430.2453.0
EAN	4015573682672
Order Unit	50 Piece(s)

Certificates / Approvals

