

# Presence detector, DALI, EnOcean®, master, 24 m, IP54, for flush mounting, white

350-41780

4 year warranty

This presence detector (DALI daylight control, master) is designed for flush-mounting in ceilings of 2.4 - 3m with integrated EnOcean® receiver. Standalone or as master combinable with a maximum of 10 secondary detectors. All-in-one detector installed in a quick and flexible manner thanks to the addressable DALI bus. Manual control is possible via push button (options: 230 V cabled or wireless with EnOcean® button). For use in offices, schools, government buildings... in large and small spaces. The detector has 2 or 3 daylight controlled zones and 1 or 2 secondary zones with on/off or dimming functionality. The detector is equipped with a potential-free relay contact for control of either light, HVAC or cut-off of voltage to the DALI luminaires.

There are four optional applications:

- mode 1: daylight control in 2 or 3 zones (DALI), 1 or 2 secondary zones (DALI) and the built-in relay contact is used for the switching of HVAC.
- mode 2: daylight control in 2 or 3 zones (DALI) and a 4th zone to switch the lighting on or off via the built-in relay contact.
- mode 3: daylight control in 2 or 3 zones (DALI), 1 or 2 secondary zones (DALI) and the built-in relay contact is used for switching off the 230 V power supply of the control gear (minimum consumption in standby).
- mode 4: daylight control in up to 3 zones for corridors with day/night mode and relay output for HVAC.

The detector is programmed using the (optional) remote control 350-41934. With the (optional) remote control 350-41935 for users, you control the luminaires in the zones simultaneously or separately.

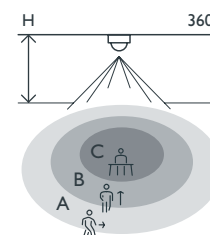
Finishing colour: white

Compatible secondary detectors: 350-41752, 350-41753, 350-41762, 350-41763

- All-in-one solution
- Large detection range of 24 m
- Can be programmed using the IR remote control 350-41934
- Fast, flexible installation thanks to the addressable DALI bus
- Option of manual control via a push button (choice of 230 V cable or wireless with EnOcean button)
- Replacement of a faulty DALI frame without reprogramming
- Two or three daylight control zones
- One or two secondary zones with stop/go or variation functionality



## Detection range



H	A Across	B Towards	C Presence
2 m	∅ 16 m	∅ 10 m	∅ 4 m
2.5 m	∅ 20 m	∅ 12 m	∅ 5 m
3 m	∅ 24 m	∅ 14 m	∅ 6 m



DALI



master



360°



∅ 24 m from a height of 3 m



2 - 3.4 m



flush-mounting

**niko**

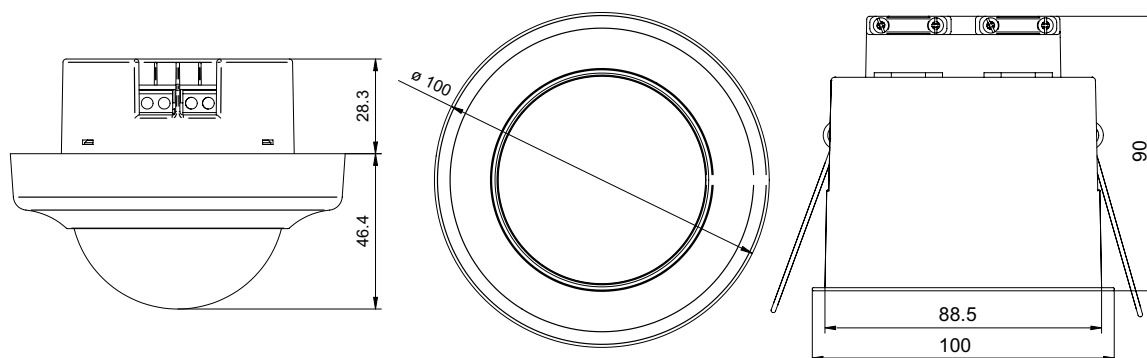
## Technical data

Article number	350-41780
Compatible secondary detectors	350-41752, 350-41753, 350-41762, 350-41763
Input voltage	230 Vac $\pm$ 10 %, 50 Hz
Detector output	DALI Addressable
Maximum MCB rating	10 A (limited by national installation rules)
Relay contact	N.O. (max. 10 A), potential-free
Maximum load incandescent and halogen lamps ( $\cos\phi=1$ )	2300 W
Maximum load economy lamps (CFLi)	350 W
Maximum load LED lamps 230 V	350 W
Maximum load LED driver	500 VA
Maximum load electronic transformer	500 VA
Maximum capacitive load	140 $\mu$ F
Maximum switching current	165 A/20 ms – 800 A/200 $\mu$ s
Light intensity range	100 lux – 2000 lux
Number of channels	1 channel
Maximum number of dimmable zones	4
Switch-off delay	5 min – $\infty$
Detection angle	360 °
Detection range (PIR)	$\varnothing$ 24 m from a height of 3 m
Ambient temperature	-5 – +50 °C
Mounting method	flush-mounting
Mounting height	2 – 3.4 m
Dimensions visible (HxWxD)	100 x 100 x 46.4 mm
Dimensions (HxWxD)	100 x 100 x 136.4 mm
Operating frequency	0.8683 GHz
Maximum radio frequency power	1.4 dBm
Protection degree	IP54
Marking	CE

## Accessories

350-41936	Universal remote control for smartphone
350-41934	IR-remote control for installers
350-41935	IR remote control for users

## Dimensions



## Wiring diagram

