

29 140 892 Product version from 6/30/2015

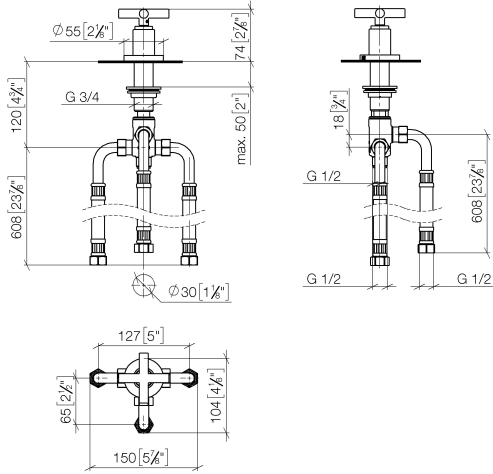


- automatic bath/shower diverter
- hole diameter 32 mm
- rosette Ø 55 mm
- 1/2" connection
- max. flow 64.9 l/min at 3 bar flow pressure
- WRAS

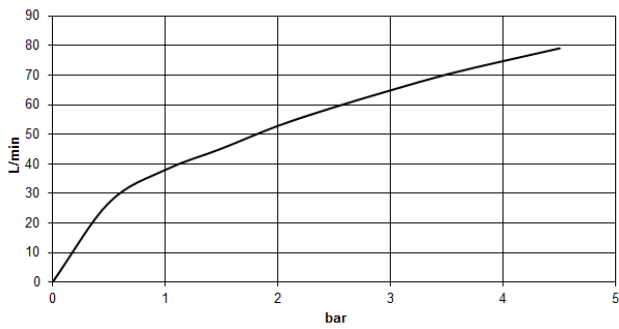
	Chrome	29 140 892-00
	Brushed Platinum	29 140 892-06
	Platinum	29 140 892-08
	Dark Chrome	29 140 892-19
	Brushed Durabronze (23kt Gold)	29 140 892-28
	Matte Black	29 140 892-33
	Brushed Dark Brass (PVD)	29 140 892-39
	Brushed Bronze (PVD)	29 140 892-42
	Brushed Dark Bronze (PVD)	29 140 892-43
	Brushed Champagne (22kt Gold)	29 140 892-46
	Champagne (22kt Gold)	29 140 892-47
	Brushed Chrome	29 140 892-93
	Brushed Dark Platinum	29 140 892-99

29 140 892 Product version from 6/30/2015

mm [inches]



Flow rate chart



Codes & Standards

ASME A112.18.1 cUPC DIN 4109 ISO 3822

Scottish Water Byelaws UK Water Supply Regulations Ü-Zeichen



TARA Two-way diverter for bath rim or tile edge installation - Chrome

TARA

29 140 892 Product version from 6/30/2015

Certificates and sustainability

WRAS_1911

LGA_29

IAPMO_4976

EPD-DOR-20230287
-IBA1-EN
Environmental.prod
uct-declarat

