


36 607 809 Product version from 4/1/2024



- rosette Ø 60 mm
- head part with cut-to-length spindle and sleeve
- WRAS

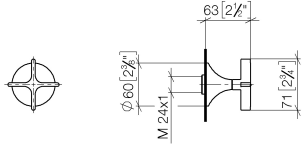
	Brushed Durabronze (23kt Gold)	36 607 809-28
	Chrome	36 607 809-00
	Brushed Platinum	36 607 809-06
	Platinum	36 607 809-08
	Dark Chrome	36 607 809-19
	Brushed Dark Brass (PVD)	36 607 809-39
	Brushed Bronze (PVD)	36 607 809-42
	Brushed Dark Bronze (PVD)	36 607 809-43
	Brushed Champagne (22kt Gold)	36 607 809-46
	Champagne (22kt Gold)	36 607 809-47
	Brushed Dark Platinum	36 607 809-99

Required miscellaneous

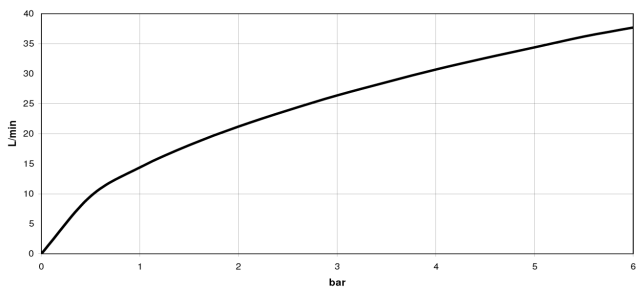
	Wall valve 1/2" - •min. recess depth 75 mm •max. recess depth 145 mm	35 607 970 90
--	---	---------------

36 607 809 Product version from 4/1/2024

mm [inches]



Flow rate chart



Codes & Standards

ASME A112.18.1	cUPC	DIN 4109	EN 1111
EN 200	ISO 3822	Scottish Water Byelaws	UK Water Supply Regulations

Ü-Zeichen



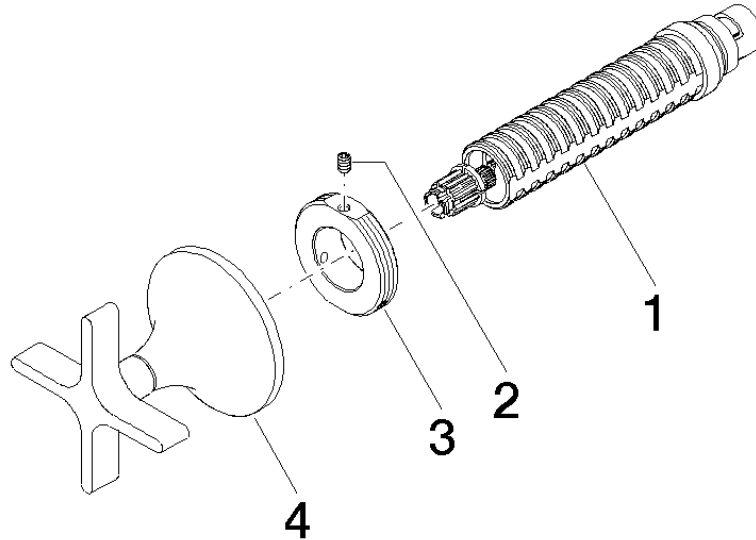
VAIA Wall valve clockwise closing 1/2" - Brushed Durabron (23kt Gold)

VAIA

36 607 809 Product version from 4/1/2024

Certificates and sustainability

WRAS_2011	DVGW_DW-6501DN0	DVGW_DW-6512DN0	LGA_29	WRAS_2010
LGA_29	EPD-DOR-20230287 IAPMO_4976 (-IBA1-EN Environmental.product-declarat			



Spare parts list

No.	Item Number	Name	Quantity used	Delivery time
1	90 90 03 143 00 90	Head part clockwise closing 1/2" -	1.00	14
3	09 21 02 163 90	Mounting Ø 42 x 18 mm -	1.00	14
4	90 20 80 014 00-28	handle	1.00	-
Spare part can no longer be ordered, please order the replacement item				
2	09 31 11 008 90	Mounting Threaded pin with hexagon socket M4 x 6 mm	1.00	14