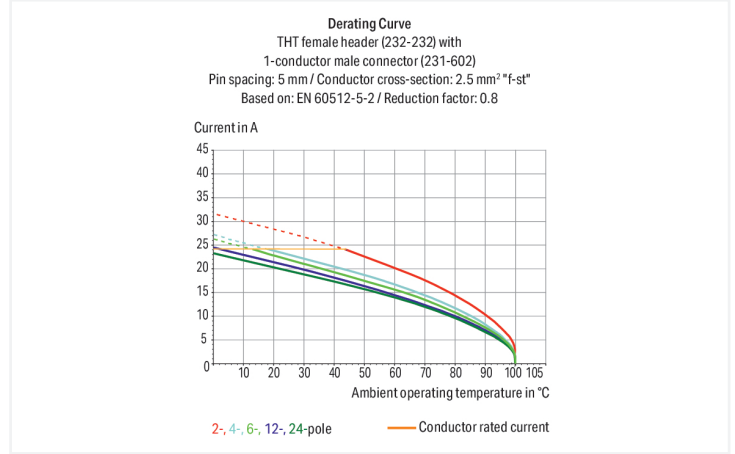
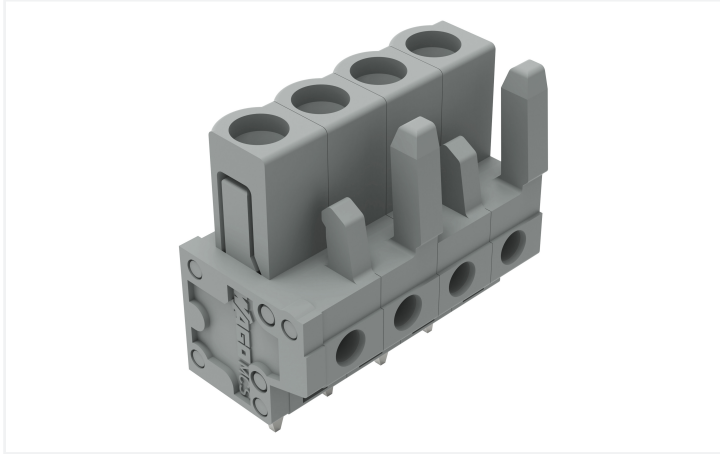


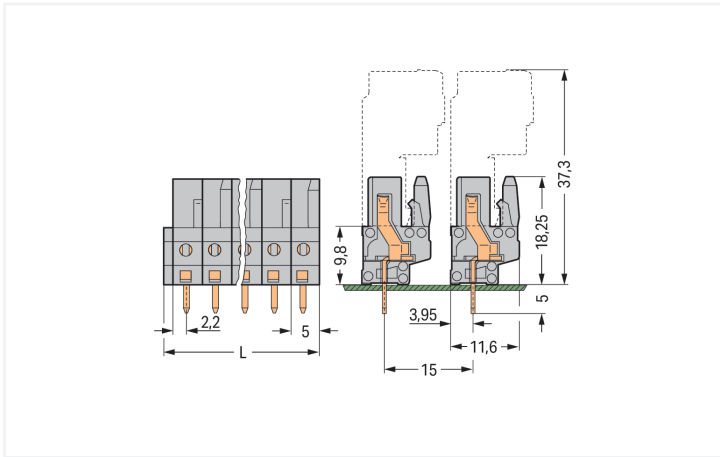
Data Sheet | Item Number: 232-134

THT female header; straight; Pin spacing 5 mm; 4-pole; 0.6 x 1.0 mm solder pin; gray

<https://www.wago.com/232-134>



Color: ■ gray



Dimensions in mm

L = (pole no. x pin spacing) + 1.5 mm 2- to 3-pole female connectors – one latch only

Female connector, 232 Series, with 5 mm pin spacing

Enjoy easy electrical installations with this female connector (item number 232-134). Dimensions: (21.5 x 23.25 x 11.6) mm (width x height x depth).

The contact surface is coated with tin. The pcb connector is designed for THT soldering.

Notes

Safety Information

The MCS – MULTI CONNECTION SYSTEM includes connectors without breaking capacity in accordance with DIN EN 61984. When used as intended, these connectors must not be connected/disconnected when live or under load. When used as intended, these connectors must not be connected/disconnected when live or under load. The circuit design should ensure header pins, which can be touched, are not live when unmated.

Variants:

Other pole numbers
3.8 mm pin projection for male headers with straight solder pins
Gold-plated or partially gold-plated contact surfaces
Other versions (or variants) can be requested from WAGO Sales or configured at <https://configurator.wago.com/>.

Electrical data

| Ratings per | IEC/EN 60664-1 | | |
|---------------------------------|----------------|-------|-------|
| Overvoltage category | III | III | II |
| Pollution degree | 3 | 2 | 2 |
| Nominal voltage | 320 V | 320 V | 630 V |
| Rated impulse withstand voltage | 4 kV | 4 kV | 4 kV |
| Rated current | 12 A | 12 A | 12 A |

| Approvals per | UL 1059 | | |
|---------------|---------|---|-------|
| Use group | B | C | D |
| Rated voltage | 300 V | - | 300 V |
| Rated current | 16 A | - | 10 A |

| Ratings | |
|---------------|---------|
| Approvals per | UL 1977 |
| Rated voltage | 600 V |
| Rated current | 15 A |

| Approvals per | CSA | | |
|---------------|-------|---|-------|
| Use group | B | C | D |
| Rated voltage | 300 V | - | 300 V |
| Rated current | 15 A | - | 10 A |

Connection Data

| | |
|----------------------------|---|
| Clamping units | 4 |
| Total number of potentials | 4 |
| Number of connection types | 1 |
| Number of levels | 1 |

| Connection 1 | |
|--------------|---|
| Pole number | 4 |

Physical data

| | |
|--------------------------------------|--------------------------|
| Pin spacing | 5 mm / 0.197 inches |
| Width | 21.5 mm / 0.846 inches |
| Height | 23.25 mm / 0.915 inches |
| Height from the surface | 18.25 mm / 0.719 inches |
| Depth | 11.6 mm / 0.457 inches |
| Solder pin length | 5 mm |
| Solder pin dimensions | 0.6 x 1 mm |
| Drilled hole diameter with tolerance | 1.3 ^(+0.1) mm |

Mechanical data

| | |
|--------------------------|-----|
| Variable coding | Yes |
| Anti-rotation protection | Yes |

Plug-in connection

| | |
|------------------------------------|-------------------------|
| Contact type (pluggable connector) | Female connector/socket |
| Connector (connection type) | for PCB |
| Mismating protection | No |
| Mating direction to the PCB | 90 ° |

PCB contact

| | |
|-------------------------------------|--|
| PCB contact | THT |
| Solder pin arrangement | over the entire female connector (in-line) |
| Number of solder pins per potential | 1 |

Material data

| | |
|------------------------------------|--|
| Note (material data) | Information on material specifications can be found here |
| Color | gray |
| Material group | I |
| Insulation material (main housing) | Polyamide (PA66) |
| Flammability class per UL94 | V0 |
| Contact material | Copper alloy |
| Contact Plating | Tin |
| Fire load | 0.064 MJ |
| Weight | 3.8 g |

Environmental requirements

| | | |
|-------------------------|-----------------|---|
| Limit temperature range | -60 ... +100 °C | Environmental Testing |
| Processing temperature | -35 ... +60 °C | |
| | | Test specification: Railway applications – Rolling stock – Electronic equipment |
| | | DIN EN 50155 (VDE 0115-200):2022-06 |
| | | Test procedure: Railway applications – Rolling stock equipment – Vibration and shock tests |
| | | DIN EN 61373 (VDE 0115-0106):2011-04 |
| | | Spectrum/Mounting location |
| | | Service life test, Category 1, Class A/B |
| | | Functional test with noise-like oscillations |
| | | Test passed according to Section 8 of the standard |
| | | Frequency |
| | | $f_1 = 5 \text{ Hz}$ to $f_2 = 150 \text{ Hz}$ |
| | | Acceleration |
| | | 0.101g (highest test level used for all axes) |
| | | Test duration per axis |
| | | 10 min. |
| | | Test directions |
| | | X, Y and Z axes |
| | | Monitoring of contact faults and interruptions |
| | | Passed |
| | | Voltage drop measurement before and after each axis |
| | | Passed |
| | | Simulated service life test through increased levels of noise-like oscillations |
| | | Test passed according to Section 9 of the standard |
| | | Frequency |
| | | $f_1 = 5 \text{ Hz}$ to $f_2 = 150 \text{ Hz}$ |
| | | Acceleration |
| | | 0.572g (highest test level used for all axes) |
| | | Test duration per axis |
| | | 5 h |
| | | Test directions |
| | | X, Y and Z axes |
| | | Extended testing: Monitoring of contact faults and interruptions |
| | | Passed |
| | | Extended testing: Voltage drop measurement before and after each axis |
| | | Passed |
| | | Shock test |
| | | Test passed according to Section 10 of the standard |
| | | Shock pulse form |
| | | Half sine |
| | | Acceleration |
| | | 5g (highest test level used for all axes) |
| | | Shock duration |
| | | 30 ms |
| | | Number of shocks (per axis) |
| | | 3 pos. und 3 neg. |
| | | Test directions |
| | | X, Y and Z axes |
| | | Extended testing: Monitoring of contact faults and interruptions |
| | | Passed |
| | | Extended testing: Voltage drop measurement before and after each axis |
| | | Passed |
| | | Vibration and shock stress for rolling stock equipment |
| | | Passed |

Commercial data

| | |
|-----------------------|------------------------|
| Product Group | 3 (Multi Conn. System) |
| PU (SPU) | 100 pcs |
| Packaging type | Box |
| Country of origin | DE |
| GTIN | 4044918578301 |
| Customs tariff number | 85366990990 |

Product Classification

| | |
|-------------|----------------------|
| UNSPSC | 39121409 |
| eCl@ss 10.0 | 27-44-04-02 |
| eCl@ss 9.0 | 27-44-04-02 |
| ETIM 9.0 | EC002637 |
| ETIM 10.0 | EC002637 |
| ECCN | NO US CLASSIFICATION |

Environmental Product Compliance

| | |
|------------------------|-------------------------|
| RoHS Compliance Status | Compliant, No Exemption |
|------------------------|-------------------------|

Approvals / Certificates

General approvals **Declarations of conformity and manufacturer's declarations**



| Approval | Standard | Certificate Name |
|---------------------------------------|-----------|------------------|
| CB DEKRA Certification B.V. | IEC 61984 | NL-113351 |
| CSA DEKRA Certification B.V. | C22.2 | 1466354 |
| KEMA/KEUR DEKRA Certification B.V. | EN 61984 | 71-130478 REV.1 |
| UL Underwriters Laboratories Inc. | UL 1059 | E45172 |
| UR Underwriters Laboratories Inc. | UL 1977 | E45171 |



| Approval | Standard | Certificate Name |
|-------------------------------|----------|------------------|
| Railway WAGO GmbH & Co. KG | - | Railway Ready |

Approvals for marine applications



| Approval | Standard | Certificate Name |
|---|-----------|------------------|
| ABS American Bureau of Ship- ping | - | 24-0095975-PDA |
| DNV DNV GL SE | - | TAE000016Z |
| LR Lloyds Register | IEC 61984 | 96/20035 (E5) |

Downloads

Environmental Product Compliance

Compliance Search

Environmental Product Compliance 232-134



Documentation

Additional Information

Technical Section

03.04.2019

pdf

2027.26 KB



CAD/CAE-Data

CAD data

2D/3D Models 232-134



CAE data

EPLAN Data Portal 232-134



ZUKEN Portal 232-134



PCB Design

Symbol and Footprint via SamacSys 232-134



Symbol and Footprint via Ultra Librarian 232-134



1 Compatible Products

1.1 System counterpart

1.1.1 Male connector/plug



[Item No.: 231-604/019-000](#)

1-conductor male connector; CAGE CLAMP®; 2.5 mm²; Pin spacing 5 mm; 4-pole; clamping collar; gray

[Item No.: 231-604](#)

1-conductor male connector; CAGE CLAMP®; 2.5 mm²; Pin spacing 5 mm; 4-pole; gray

1.2 Optional Accessories

1.2.1 Test and measurement

1.2.1.1 Testing accessories



Item No.: [231-661](#)

Test plugs for female connectors; for 5 mm and 5.08 mm pin spacing; 2,50 mm²; light gray