

## LIV-FIX UR MECH. PL

**Article number:**

8050452777

**EAN-Code:**

8711778229860



In addition to concealed cisterns, we provide elements for various other applications that offer versatile solutions for different construction projects, whether they involve new buildings or renovations, whether in the private or public sector.

Our urinal elements ensure a reliable and efficient installation of the urinal, providing a range of features to meet various requirements.

### INSTALLATION METHOD

Installation in prefabricated walls, pre-wall installation in dry walls, universal installation into solid walls

### PROPERTIES

Supporting, blue powder coated urinal element, square profile 40 x 40 mm with pre-mounted rough installation set

Mechanical valve, closed angle valve and water connection

Pre-mounted fixing elements and flexible support legs (0–200 mm)

Height-adjustable bracket for flushing plate mounting

Height-adjustable bracket with water connection

Height-adjustable bracket for urinal mounting

Height-adjustable and rotating Ø 50 mm drain elbow

### SPECIAL FEATURES

Plastic protective cap and fixing material

Water connection G 1/2

Flushing pressure: 0.12-0.4 Mpa

Flushing volume: continuous 3 ± 1 l

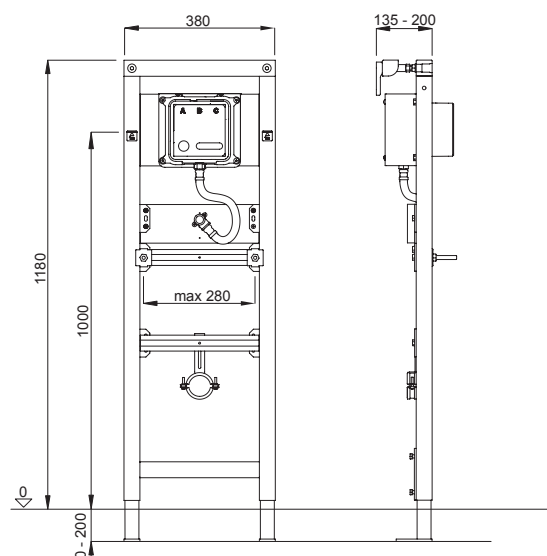
### PRODUCT CONTAINS

Threaded rod M8 (distance up to 280 mm)

All parts required for installation and mounting are supplied with the product

### PACKING

Pallet: 28 Pcs



## FLUSHING PLATES

### VERIA



White



Matt chrome



Gloss chrome

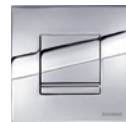
### ARTE



White



Matt chrome



Gloss chrome

METALL  
WhiteMETALL  
Matt chromeMETALL  
Gloss chrome