

**MEM Wall valve clockwise closing 3/4" - Chrome**

MEM

36 608 782 Product version up to 10/27/2020



- rosette 60 x 60 mm
- head part with cut-to-length spindle and sleeve
- WRAS

	Chrome	36 608 782-00
	Brushed Platinum	36 608 782-06
	Platinum	36 608 782-08
	Dark Chrome	36 608 782-19
	Brushed Light Gold (PVD)	36 608 782-27
	Brushed Durabrass (23kt Gold)	36 608 782-28
	Brushed Dark Brass (PVD)	36 608 782-39
	Brushed Bronze (PVD)	36 608 782-42
	Brushed Dark Bronze (PVD)	36 608 782-43
	Brushed Champagne (22kt Gold)	36 608 782-46
	Champagne (22kt Gold)	36 608 782-47
	Brushed Dark Platinum	36 608 782-99

**Required miscellaneous**

- Wall valve 3/4" -** 35 608 970 90
- min. recess depth 105 mm
  - max. recess depth 150 mm

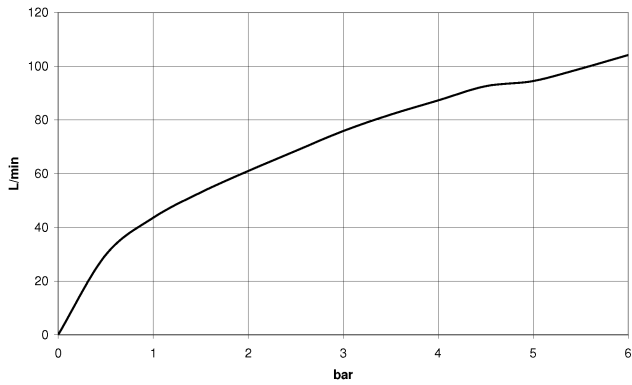


36 608 782 Product version up to 10/27/2020

mm [inches]



**Flow rate chart**



**Codes & Standards**

ASME A112.18.1

cUPC

Scottish Water  
Byelaws

UK Water Supply  
Regulations



## MEM Wall valve clockwise closing 3/4" - Chrome

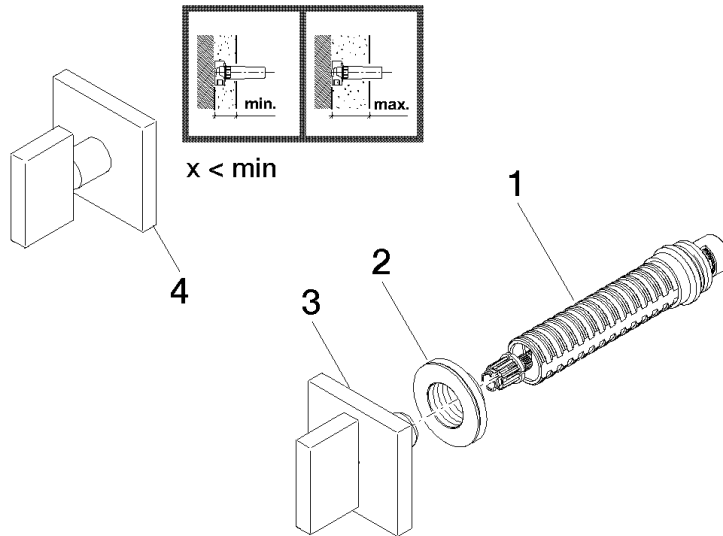
MEM

36 608 782 Product version up to 10/27/2020

### Certificates and sustainability

WRAS_2010	IAPMO_4976 (	EPD-DOR-20230287 -IBA1-EN Environmental.prod uct-declarat
-----------	--------------	--

36 608 782 Product version up to 10/27/2020



**Spare parts list**

No.	Item Number	Name	Quantity used	Delivery time
2	09 21 02 108 90	Sleeve Ø 43,1 x 13 mm -	1.00	-
Spare part can no longer be ordered, please order the replacement item				
	9021021080090	Wall disc complete -		
4	90 20 78 002 01-00	Handle 60 x 60 x 55 mm - Chrome	1.00	20
3	90 20 78 002 02-00	Handle for wall valve 60 x 60 x 75 mm - Chrome	1.00	14
1	90 90 03 127 00 90	Head part clockwise closing 3/4" -	1.00	14