

83 500 892 Product version from 4/1/2024

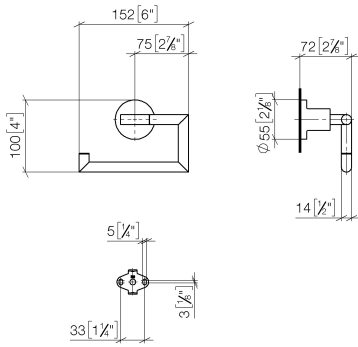


- width 152mm
- height 100 mm
- rosette Ø 55 mm
- 72mm projection

	Matte Black	83 500 892-33
	Chrome	83 500 892-00
	Brushed Platinum	83 500 892-06
	Platinum	83 500 892-08
	Dark Chrome	83 500 892-19
	Brushed Durabronze (23kt Gold)	83 500 892-28
	Brushed Gold (PVD)	83 500 892-37
	Brushed Dark Brass (PVD)	83 500 892-39
	Brushed Bronze (PVD)	83 500 892-42
	Brushed Dark Bronze (PVD)	83 500 892-43
	Brushed Champagne (22kt Gold)	83 500 892-46
	Champagne (22kt Gold)	83 500 892-47
	Brushed Chrome	83 500 892-93
	Brushed Dark Platinum	83 500 892-99

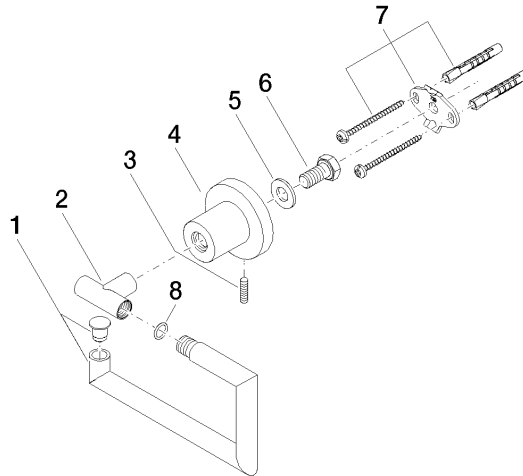
83 500 892 Product version from 4/1/2024

mm [inches]



83 500 892 Product version from 4/1/2024

Parts for other finishes can be found here: [Chrome](#)



### Spare parts list

No.	Item Number	Name	Quantity used	Delivery time
5	09 30 11 046 90	Washer Ø 10,5 -	1.00	14
1	90 28 22 640 00-33	Holder 152 x 80 x 14 mm - Matte Black	1.00	-
Spare part can no longer be ordered, please order the replacement item				
2	05 17 89 552 00-33	Holder for toilet roll holder without cover 31,5 x 14 x 40 mm - Matte Black	1.00	40
4	08 17 89 505-33	Holder universal 60 x 100 x 60 mm - Matte Black	1.00	40
7	05 17 20 739 00 90	Attachment set 150 x 65 x 10 mm -	1.00	14
6	09 30 30 071 90	Mounting Hexagonal bolt with thread as far as head M10 x 20 mm -	1.00	14
3	04 31 11 113 00 90	Mounting Threaded pin M5 x 12 mm -	1.00	14
8	09 14 10 042 90	O-Ring EPDM 70 9,0 x 1,5 mm -	1.00	14