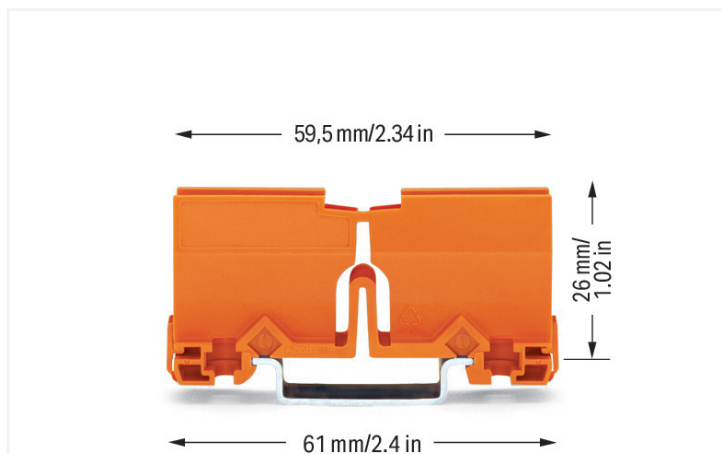


Data Sheet | Item Number: 773-332

Mounting carrier; 773 Series - 2.5 mm² / 4 mm² / 6 mm²; for DIN-35 rail mounting/
screw mounting; orange

<https://www.wago.com/773-332>



Color: ■ orange

Physical data

Width	18 mm / 0.709 inches
Height	61 mm / 2.402 inches
Depth from upper-edge of DIN-rail	26 mm / 1.024 inches

Mechanical data

Mounting type	DIN-35 rail Screw mount
Suitable	for all PUSH WIRE® junction box connectors (773 Series)

Material data

Note (material data)	Information on material specifications can be found here
Color	orange
Material group	I
Insulation material	Polyamide (PA66)
Flammability class per UL94	V0
Fire load	0.255 MJ
Weight	8.5 g

Environmental requirements

Continuous operating temperature	105 °C
----------------------------------	--------

Commercial data	
Product Group	7 (Push Wire Conn.)
eCl@ss 10.0	27-14-11-92
eCl@ss 9.0	27-14-11-92
ETIM 8.0	EC002848
ETIM 7.0	EC002848
PU (SPU)	50 (10) pcs
Packaging type	Box
Country of origin	DE
GTIN	4044918526524
Customs tariff number	39269097900

Environmental Product Compliance	
RoHS Compliance Status	Compliant, No Exemption

Downloads

Environmental Product Compliance

Compliance Search	
Environmental Product Compliance 773-332	↓

Documentation

Bid Text			
773-332	19.02.2019	xml 2.55 KB	↓
773-332	17.05.2017	doc 23.50 KB	↓
ausschreiben.de 773-332			↓

CAD/CAE-Data

CAD data	
2D/3D Models 773-332	↓

CAE data	
EPLAN Data Portal 773-332	↓
WSCAD Universe 773-332	↓
ZUKEN Portal 773-332	↓

1 Compatible Products

1.1 Optional Accessories

1.1.1 Marking

1.1.1.1 Marking strip

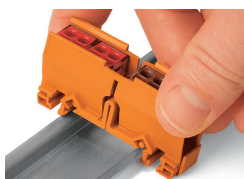


Item No.: 210-834

Marking strips; on reel; 5 mm wide; plain;
Self-adhesive; white

Installation Notes

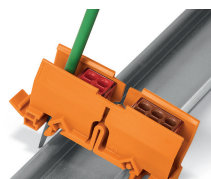
Installation



Snap the mounting carrier onto the DIN-rail.

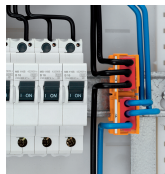


Use the cover as an end plate.



Remove the mounting carrier from the DIN-rail.

Application



A mounting carrier (see accessories) suits applications where the connectors must be marked and secured in position. The DIN-35 rail-mount carrier fits up to two connectors and can also be mounted on a flat surface using two screws.

Using this connector carrier, a large range of wiring applications can be achieved in distribution or junction boxes. To mention just a few: potential multiplication and changing from or to 6 mm² (10 AWG) conductor size.