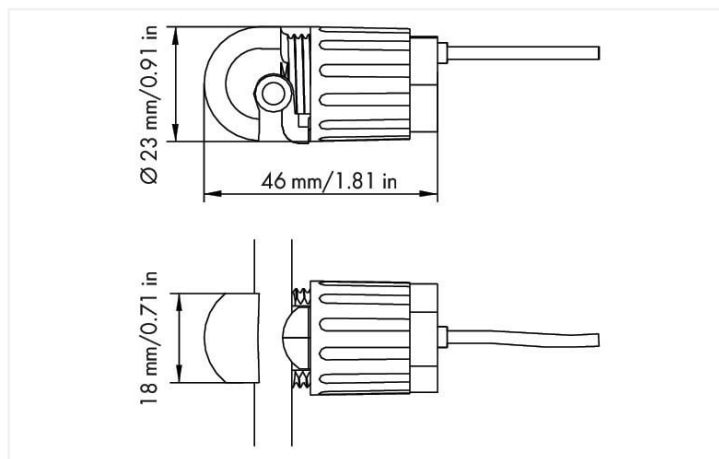


Data Sheet | Item Number: 855-8004

Power tap; without fuse; 10 mm² (8 AWG) - 16 mm² (6 AWG); N-conductor

<https://www.wago.com/855-8004>



Dimensions in mm

Short description:

WAGO's Power Taps (855 Series) easily and safely tap the measurement voltage.

This allows a fuse-protected measurement voltage to be tapped from an insulated conductor with just one turn – no tools required.

Features:

- Safely tap the measurement voltage with just one turn
- Tool-free assembly
- Secure mounting
- Cable length: 3 m

Technical data

Input

Measured variable Voltage

Output – voltage tap

| | |
|---------------------------|-----------------------|
| Continuous current (max.) | 2 A |
| Fuse (voltage path) | - |
| Rated voltage | AC 400 V |
| Voltage drop | ≤ 0.5 V _{AC} |

Safety and protection

| | |
|----------------------|-----------------------|
| Rated surge voltage | 6 kV |
| Overvoltage category | III |
| Pollution degree | 2 |
| Protection type | IP20 |
| Test voltage | AC 3 kV; 50 Hz; 1 min |

Connection data

| | |
|---------------------------------------|--|
| Feedthrough for measurement conductor | 5 ... 7 mm Ø |
| Cable type | Secondary side: 1 x 1.0 mm ² ; flexible; with ferrule |

Connection object type 1

| | |
|-------------------------|---|
| Connection technology | IDC connection |
| Solid conductor | 10 ... 16 mm ² / 8 ... 6 AWG |
| Fine-stranded conductor | 10 ... 16 mm ² / 8 ... 6 AWG |

Physical data

| | |
|--------------|----------------------|
| Cable length | 3 m |
| Width | 23 mm / 0.906 inches |
| Height | 50 mm / 1.969 inches |
| Depth | 23 mm / 0.906 inches |

Mechanical data

| | |
|---------------|---|
| Mounting type | Insulation displacement connection Mounting on insulated round cable |
| Torque range | 1,5 ... 2 Nm |
| Usability | Can be reused several times (max. 24 times) |

Material data

| | |
|------------------|-------|
| Housing material | PA 66 |
| Fire load | 0 MJ |
| Weight | 21 g |

Environmental requirements

| | |
|---------------------------------|-----------------------------------|
| Ambient temperature (operation) | -5 ... +55 °C |
| Ambient temperature (storage) | -20 ... +70 °C |
| Relative humidity | 5 ... 85 % (without condensation) |
| Operating altitude (max.) | 2000 m |

Standards and specifications

| | |
|--------------------------|--------------|
| Conformity marking | CE |
| Standards/specifications | EN 60947-7-1 |

Commercial data

| | |
|-----------------------|-------------|
| eCl@ss 10.0 | 27-14-11-92 |
| eCl@ss 9.0 | 27-14-11-92 |
| ETIM 8.0 | EC002848 |
| ETIM 7.0 | EC002848 |
| PU (SPU) | 10 (1) pcs |
| Packaging type | Box |
| Country of origin | NL |
| Customs tariff number | 85366990990 |

Environmental Product Compliance

| | |
|------------------------|-------------------------|
| RoHS Compliance Status | Compliant, No Exemption |
|------------------------|-------------------------|

Approvals / Certificates

General approvals



| Approval | Standard | Certificate Name |
|---|----------------------------------|---------------------------------|
| EAC Brjansker Zertifizierungs- stelle | TP TC 004/2011,TP TC 020/2011 | EAC RU C-DE.AM02. B.00111/19 |

Downloads

Environmental Product Compliance

Compliance Search

Environmental Product
Compliance 855-8004



Documentation

Bid Text

| | | | |
|----------|------------|------------------|--|
| 855-8004 | 19.02.2019 | xml 4.97 KB | |
| 855-8004 | 20.02.2019 | docx 17.21 KB | |

Instruction Leaflet

| | | |
|-------------------|-----------------|--|
| Potentialabgriffe | pdf 77.71 KB | |
|-------------------|-----------------|--|

1 Compatible Products

1.1 Optional Accessories

1.1.1 Installation

1.1.1.1 Current transformer terminal block



Item No.: 2007-8876

Compact terminal block; for 3-phase cur-
rent transformer circuit; 6,00 mm²; multico-
loured



Item No.: 2007-8873

Compact terminal block; for current and
voltage transformers; 6,00 mm²; multico-
loured



Item No.: 2007-8874

Compact terminal block; for current and
voltage transformers; 6,00 mm²; multico-
loured



Item No.: 2007-8875

Compact terminal block; for current trans-
former circuit; 6,00 mm²; multicoloured



Item No.: 2007-8877

Compact terminal block; for current trans-
former circuit; 6,00 mm²; multicoloured

1.1.2 Signal conditioner

1.1.2.1 Current signal conditioner



Item No.: 857-569

Power signal conditioner; Current and voltage input signal; Current and voltage output signal; Digital output; Configuration via software; Supply voltage: 24 VDC; 6 mm module width

1.1.2.2 Power measurement module



Item No.: 2857-570/024-001

3-Phase Power Measurement Module; 3x277/480 V/1 A; Modbus RTU; Digital output; Configuration via software; Supply voltage: 24 VDC



Item No.: 2857-570/024-005

3-Phase Power Measurement Module; 3x277/480 V/5 A; Modbus RTU; Digital output; Configuration via software; Supply voltage: 24 VDC



Item No.: 2857-570/024-000

3-Phase Power Measurement Module; 3x277/480 V/RC; Modbus RTU; Digital output; Configuration via software; Supply voltage: 24 VDC



Item No.: 857-569

Power signal conditioner; Current and voltage input signal; Current and voltage output signal; Digital output; Configuration via software; Supply voltage: 24 VDC; 6 mm module width

1.1.2.3 Voltage signal conditioner



Item No.: 857-569

Power signal conditioner; Current and voltage input signal; Current and voltage output signal; Digital output; Configuration via software; Supply voltage: 24 VDC; 6 mm module width



Item No.: 857-560

Voltage signal conditioner; Voltage input signal; Current and voltage output signal; Digital output; Configuration via software; Supply voltage: 24 VDC; 6 mm module width

Installation Notes

Installation



Installation on an insulated conductor with insulation displacement connection (IDC)