

Adapter frame with hinged lid suitable for 45 x 45 mm functions in splashproof mounting boxes, grey

700-85000

CE

4 year warranty

This adjustable frame is used to build 45 x 45 mm functions into splashproof mounting boxes. It is suitable for data modules, telephone sockets, audio connections and TV/FM sockets. The adjustable frame is equipped with a hinged protective cover. Colour combination: light grey with dark grey protective cover.

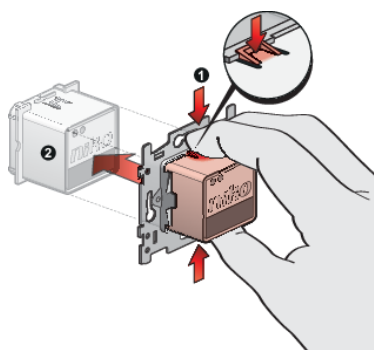


Technical data

Adapter frame with hinged lid suitable for 45 x 45 mm functions in splashproof mounting boxes, grey.

- Colour: grey
- Colour combination: light grey with dark grey protective cover
- Colour RAL (approximately): 7035
- Colour NCS (approximately): frame NCS S 1502 - B, button NCS S 3502 - B
- Surface treatment: coloured in mass
- Number of lenses: 0
- Number of mechanisms: 1
- Material finishing: the adapter frame is made of impact-resistant, dust-resistant, halogen-free and self-extinguishing polypropylene (UL94-V2/1.6 mm). The protection cap is made of rigid ABS
- Markings on the flush-mounting frame: indelibly indicated at the rear side: terminals
- Hermetic seal: the function is designed to be mounted in a splashproof mounting box. The function has an integral closure and is hermetically sealed onto the appropriate box (to be ordered separately)
- Chemical resistance: tested and approved for use in environments with ammonia levels up to 20 ppm
- Protection degree: see protection degree of the mounted function
- Impact resistance: the combination of a Hydro mechanism and a flush- or surface-mounting box has an impact resistance of IK07 with a minimum temperature of -25 °C and a maximum temperature of 55 °C
- Dimensions (HxWxD): 73 mm x 73 mm x 15 mm
- Marking: CE

Dimensions



Wiring diagram

