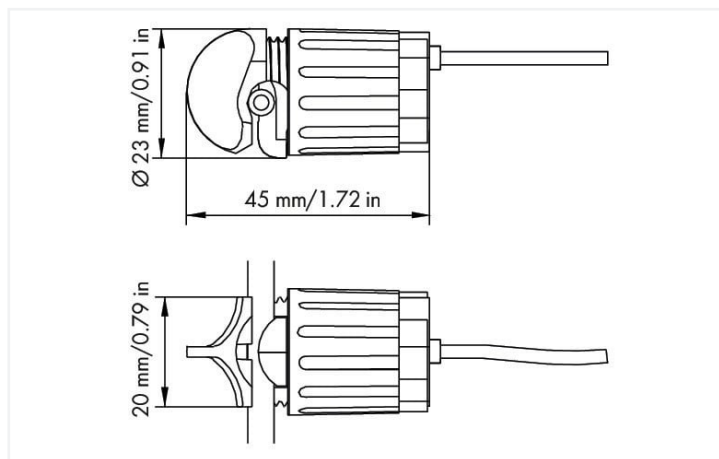


## Data Sheet | Item Number: 855-8002

Power tap; without fuse; 2,5 mm<sup>2</sup> (12 AWG) - 6 mm<sup>2</sup> (10 AWG); N-conductor

<https://www.wago.com/855-8002>



Dimensions in mm

### Short description:

WAGO's Power Taps (855 Series) easily and safely tap the measurement voltage.

This allows a fuse-protected measurement voltage to be tapped from an insulated conductor with just one turn – no tools required.

### Features:

- Safely tap the measurement voltage with just one turn
- Tool-free assembly
- Secure mounting
- Cable length: 3 m

### Technical data

#### Input

Measured variable Voltage

#### Output – voltage tap

Continuous current (max.)	2 A
Fuse (voltage path)	-
Rated voltage	AC 400 V
Voltage drop	≤ 0.5 V <sub>AC</sub>

### Safety and protection

Rated surge voltage	6 kV
Overvoltage category	III
Pollution degree	2
Protection type	IP20
Test voltage	AC 3 kV; 50 Hz; 1 min

### Connection data

Feedthrough for measurement conductor	Ø 3 ... 5 mm
Cable type	Secondary side: 1 x 1.0 mm <sup>2</sup> ; flexible; with ferrule

#### Connection object type 1

Connection technology	IDC connection
Solid conductor	2.5 ... 6 mm <sup>2</sup> / 14 ... 10 AWG
Fine-stranded conductor	2.5 ... 6 mm <sup>2</sup> / 14 ... 10 AWG

### Physical data

Cable length	3 m
Width	23 mm / 0.906 inches
Height	50 mm / 1.969 inches
Depth	23 mm / 0.906 inches

### Mechanical data

Mounting type	Insulation displacement connection Mounting on insulated round cable
Torque range	1,5 ... 2 Nm
Usability	Can be reused several times (max. 24 times)

### Material data

Housing material	PA 66
Fire load	0 MJ
Weight	20 g

### Environmental requirements

Ambient temperature (operation)	-5 ... +55 °C
Ambient temperature (storage)	-20 ... +70 °C
Relative humidity	5 ... 85 % (without condensation)
Operating altitude (max.)	2000 m

### Standards and specifications

Conformity marking	CE
Standards/specifications	EN 60947-7-1

### Commercial data

eCl@ss 10.0	27-14-11-92
eCl@ss 9.0	27-14-11-92
ETIM 8.0	EC002848
ETIM 7.0	EC002848
PU (SPU)	10 (1) pcs
Packaging type	Box
Country of origin	NL
Customs tariff number	85366990990

### Environmental Product Compliance

RoHS Compliance Status	Compliant, No Exemption
------------------------	-------------------------

Approvals / Certificates

General approvals



Approval	Standard	Certificate Name
EAC Brjansker Zertifizierungs- stelle	TP TC 004/2011,TP TC 020/2011	EAC RU C-DE.AM02. B.00111/19

Downloads

Environmental Product Compliance

Compliance Search

Environmental Product  
Compliance 855-8002



Documentation

Bid Text

855-8002	19.02.2019	xml 4.98 KB	
855-8002	20.02.2019	docx 17.11 KB	

Instruction Leaflet

Potentialabgriffe	pdf 77.71 KB	
-------------------	-----------------	--

1 Compatible Products

1.1 Optional Accessories

1.1.1 Installation

1.1.1.1 Current transformer terminal block



**Item No.: 2007-8876**

Compact terminal block; for 3-phase cur-  
rent transformer circuit; 6,00 mm<sup>2</sup>; multi-  
coloured



**Item No.: 2007-8873**

Compact terminal block; for current and  
voltage transformers; 6,00 mm<sup>2</sup>; multico-  
loured



**Item No.: 2007-8874**

Compact terminal block; for current and  
voltage transformers; 6,00 mm<sup>2</sup>; multico-  
loured



**Item No.: 2007-8875**

Compact terminal block; for current trans-  
former circuit; 6,00 mm<sup>2</sup>; multicoloured



**Item No.: 2007-8877**

Compact terminal block; for current trans-  
former circuit; 6,00 mm<sup>2</sup>; multicoloured

## 1.1.2 Signal conditioner

### 1.1.2.1 Current signal conditioner



**Item No.: 857-569**

Power signal conditioner; Current and voltage input signal; Current and voltage output signal; Digital output; Configuration via software; Supply voltage: 24 VDC; 6 mm module width

### 1.1.2.2 Power measurement module



**Item No.: 2857-570/024-001**

3-Phase Power Measurement Module; 3x277/480 V/1 A; Modbus RTU; Digital output; Configuration via software; Supply voltage: 24 VDC



**Item No.: 2857-570/024-005**

3-Phase Power Measurement Module; 3x277/480 V/5 A; Modbus RTU; Digital output; Configuration via software; Supply voltage: 24 VDC



**Item No.: 2857-570/024-000**

3-Phase Power Measurement Module; 3x277/480 V/RC; Modbus RTU; Digital output; Configuration via software; Supply voltage: 24 VDC



**Item No.: 857-569**

Power signal conditioner; Current and voltage input signal; Current and voltage output signal; Digital output; Configuration via software; Supply voltage: 24 VDC; 6 mm module width

### 1.1.2.3 Voltage signal conditioner



**Item No.: 857-569**

Power signal conditioner; Current and voltage input signal; Current and voltage output signal; Digital output; Configuration via software; Supply voltage: 24 VDC; 6 mm module width



**Item No.: 857-560**

Voltage signal conditioner; Voltage input signal; Current and voltage output signal; Digital output; Configuration via software; Supply voltage: 24 VDC; 6 mm module width

## Installation Notes

### Installation



Installation on an insulated conductor with insulation displacement connection (IDC)