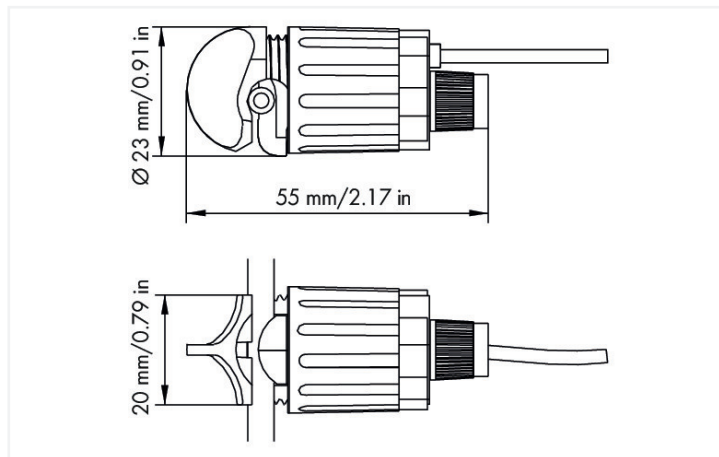
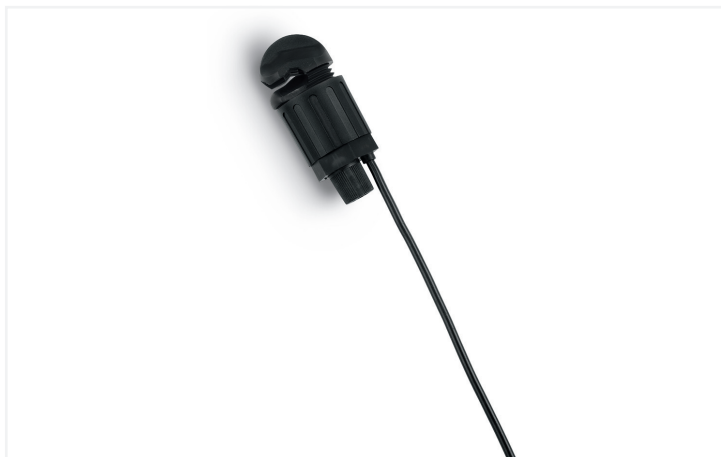


Data Sheet | Item Number: 855-8001

Power tap; with fuse; 2,5 mm² (12 AWG) - 6 mm² (10 AWG); Phase

<https://www.wago.com/855-8001>



Dimensions in mm

Short description:

WAGO's Power Taps (855 Series) easily and safely tap the measurement voltage.

This allows a fuse-protected measurement voltage to be tapped from an insulated conductor with just one turn – no tools required.

Features:

- Safely tap the measurement voltage with just one turn
- Tool-free assembly
- Secure mounting
- Cable length: 3 m

Notes

Note Spare fuse: WAGO 855-8020

Technical data

Input

Measured variable Voltage

Output – voltage tap

Continuous current (max.)	2 A
Fuse (voltage path)	2 A; 450 V; F; 70 kA; 5 x 25 mm (WAGO 855-8020)
Rated voltage	AC 400 V
Voltage drop	≤ 0.5 VAC

Safety and protection

Rated surge voltage	6 kV
Overvoltage category	III
Pollution degree	2
Protection type	IP20
Test voltage	AC 3 kV; 50 Hz; 1 min

Connection data

Feedthrough for measurement conductor	Ø 3 ... 5 mm	Connection object type 1	
Cable type	Secondary side: 1 x 1.0 mm ² ; flexible; with ferrule	Connection technology	IDC connection
		Solid conductor	2.5 ... 6 mm ² / 14 ... 10 AWG
		Fine-stranded conductor	2.5 ... 6 mm ² / 14 ... 10 AWG

Physical data

Cable length	3 m
Width	23 mm / 0.906 inches
Height	59 mm / 2.323 inches
Depth	23 mm / 0.906 inches

Mechanical data

Mounting type	Insulation displacement connection Mounting on insulated round cable
Torque range	1,5 ... 2 Nm
Usability	Can be reused several times (max. 24 times)

Material data

Housing material	PA 66
Fire load	0 MJ
Weight	25.9 g

Environmental requirements

Ambient temperature (operation)	-5 ... +55 °C
Ambient temperature (storage)	-20 ... +70 °C
Relative humidity	5 ... 85 % (without condensation)
Operating altitude (max.)	2000 m

Standards and specifications

Conformity marking	CE
Standards/specifications	EN 60947-7-1

Commercial data

eCl@ss 10.0	27-14-11-92
eCl@ss 9.0	27-14-11-92
ETIM 8.0	EC002848
ETIM 7.0	EC002848
PU (SPU)	10 (1) pcs
Packaging type	Box
Country of origin	NL
Customs tariff number	85366990990

Environmental Product Compliance	
RoHS Compliance Status	Compliant, No Exemption

Approvals / Certificates

General approvals



Approval	Standard	Certificate Name
EAC Brjansker Zertifizierungs- stelle	TP TC 004/2011, TP TC 020/2011	EAC RU C-DE.AM02. B.00111/19

Downloads

Environmental Product Compliance

Compliance Search	
Environmental Product Compliance 855-8001	↓

Documentation

Bid Text			
855-8001	19.02.2019	xml 4.98 KB	↓
855-8001	20.02.2019	docx 17.21 KB	↓

Instruction Leaflet		
Potentialabgriffe	pdf 77.71 KB	↓

CAD/CAE-Data

CAD data	
2D/3D Models 855-8001	↓

1 Compatible Products

1.1 Optional Accessories

1.1.1 Fuse

1.1.1.1 Fuse



Item No.: 855-8020
Miniature fuse; 5 x 25 mm; with indicator

1.1.2 Installation

1.1.2.1 Current transformer terminal block



Item No.: 2007-8876

Compact terminal block; for 3-phase current transformer circuit; 6,00 mm²; multicoloured



Item No.: 2007-8873

Compact terminal block; for current and voltage transformers; 6,00 mm²; multicoloured



Item No.: 2007-8874

Compact terminal block; for current and voltage transformers; 6,00 mm²; multicoloured



Item No.: 2007-8875

Compact terminal block; for current transformer circuit; 6,00 mm²; multicoloured



Item No.: 2007-8877

Compact terminal block; for current transformer circuit; 6,00 mm²; multicoloured

1.1.3 Signal conditioner

1.1.3.1 Current signal conditioner



Item No.: 857-569

Power signal conditioner; Current and voltage input signal; Current and voltage output signal; Digital output; Configuration via software; Supply voltage: 24 VDC; 6 mm module width

1.1.3.2 Power measurement module



Item No.: 2857-570/024-001

3-Phase Power Measurement Module; 3x277/480 V/1 A; Modbus RTU; Digital output; Configuration via software; Supply voltage: 24 VDC



Item No.: 2857-570/024-005

3-Phase Power Measurement Module; 3x277/480 V/5 A; Modbus RTU; Digital output; Configuration via software; Supply voltage: 24 VDC



Item No.: 2857-570/024-000

3-Phase Power Measurement Module; 3x277/480 V/RC; Modbus RTU; Digital output; Configuration via software; Supply voltage: 24 VDC



Item No.: 857-569

Power signal conditioner; Current and voltage input signal; Current and voltage output signal; Digital output; Configuration via software; Supply voltage: 24 VDC; 6 mm module width

1.1.3.3 Voltage signal conditioner



Item No.: 857-569

Power signal conditioner; Current and voltage input signal; Current and voltage output signal; Digital output; Configuration via software; Supply voltage: 24 VDC; 6 mm module width



Item No.: 857-560

Voltage signal conditioner; Voltage input signal; Current and voltage output signal; Digital output; Configuration via software; Supply voltage: 24 VDC; 6 mm module width

Installation Notes

Installation



Installation on an insulated conductor with insulation displacement connection (IDC)



Integrated SIBA fuse to protect equipment and conductor

Subject to changes. Please also observe the further product documentation!

Current addresses can be found at: www.wago.com