

28 450 410 Product version up to 7/6/2018



- 1/2" shower outlet
- rosette Ø 55 mm
- 1/2" connection
- WRAS

Intrinsic protection against back flow.

	Chrome	28 450 410-00
	Brushed Platinum	28 450 410-06
	Platinum	28 450 410-08
	Durabrand (23kt Gold)	28 450 410-09
	Brushed Durabrand (23kt Gold)	28 450 410-28
	Brushed Gold (PVD)	28 450 410-37
	Brushed Dark Brass (PVD)	28 450 410-39
	Brushed Bronze (PVD)	28 450 410-42
	Brushed Dark Bronze (PVD)	28 450 410-43
	Brushed Dark Platinum	28 450 410-99

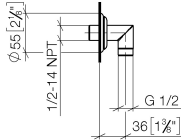
Recommended miscellaneous

- Concealed wall elbow -** 35 085 970 90
- min. recess depth 90 mm
 - max. recess depth 163 mm

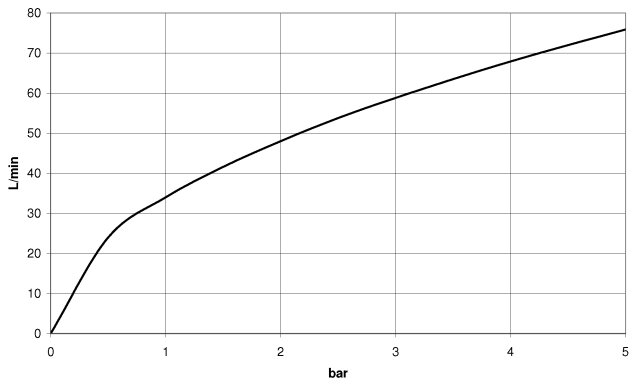


28 450 410 Product version up to 7/6/2018

mm [inches]



Flow rate chart



Codes & Standards

EN 1717

Scottish Water
Byelaws

UK Water Supply
Regulations



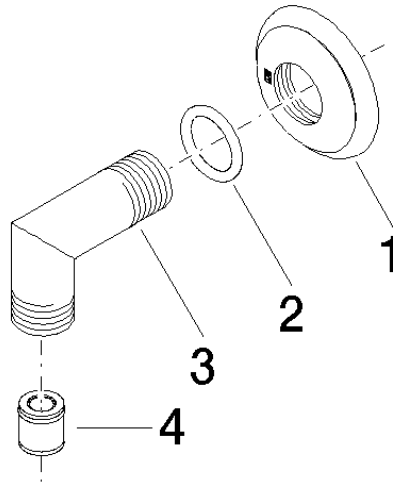
MADISON Wall elbow - Chrome

MADISON

28 450 410 Product version up to 7/6/2018

Certificates and sustainability

Belgaqua_21-381-2 WRAS_240502



Spare parts list

No.	Item Number	Name	Quantity used	Delivery time
2	90 14 10 026 00 90	O-Ring 20,5 x 3,5 mm -	1.00	14
4	90 23 01 141 00 90	Back-flow preventer -	1.00	14
3	09 11 03 121-00	Connection 1/2" 61,5 x 42,5 x 21 mm - Chrome	1.00	20
1	09 27 35 003-00	Rosette Ø 55 x Ø 27 x 10 mm - Chrome	1.00	20