

# Technische Daten/ Technical Data

KLUDI LOGO  
hand shower 3 S  
DN 15

Ref.: 6830039-00

Finishes:  
39 matt black

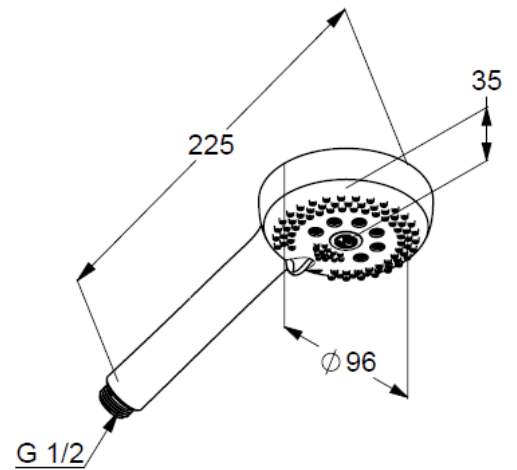
Product description  
Manufacturer KLUDI GmbH & Co. KG  
Typ: KLUDI LOGO  
hand shower 3 S  
Ref.: 6830039-00

hand shower 3 S  
3 spray pattern  
volume/booster/smooth  
with cleaning system  
connection G1/2  
sieve seal

## Produktabbildung/ Product picture



## Maßzeichnung/ Dimensional drawing



## Durchfluss/ Flow rate

