

## Technische Daten/ Technical Data

KLUDI-DIVE X  
hand shower 1 S  
DN 15

Ref.: 6981039-00

Finishes:  
39 matt black

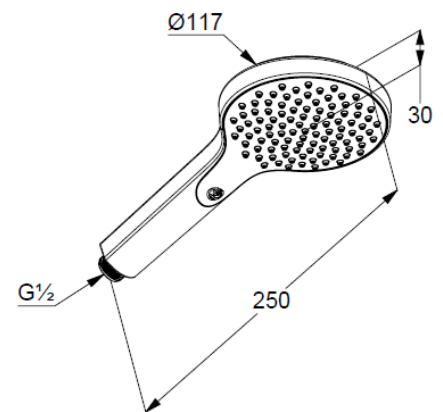
Product description  
Manufacturer KLUDI GmbH & Co. KG  
Typ: KLUDI-DIVE X  
hand shower 1 S  
Ref.: 6981039-00

hand shower 1 S  
flow rate at 3 bar 15 l/min.  
(with possibility of limiting to 9 l/min.)  
1 spray pattern  
with cleaning system  
connection G1/2  
sieve seal

### Produktabbildung/ Product picture



### Maßzeichnung/ Dimensional drawing



### Durchfluss/ Flow rate

