

Rogowski coil

The ELEQ Rogowski coils are flexible current transformers based on the Rogowski principle. Due to its specific features, a Rogowski coil is an excellent solution for current measurement and can be used in a wide range of applications where traditional current transformers are not the adequate solution due to size, weight or difficult mounting. Because of its construction the coil can be placed around existing conductors. The coil is safe to use due to the insulation class and low output voltage. ELEQ Rogowski coils have a wide range without saturation. If necessary the Multiscale Rogowski integrator is available.



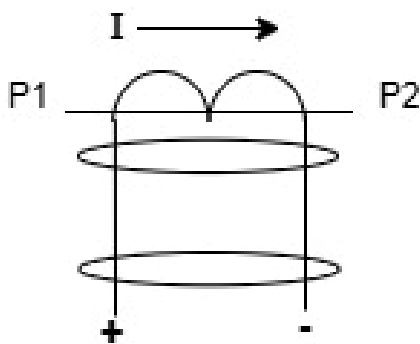
Technical Specifications

Environmental conditions	
This product is designed to be safe under the following conditions:	
Location:	Indoor use
Operating temperature:	- 5°C to +55°C
Storage temperature:	- 35°C to +60°C
Altitude:	Max. 2000 m above sea-level
Protection degree:	IP41
Application conditions	
Standard:	IEC 61869-10:2017
Rated short-time thermal current (I _{th}):	45 kA/1 s
Rated insulation level:	0.72/3/- kV
Nominal output rate (RMS values):	1000 A /100 mV @ 50 Hz
Rated continuous thermal current:	3000 A
Accuracy:	Class 1-A1 @ 50 Hz
Class of insulation:	E
Frequency:	10 Hz – 10.000 Hz
Overvoltage category:	1000 V CAT III, 600 V CAT IV
Pollution degree:	3
Cable length:	3 m

Ordering Specifications

Article number	Ratio	Internal diameter (mm)	Class ...A1
6C4C10F	1000 A /100 mV	70	1

Wiring Diagram



Dimensions

