

28 649 670 Product version from 3/13/2017



- rain shower Ø 220 mm
- Rain shower material: metal
- PURE RAIN, max. flow rate 14 l/min (at 3 bar)
- Function from: 7 l/min
- quick clearing
- with anti-scale system

**technical data:**

- 450mm projection
- rosette 65 x 65 mm
- 1/2" connection

**Notes:**

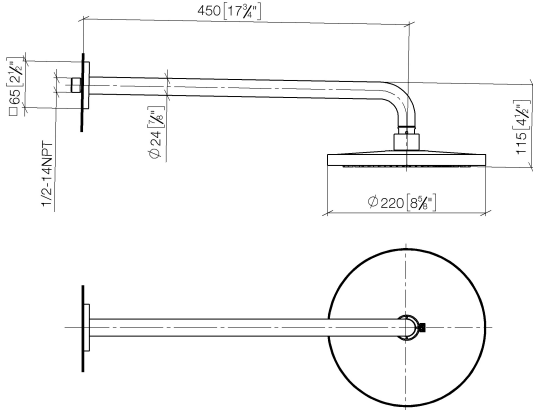
**Recommended miscellaneous**



- Concealed wall elbow -** 35 085 970 90
- min. recess depth 90 mm
  - max. recess depth 163 mm

28 649 670 Product version from 3/13/2017

mm [inches]



Flow rate chart



Codes & Standards

DIN 4109

ISO 3822

Scottish Water  
Byelaws

UK Water Supply  
Regulations

Ü-Zeichen



## Rainshower with wall fixing 220 mm - Brushed Durabron (23kt Gold)

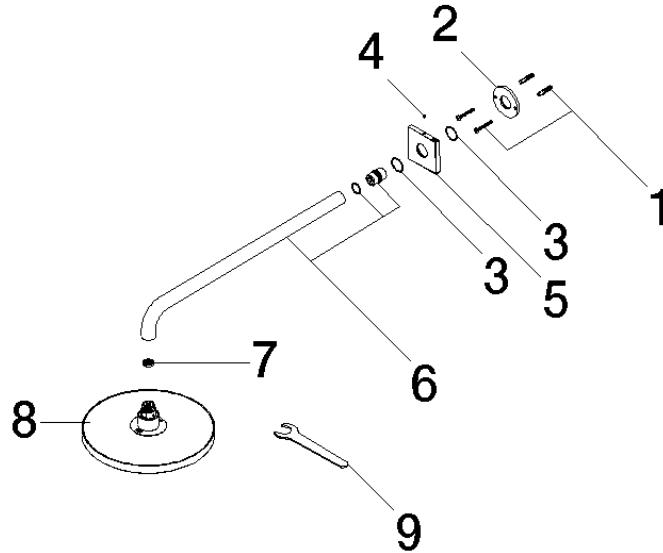
SERIES SPECIFIC

28 649 670 Product version from 3/13/2017

Certificates and sustainability

LGA\_38

WRAS\_2212



Spare parts list

No.	Item Number	Name	Quantity used	Delivery time
	3 09 14 10 150 90	O-Ring 23 x 1,5 mm -	2.00	14
	6 90 11 03 070 00-28	Pipe 462 x 61 x 24 mm - Brushed Durabron (23kt Gold)	1.00	40
	9 90 30 09 069 00 90	Spanner -	1.00	14
	7 09 23 01 075 90	Sieve seal Ø 18 x 3,5 mm -	1.00	14
	8 04 12 05 092 00-28	Rainshower round Ø 220 mm - Brushed Durabron (23kt Gold)	1.00	40
	2 09 17 20 120 90	Connection Ø 56,50 x 5 mm -	1.00	14
	1 04 30 31 032 00 90	Attachment set Bolt 4 x 35 mm -	1.00	14
	5 09 27 67 015-28	Rosette 65 x 65 x 9 mm - Brushed Durabron (23kt Gold)	1.00	40
	4 90 31 11 038 00 90	Mounting Threaded pin with hexagon socket with cup point M4 x 3 mm -	1.00	14