

## Technische Daten/ Technical Data

KLUDI  
hand shower 1 S  
DN 15

Ref.: 39120N1-00

Finishes:  
N1 Brushed Bronze PVD

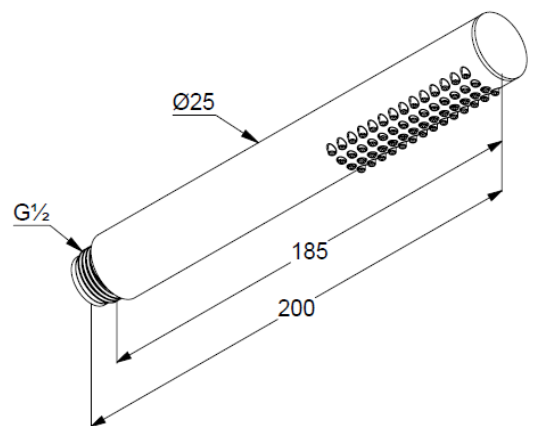
Product description  
Manufacturer KLUDI GmbH & Co. KG  
Typ: KLUDI  
hand shower 1 S  
Ref.: 39120N1-00

hand shower  
1 spray pattern  
with cleaning system  
connection G1/2  
sieve seal

### Produktabbildung/ Product picture



### Maßzeichnung/ Dimensional drawing



### Durchfluss/ Flow rate

